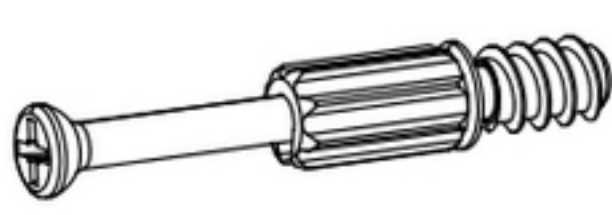



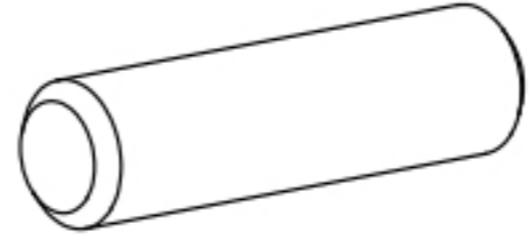
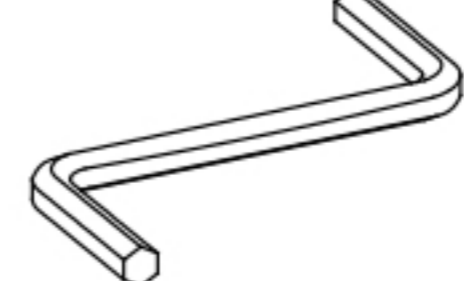




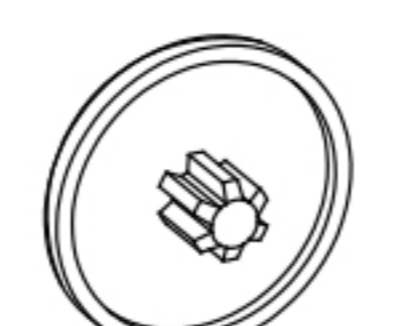
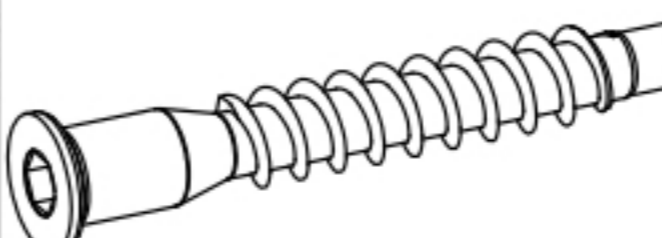

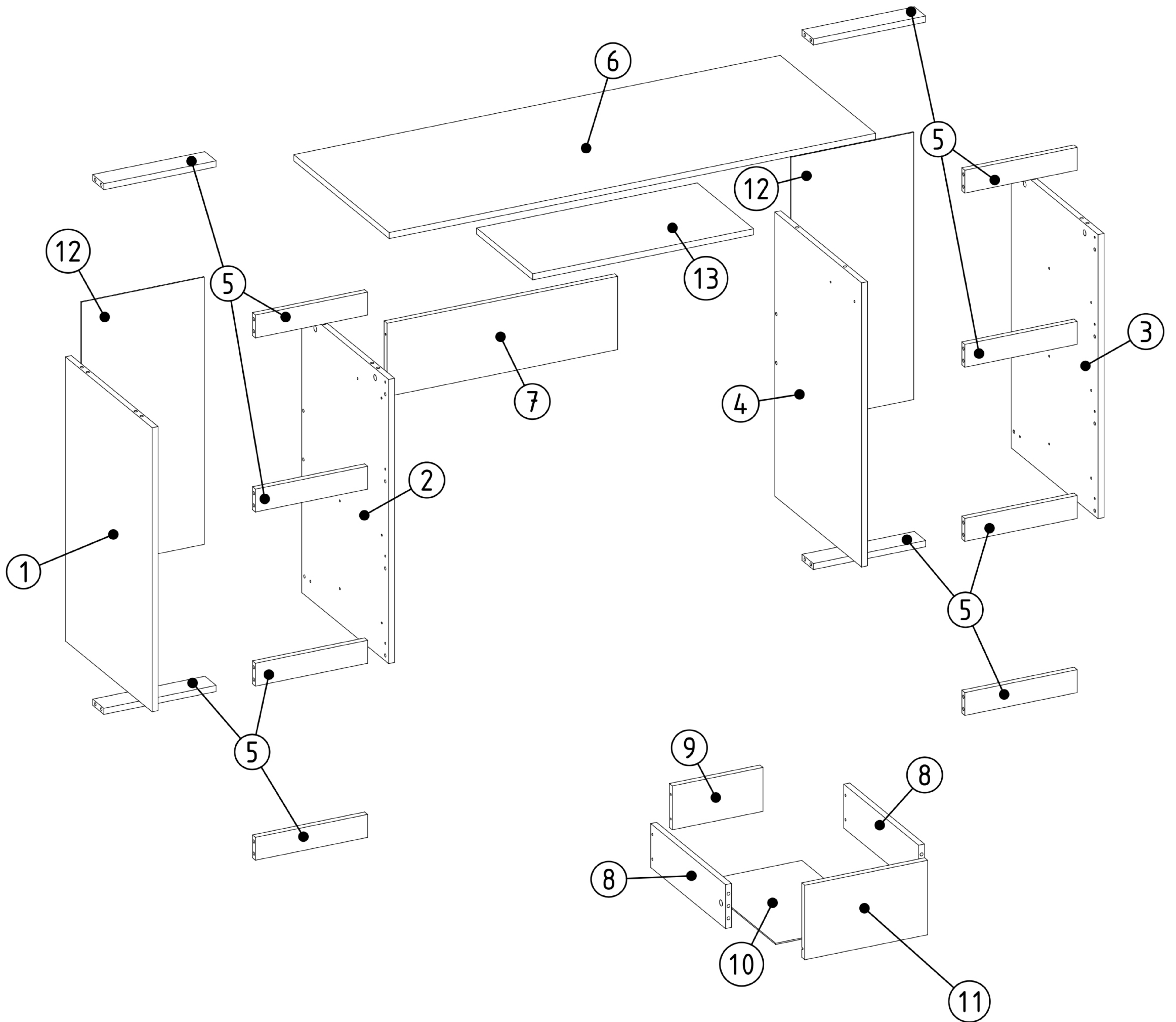
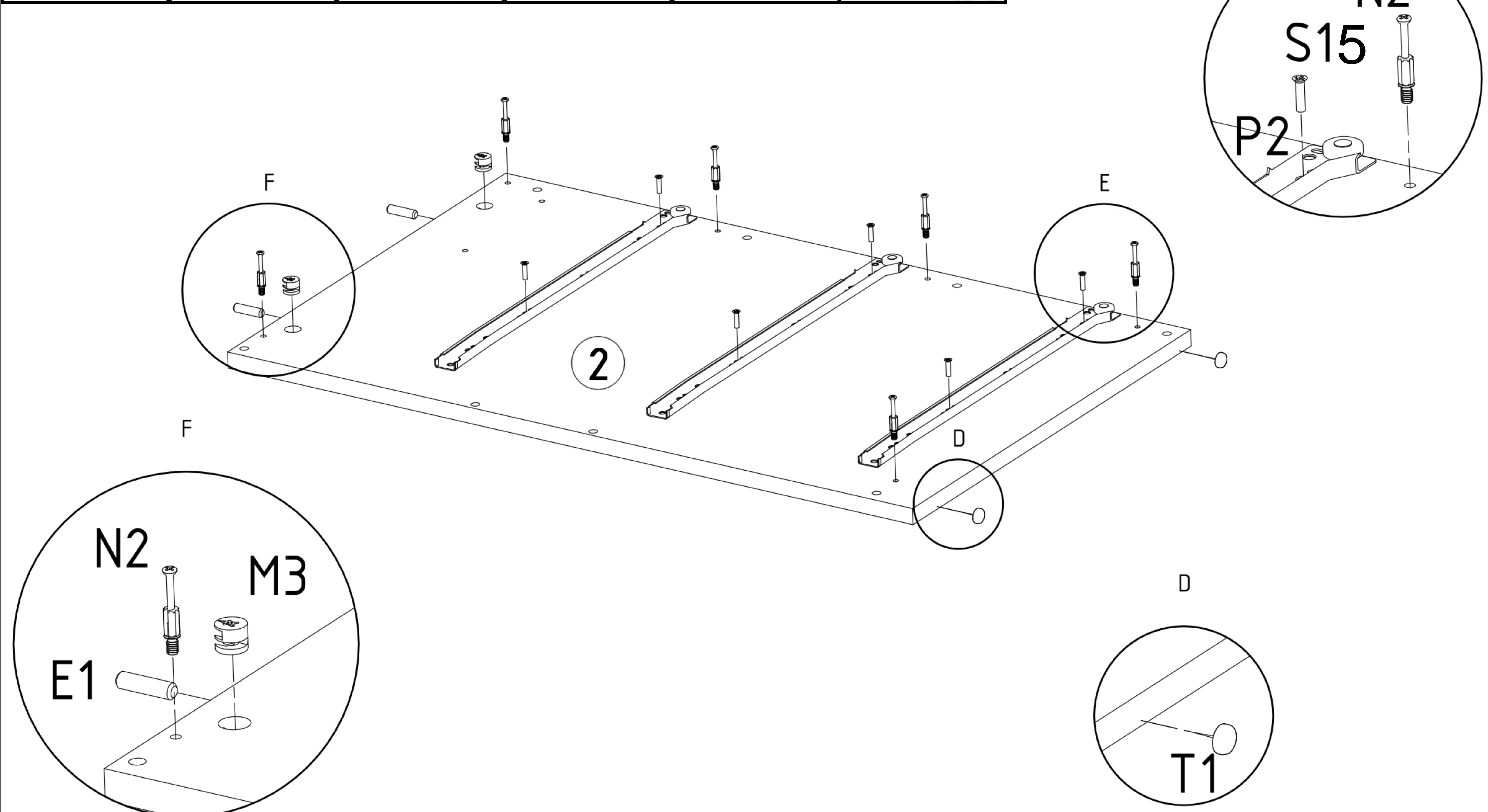
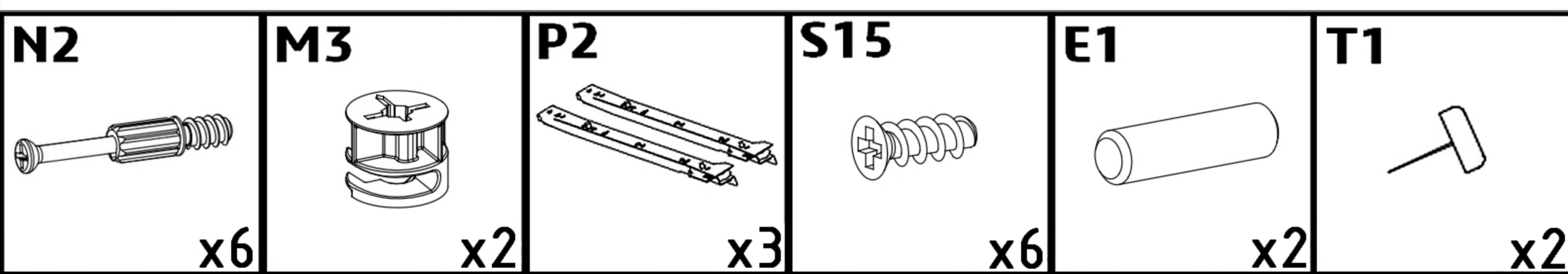
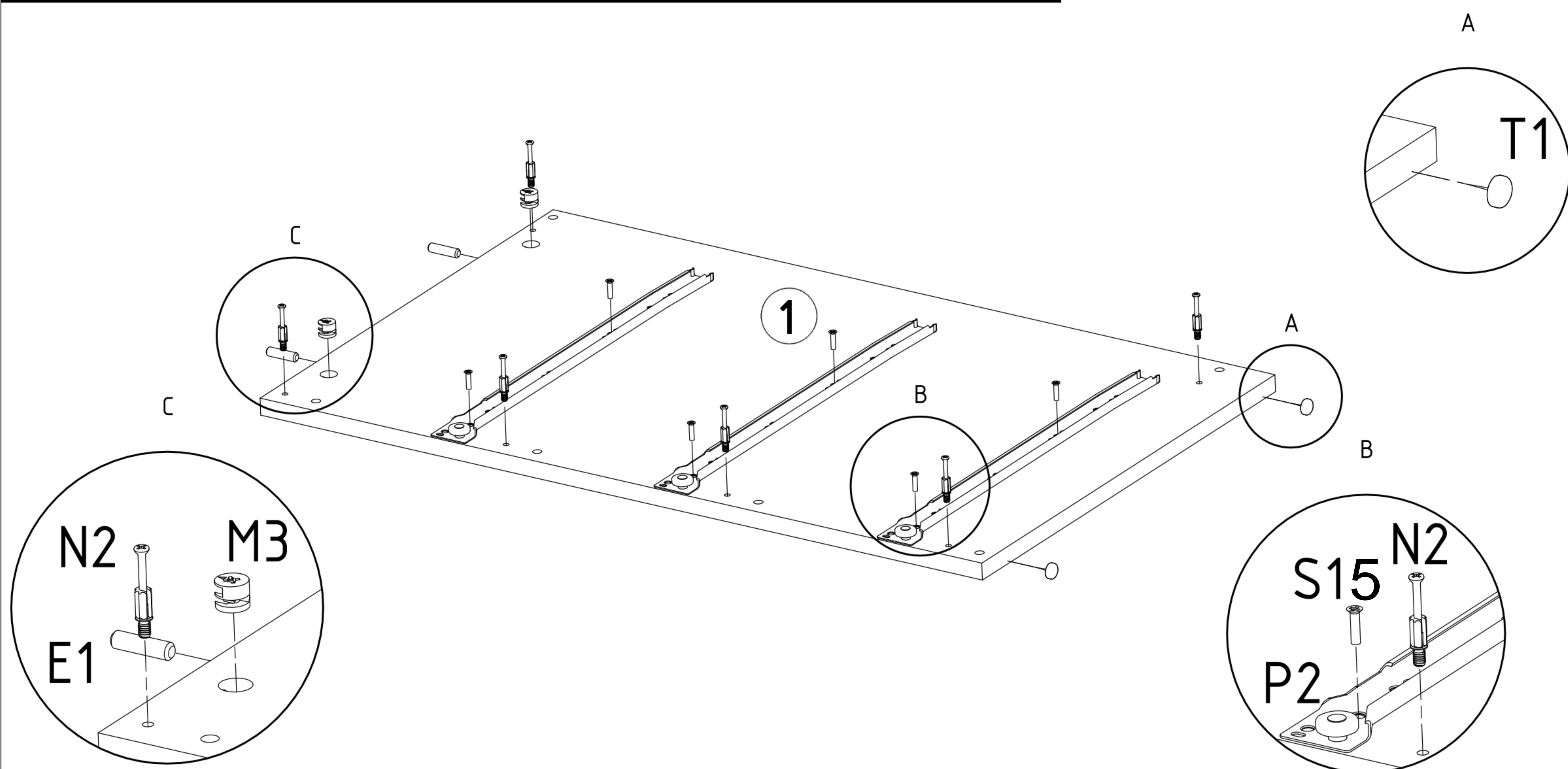
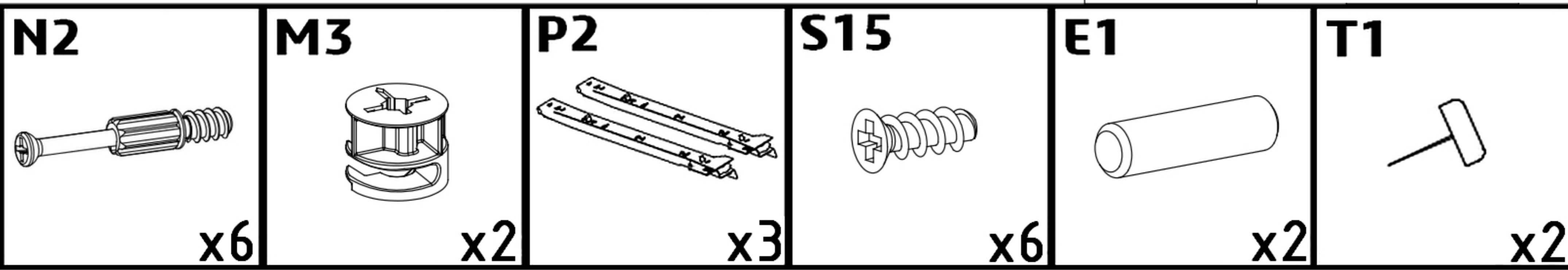


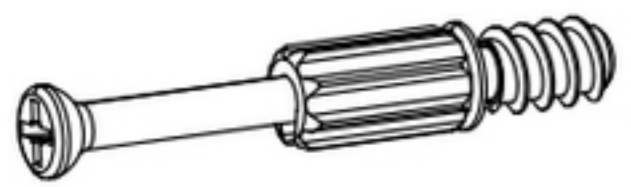
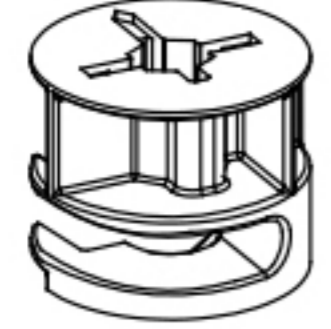
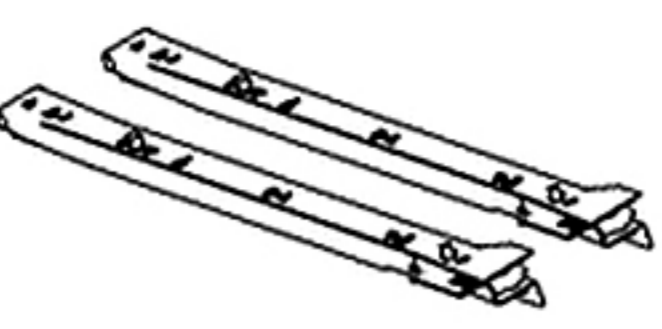



<b>N2</b>  L=35mm <b>x44</b>	<b>M3</b>  12x15mm <b>x44</b>	<b>E4</b>  L=42mm <b>x24</b>	<b>S1</b>  3,5x16mm <b>x28</b>	<b>E1</b>  8x30mm <b>x56</b>	<b>K1</b>  <b>x1</b>	
<b>T1</b>  <b>x8</b>	<b>Z2</b>  <b>x100</b>	<b>P3</b>  L=300mm <b>x1</b>	<b>P2</b>  L=400mm <b>x6</b>	<b>M2</b> <b>x48</b>  ø17mm <b>x12</b>	<b>F2</b>  7x50mm <b>x4</b>	<b>S15</b>  5.0x13 <b>x28</b>

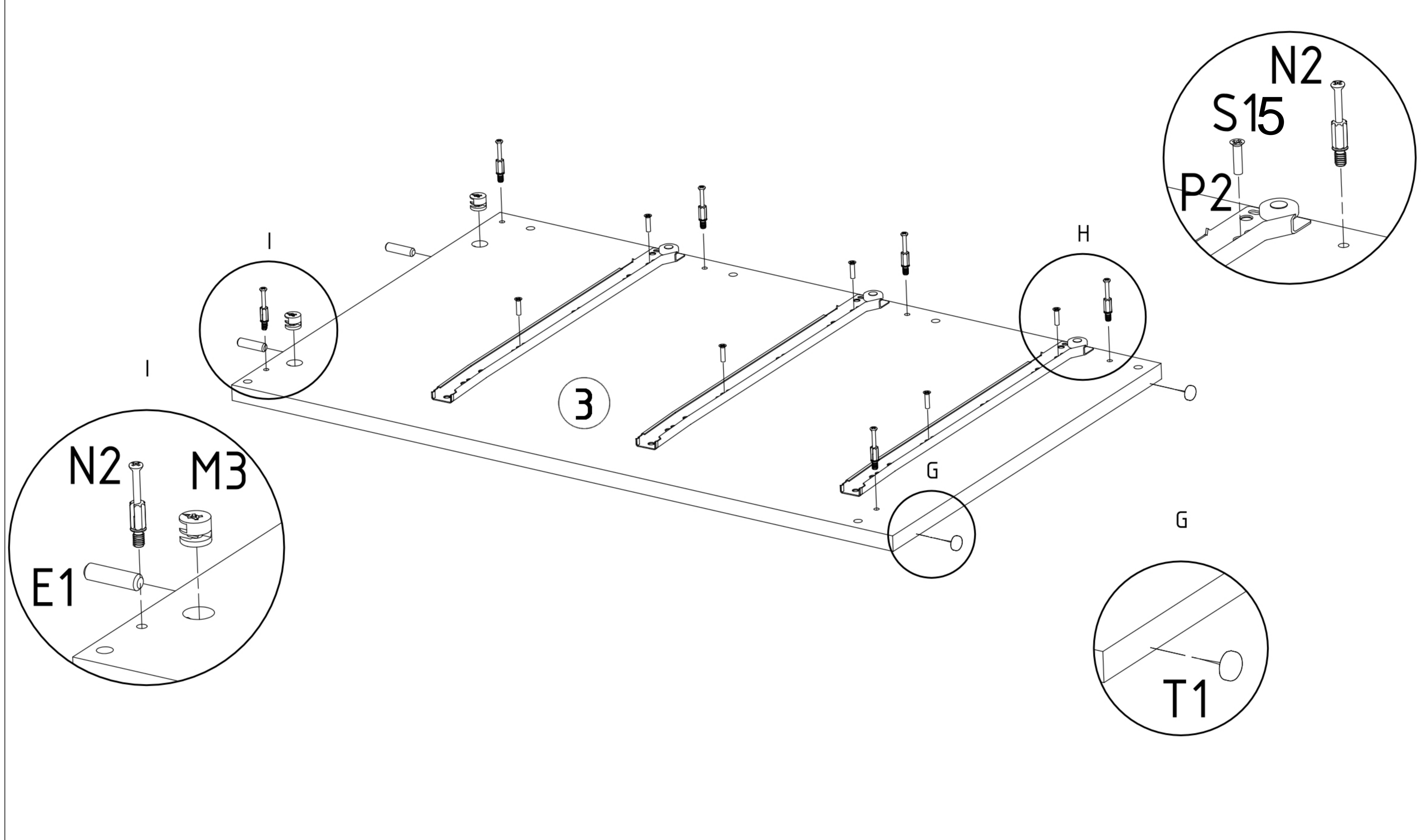


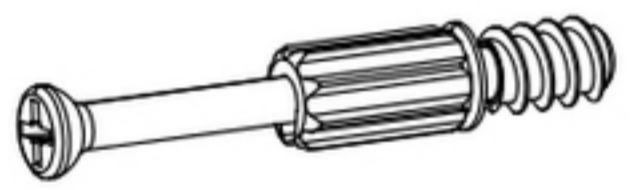
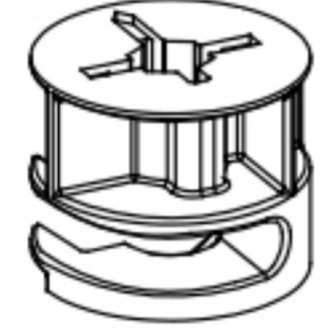
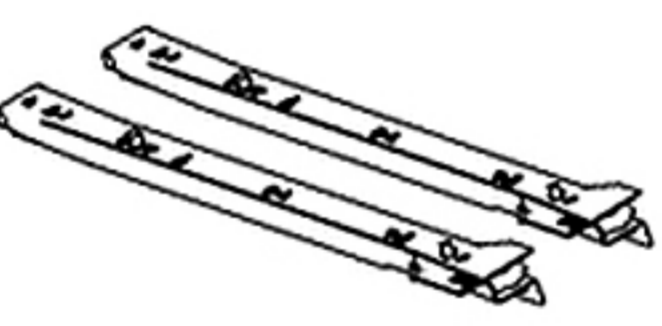



<b>1</b>	x	1
<b>2</b>	x	1
<b>3</b>	x	1
<b>4</b>	x	1
<b>5</b>	x	12
<b>6</b>	x	1
<b>7</b>	x	1

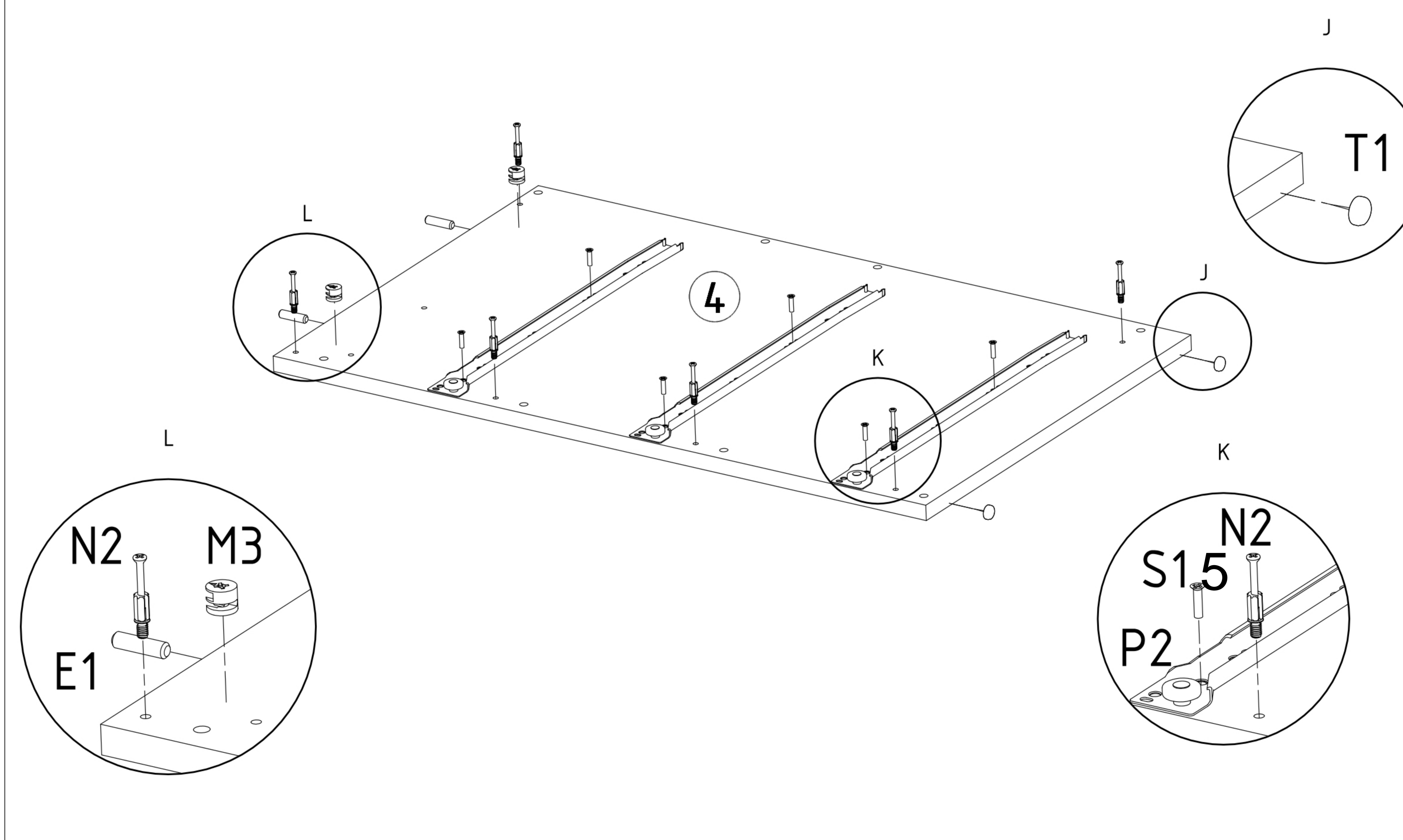
<b>8</b>	x	12
<b>9</b>	x	6
<b>10</b>	x	6
<b>11</b>	x	6
<b>12</b>	x	2
<b>13</b>	x	1

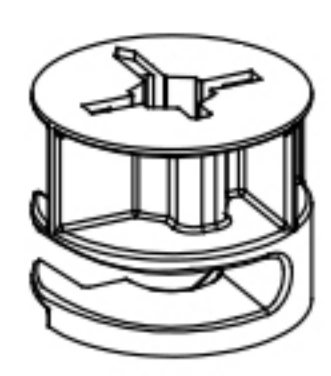
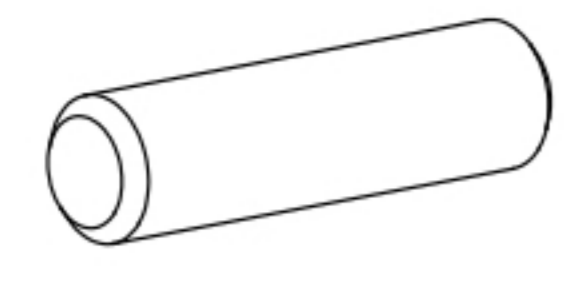


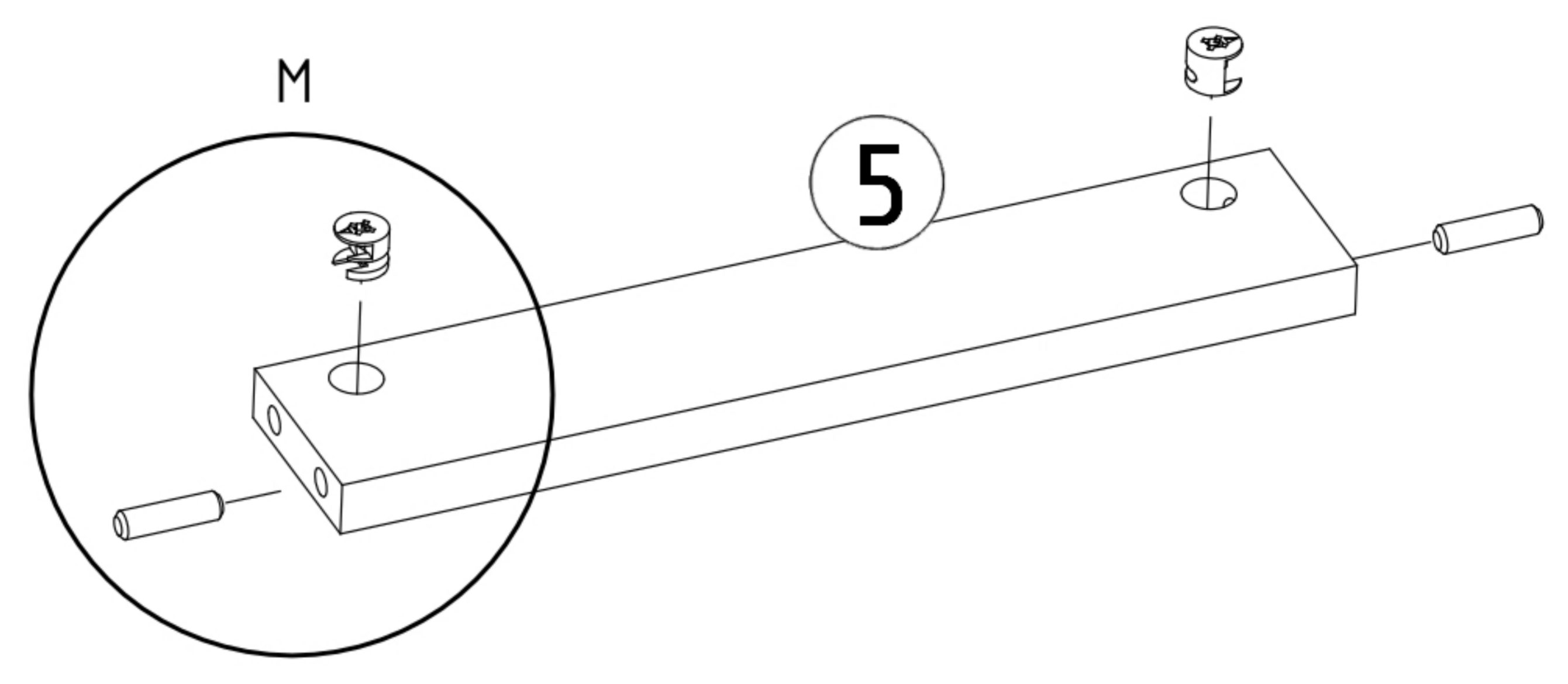
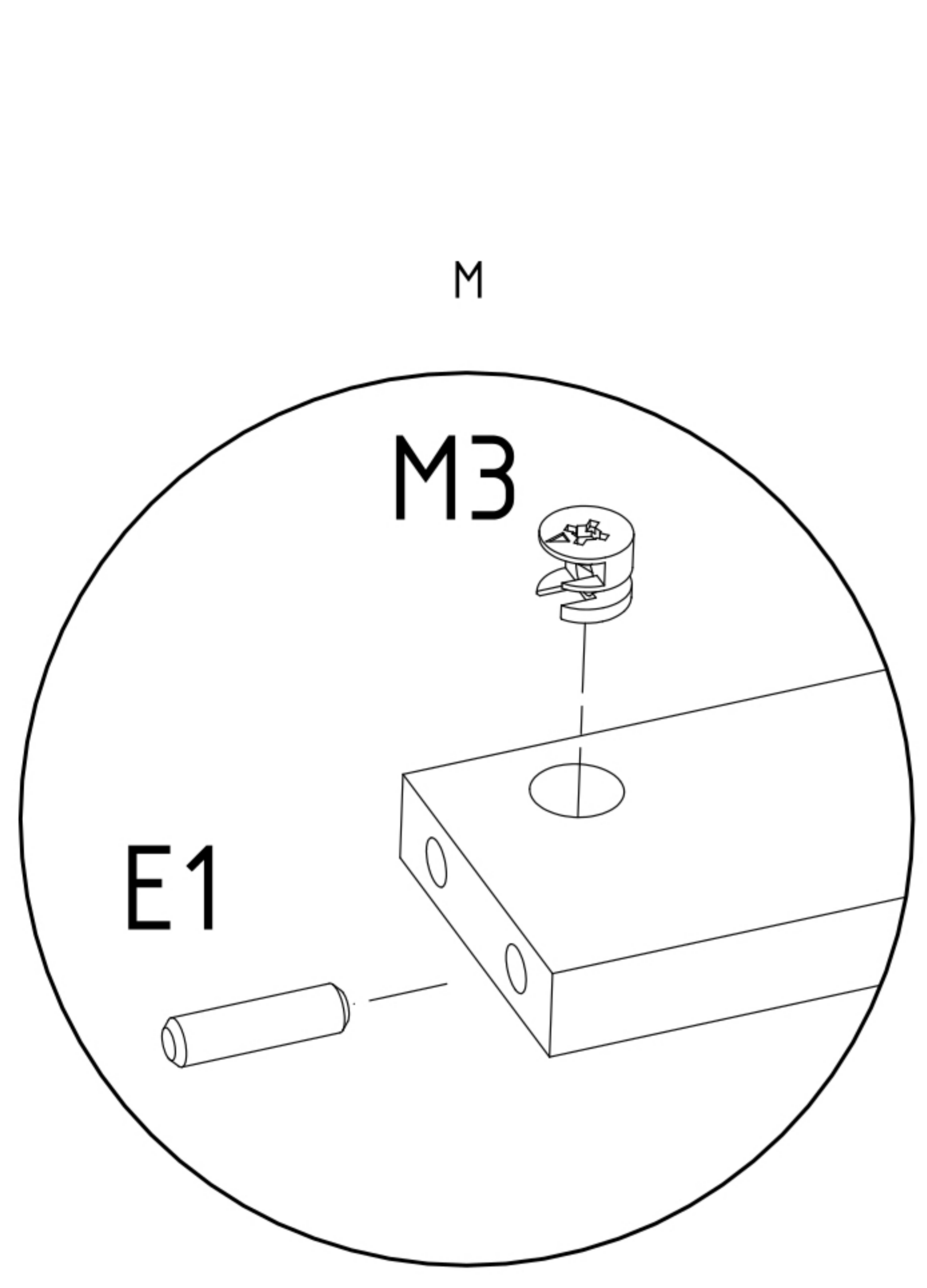
<b>N2</b>  x6	<b>M3</b>  x2	<b>P2</b>  x3	<b>S15</b>  x6	<b>E1</b>  x2	<b>T1</b>  x2
---	--	--	---	--	--



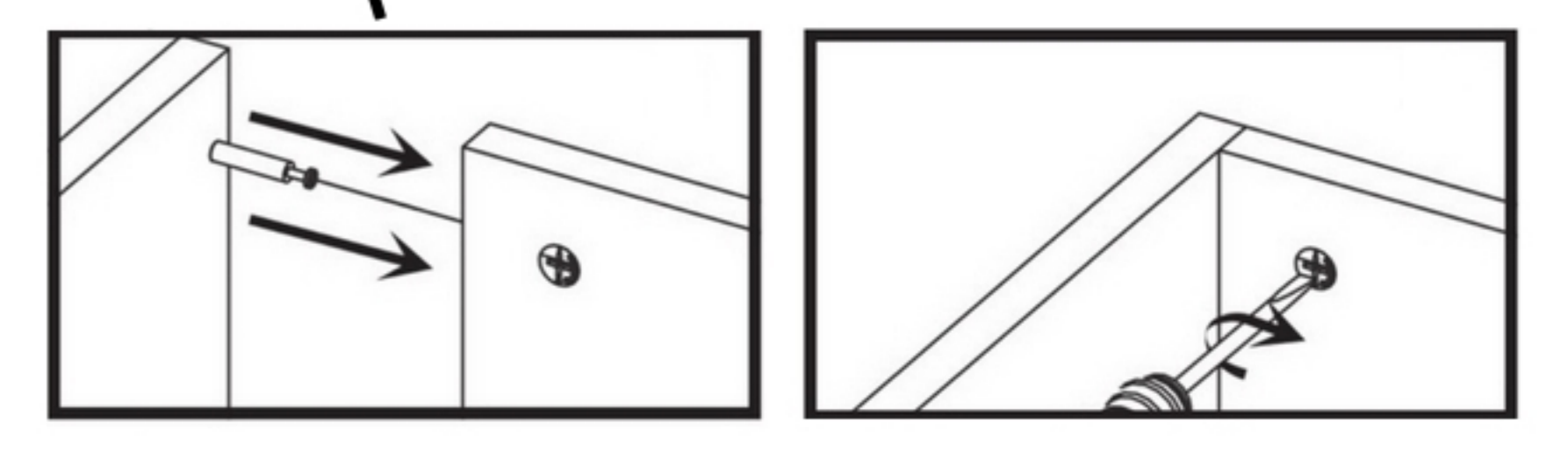
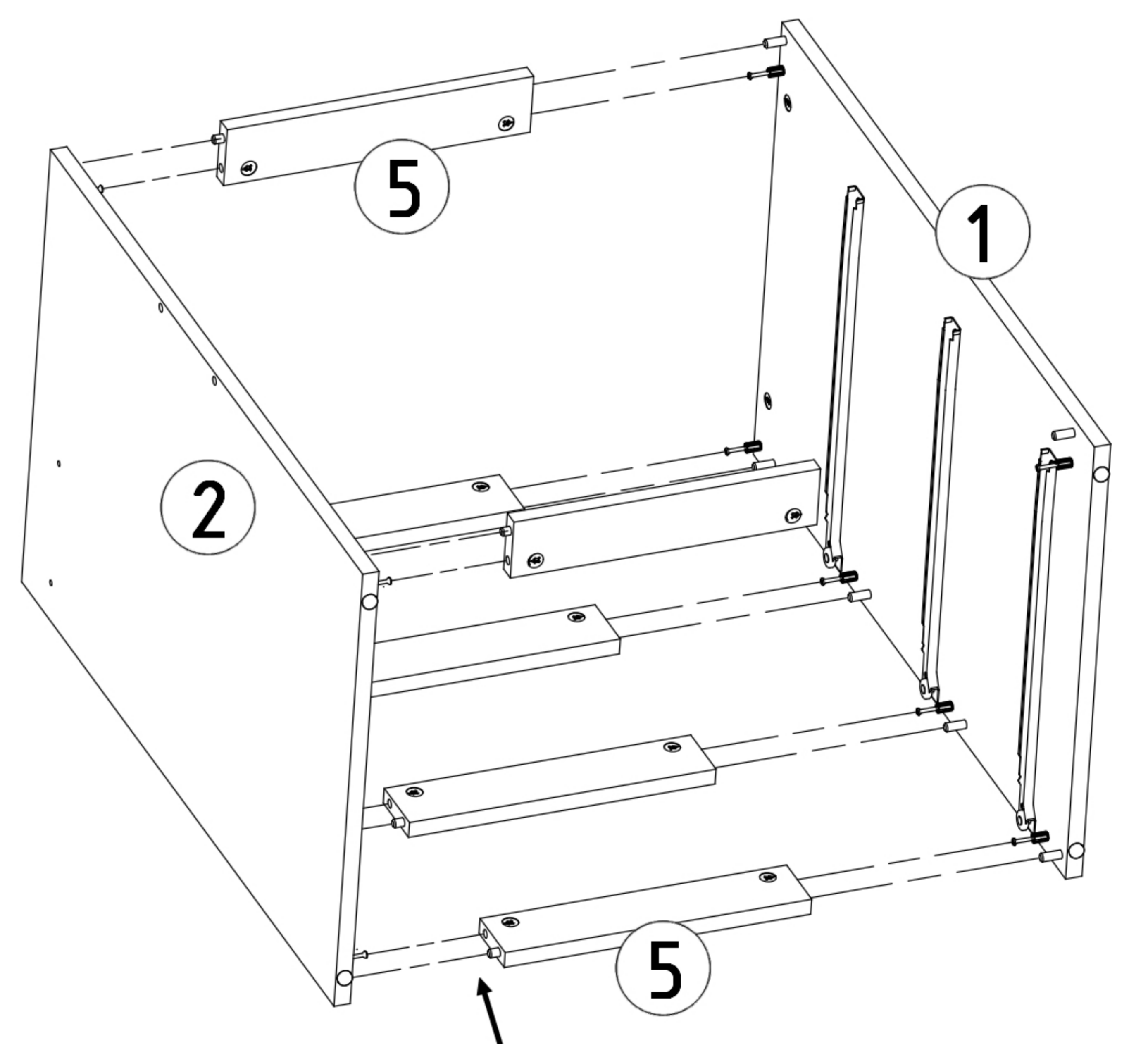
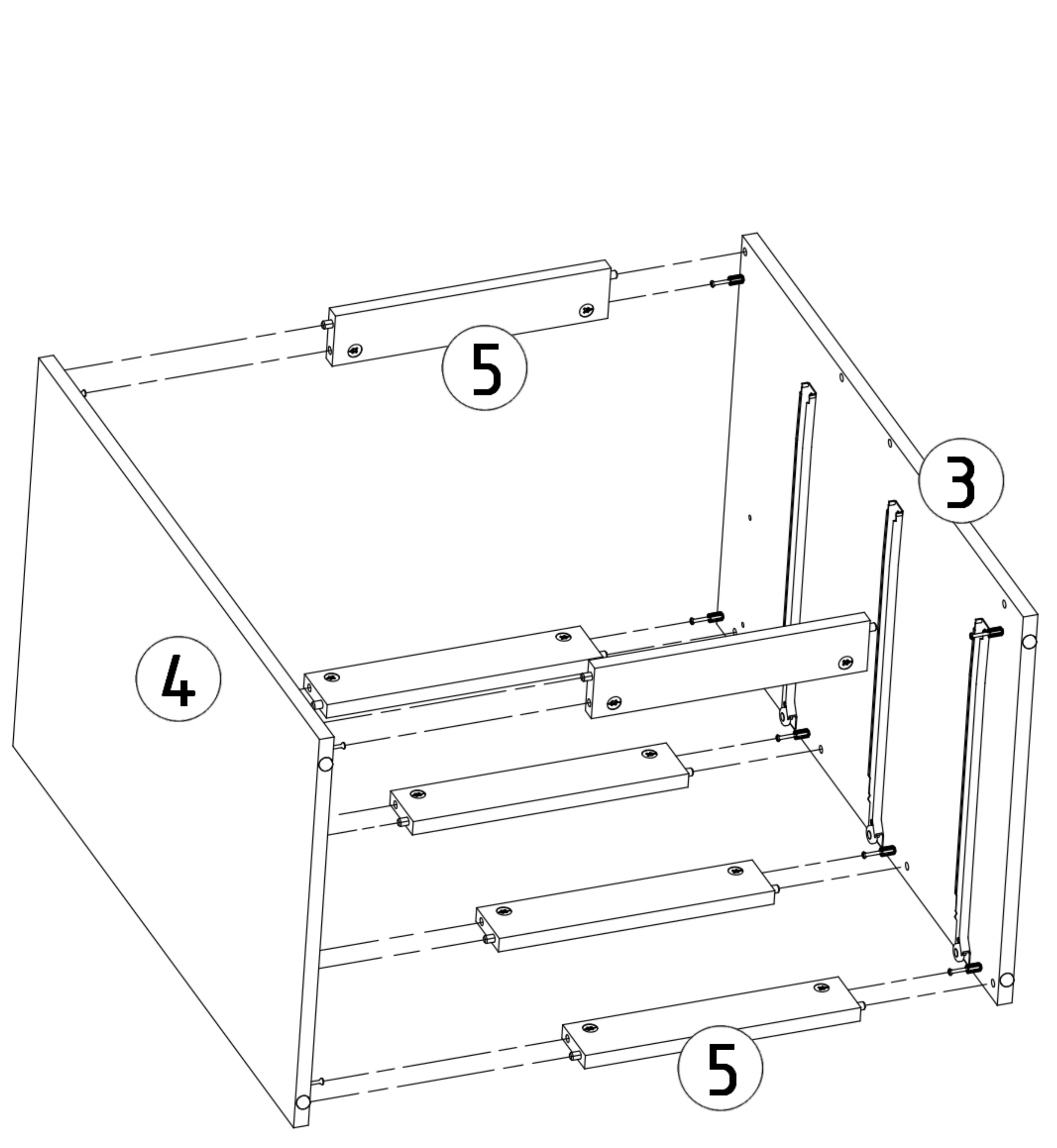
<b>N2</b>  x6	<b>M3</b>  x2	<b>P2</b>  x3	<b>S15</b>  x6	<b>E1</b>  x2	<b>T1</b>  x2
---	--	--	---	--	--

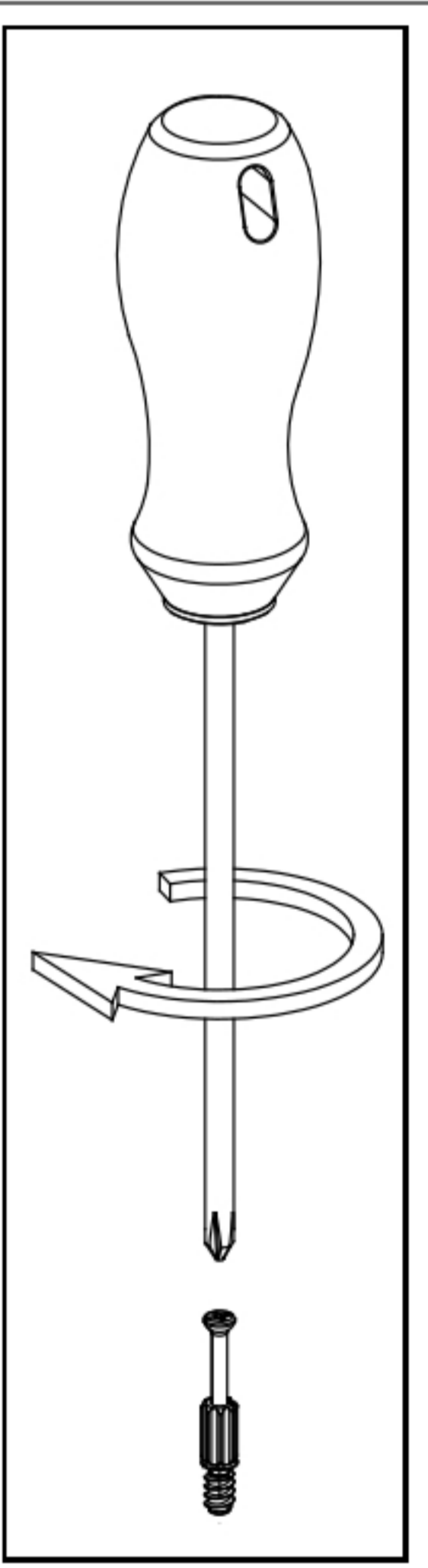
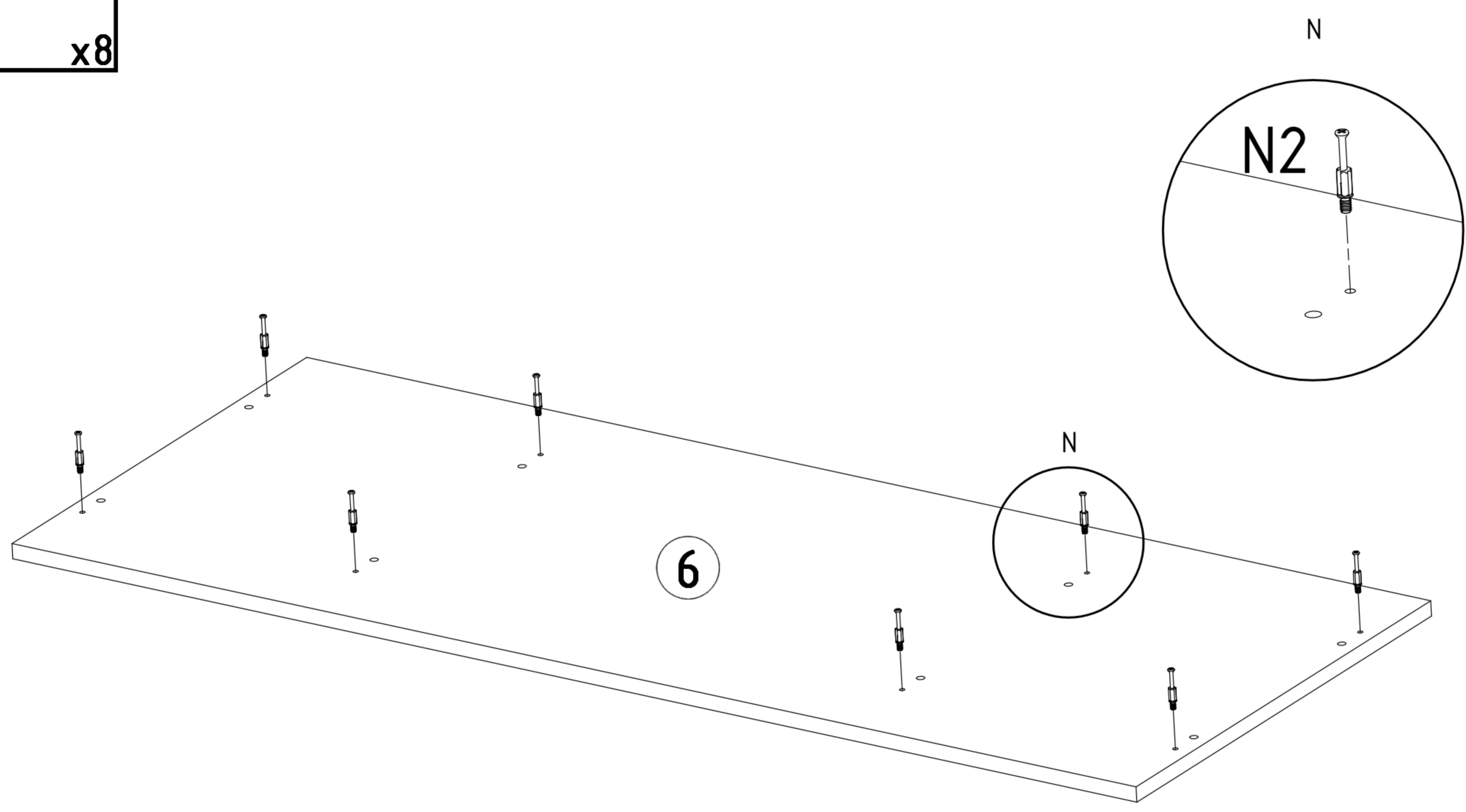
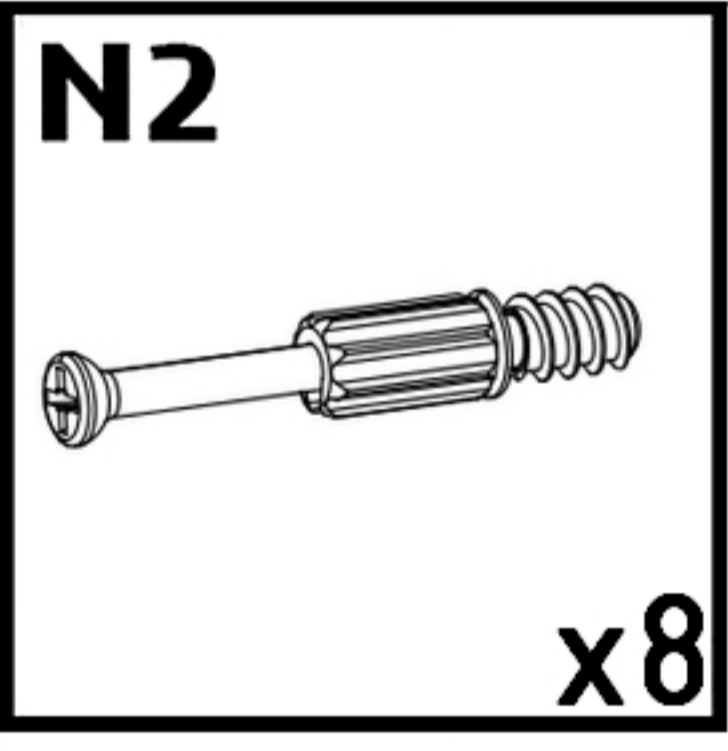
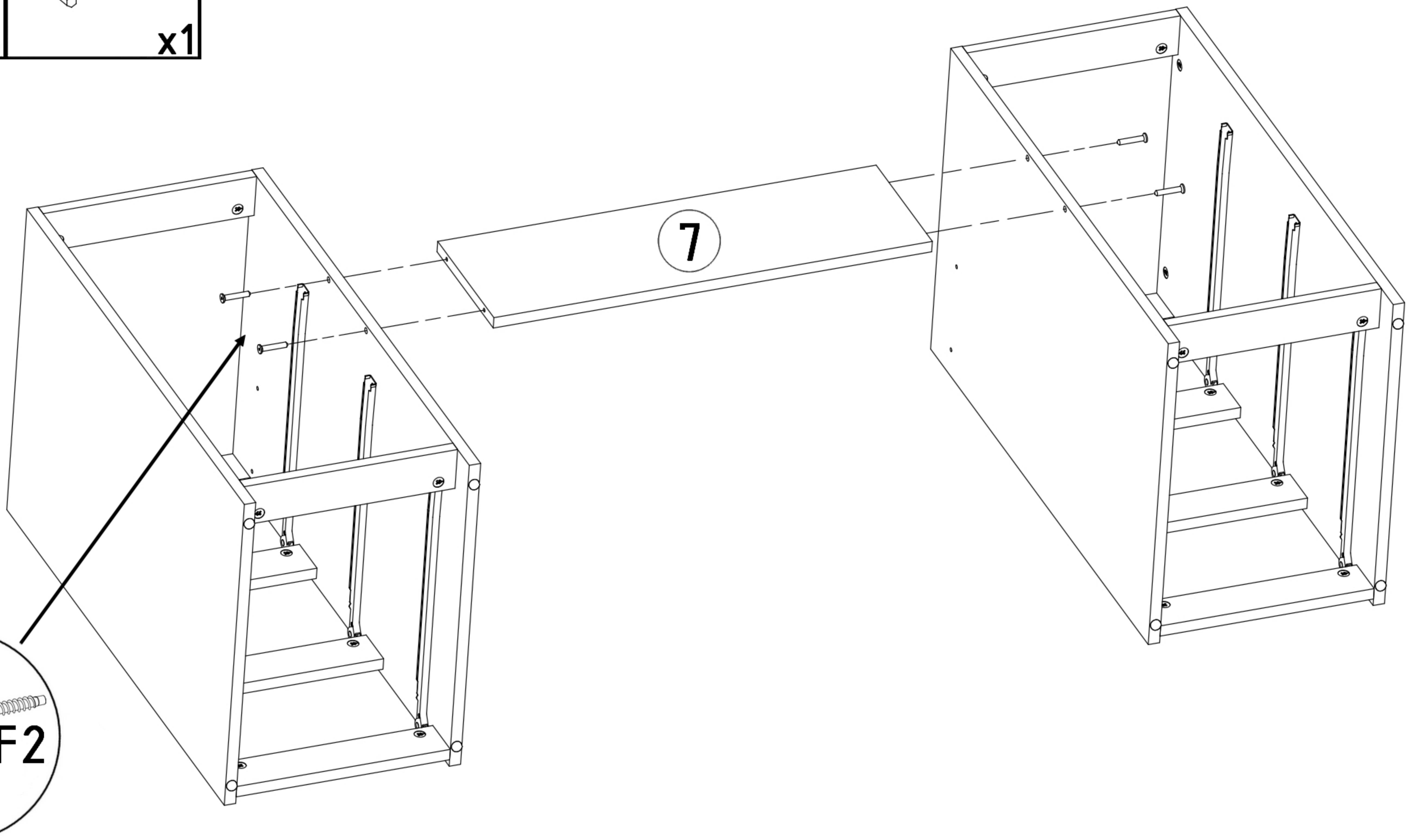
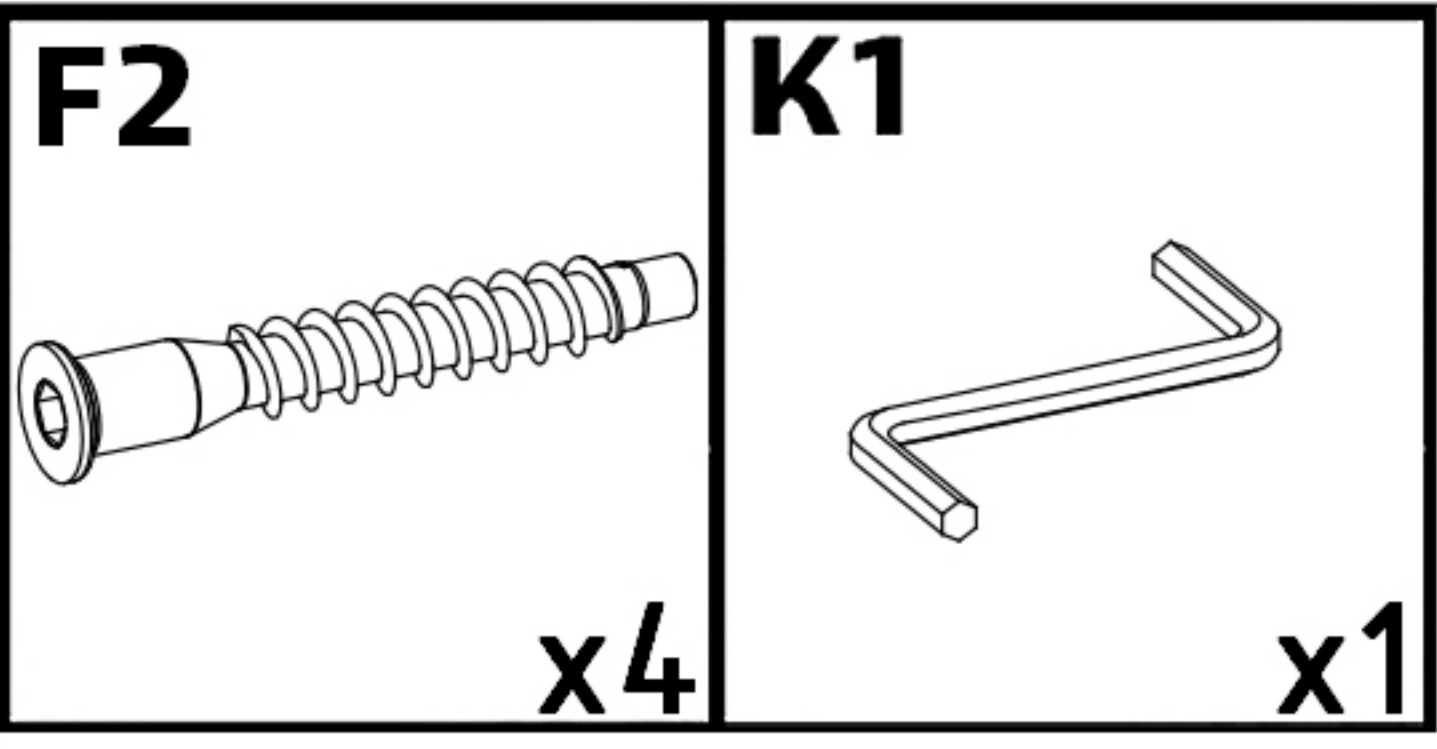


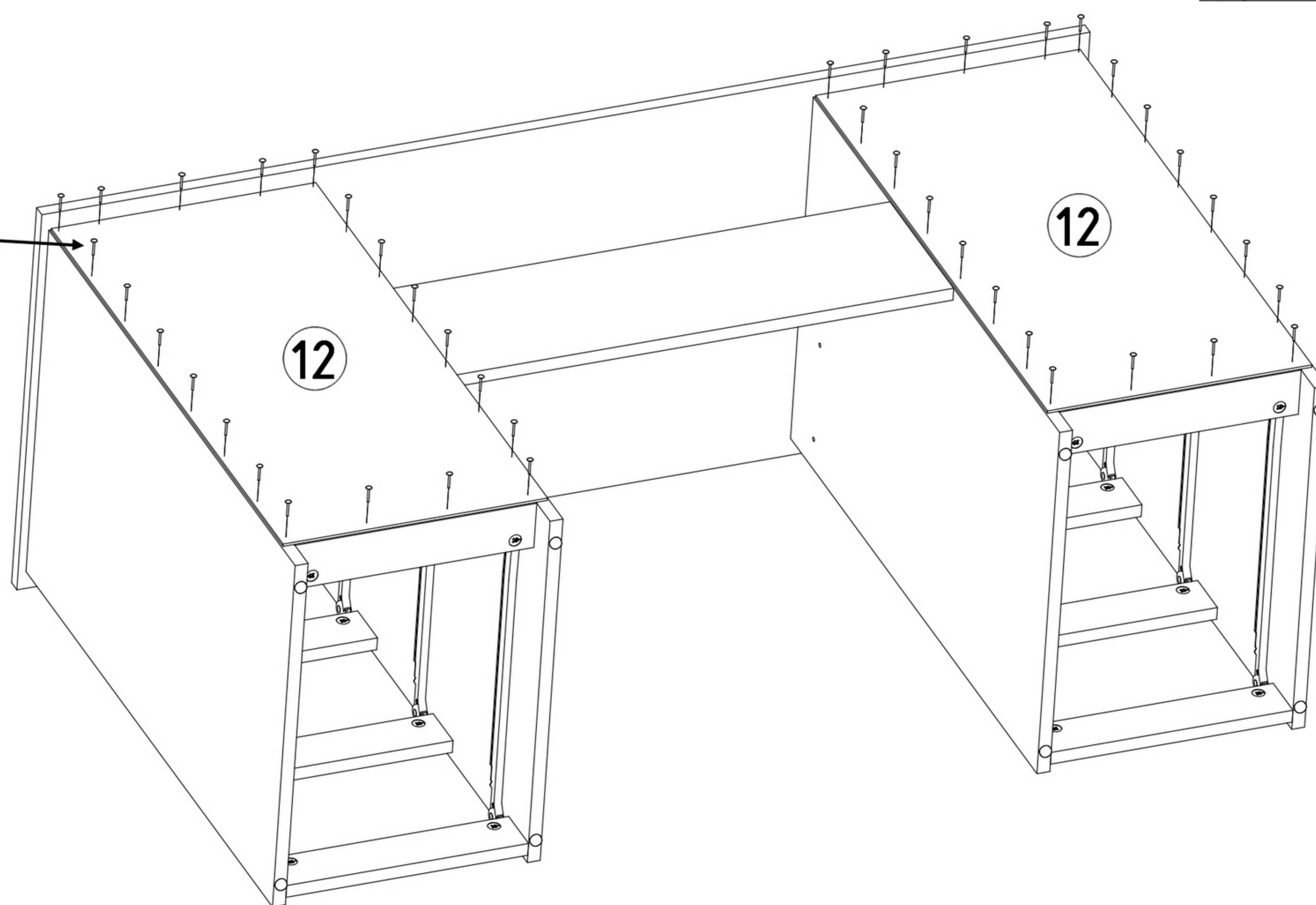
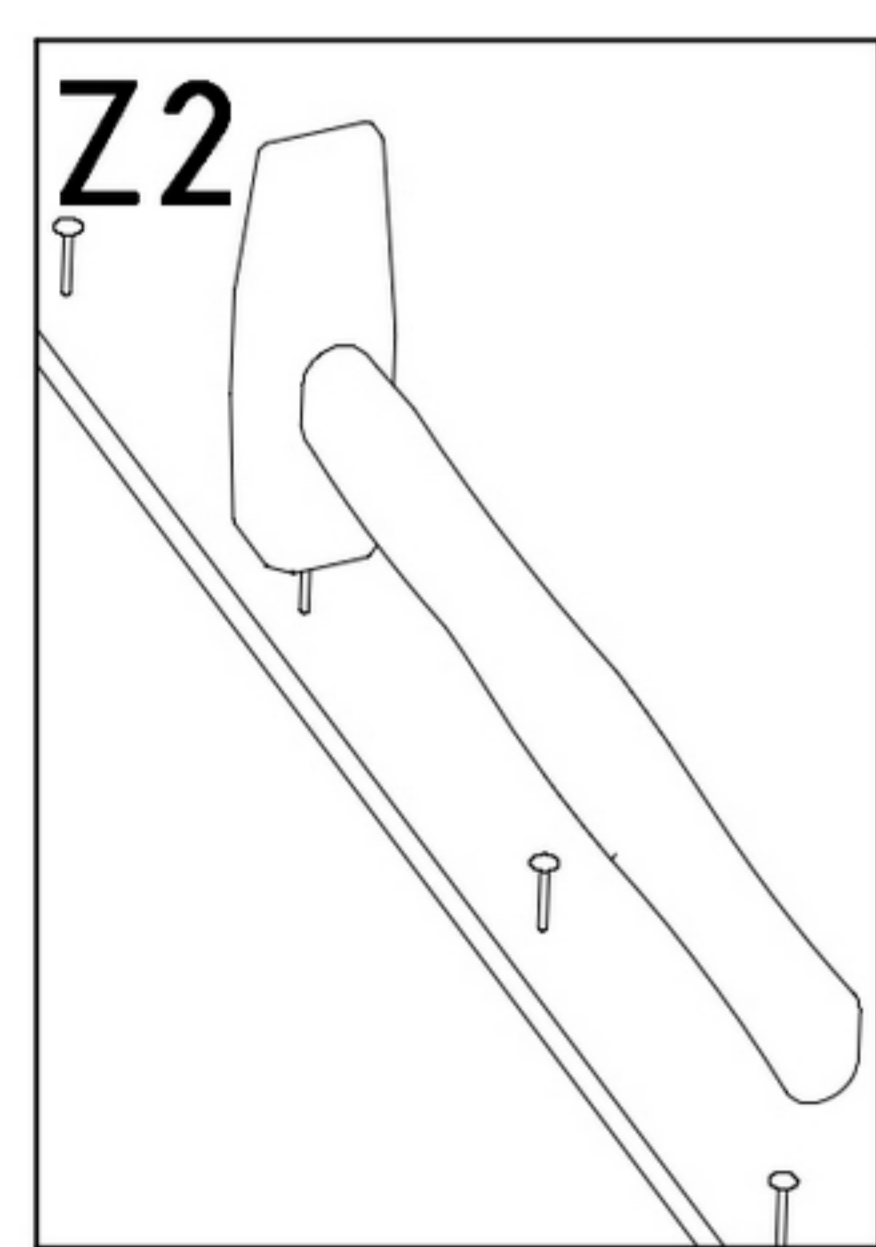
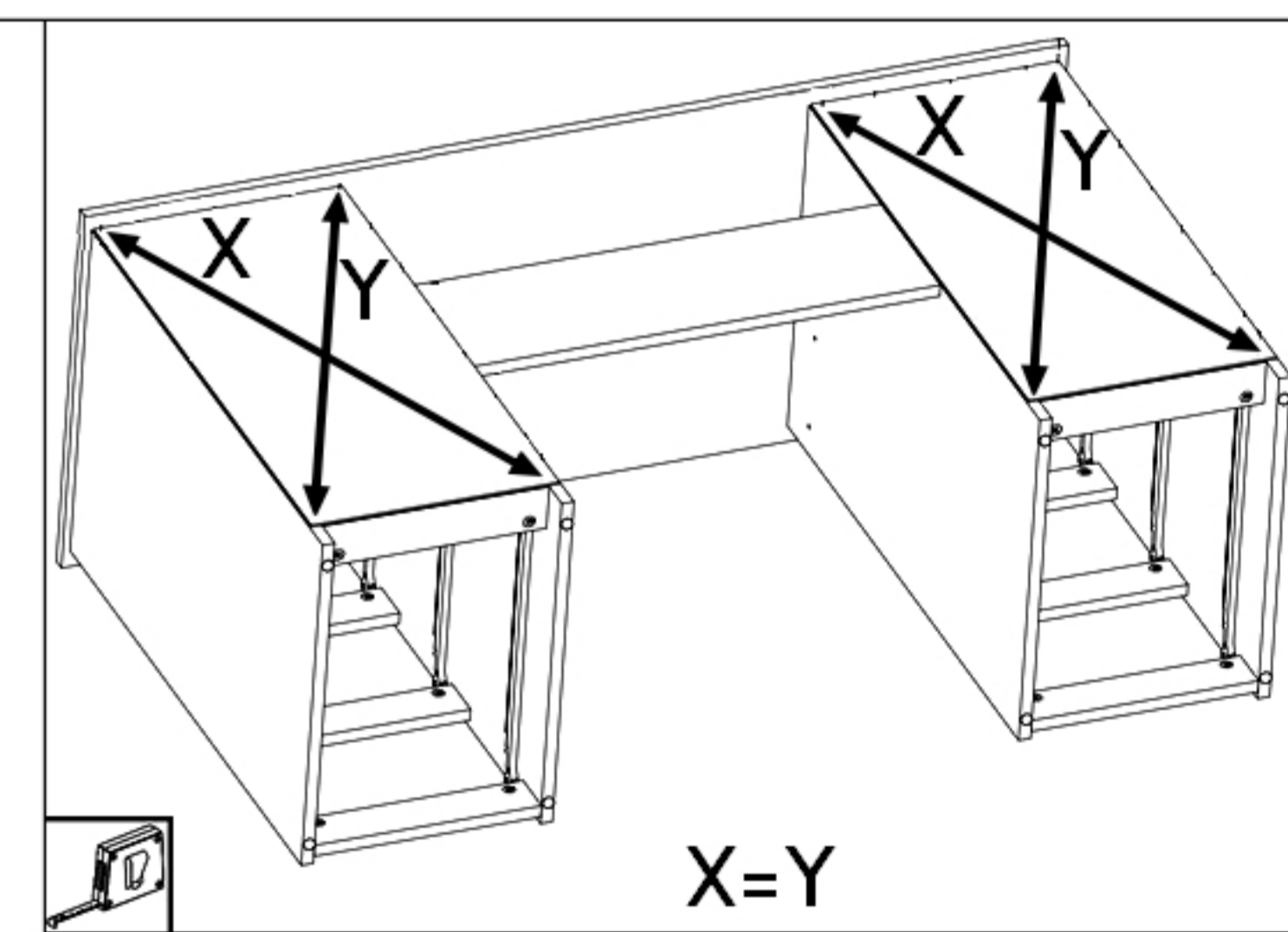
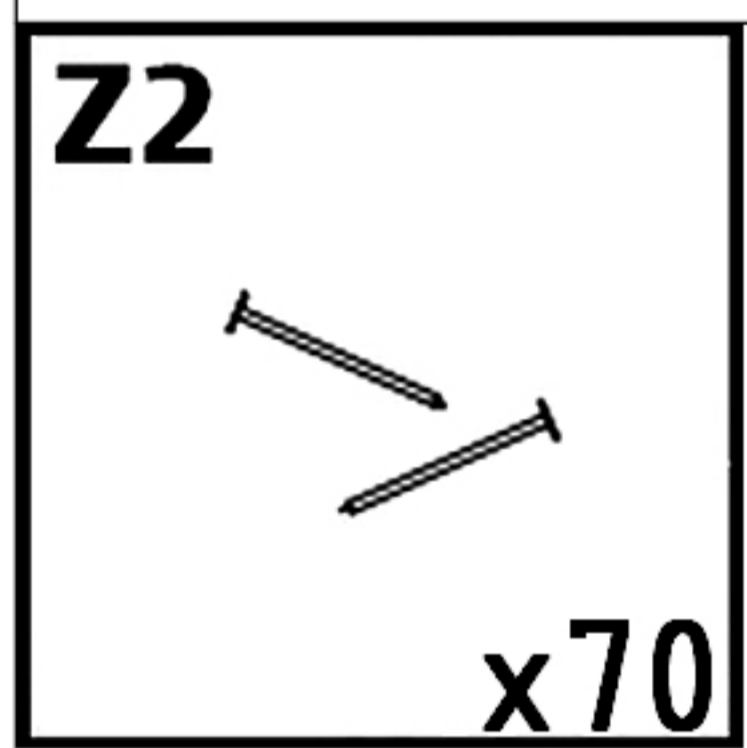
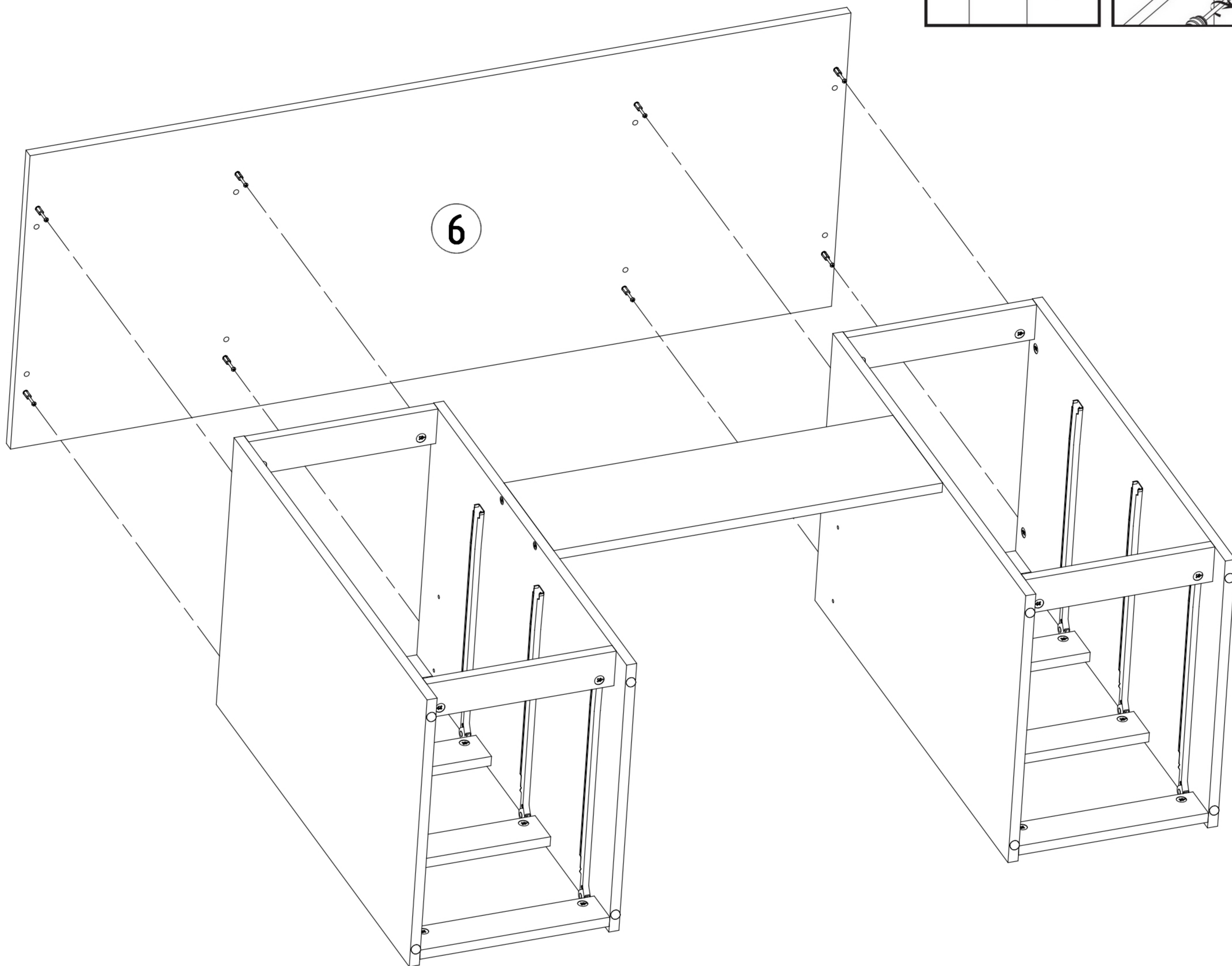
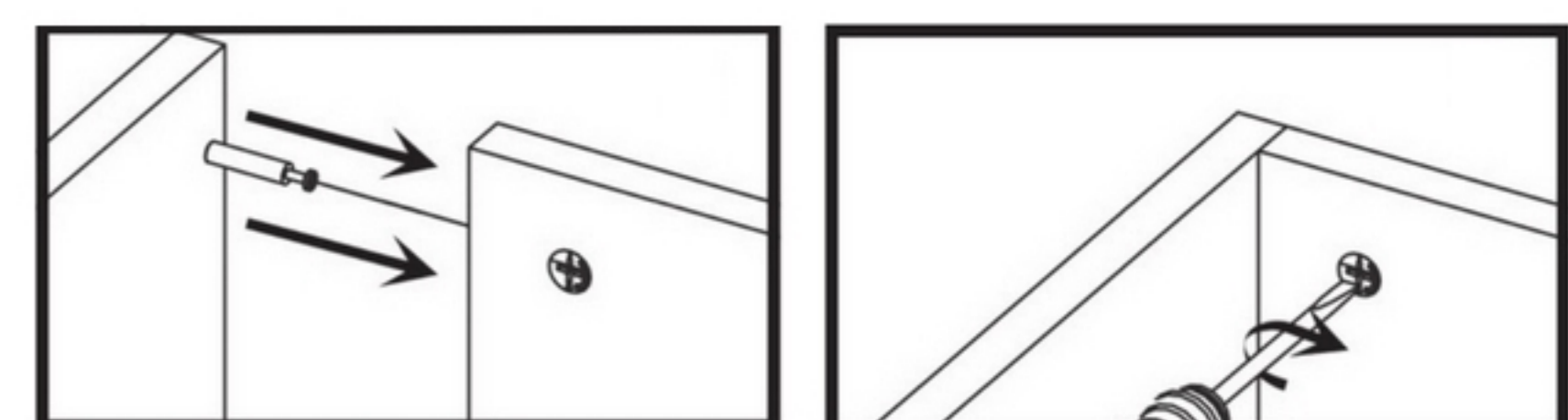
<b>M3</b>  x24	<b>E1</b>  x24
--	---

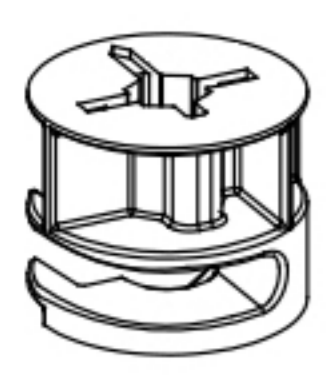
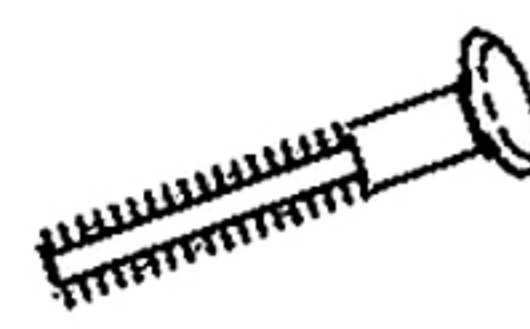
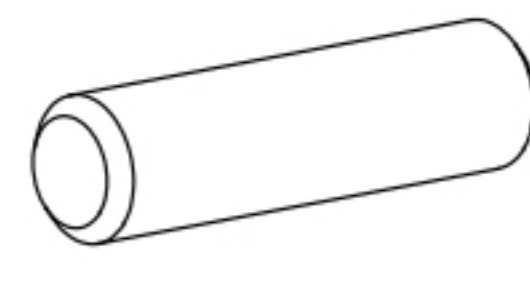


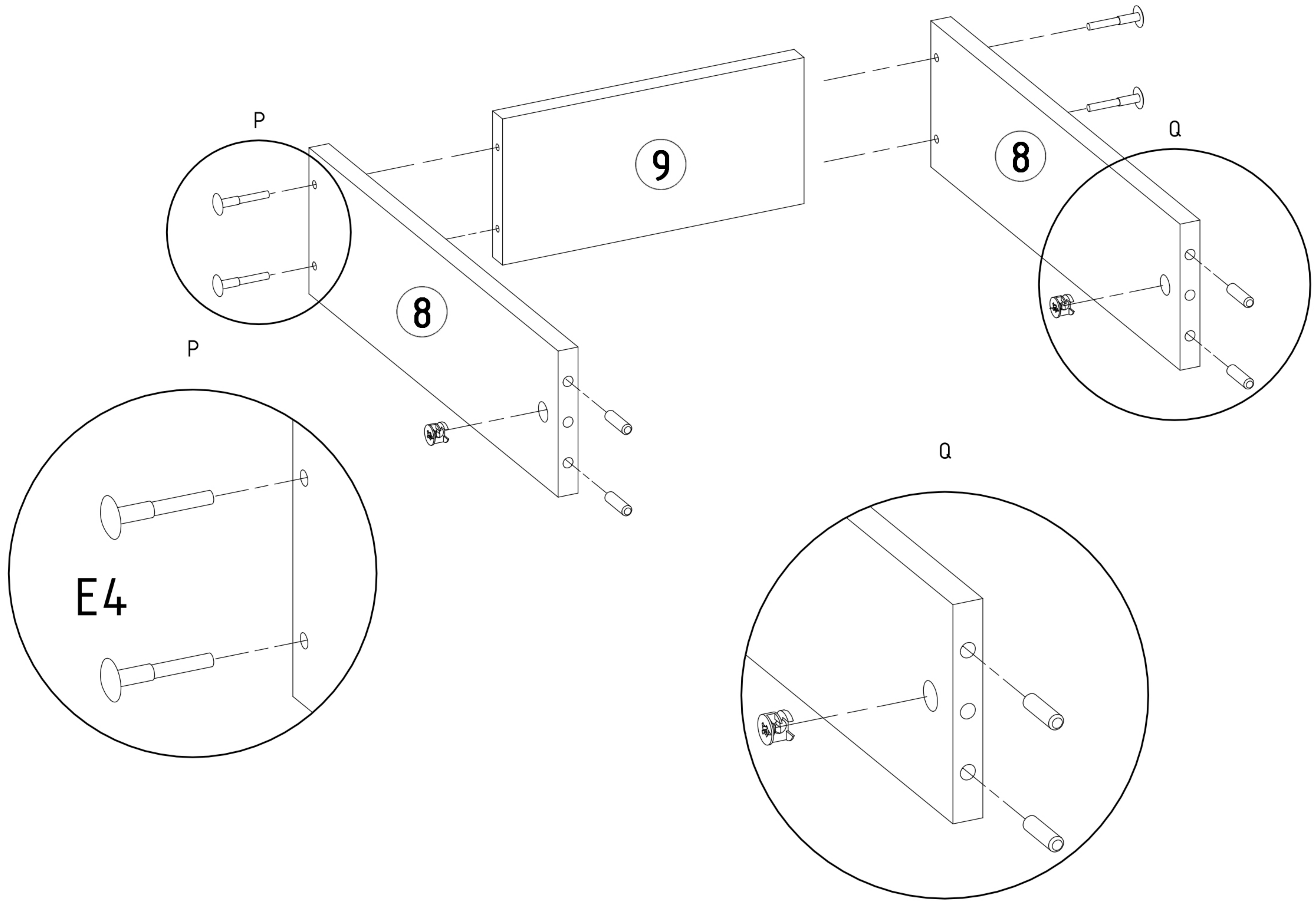
x12

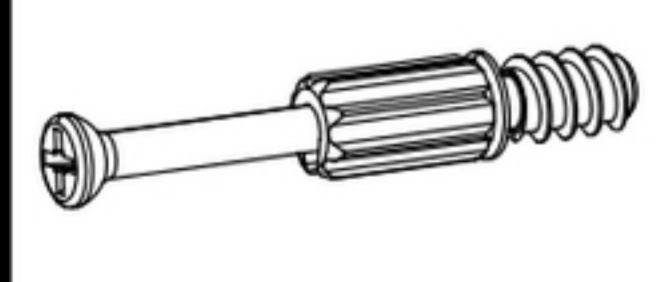


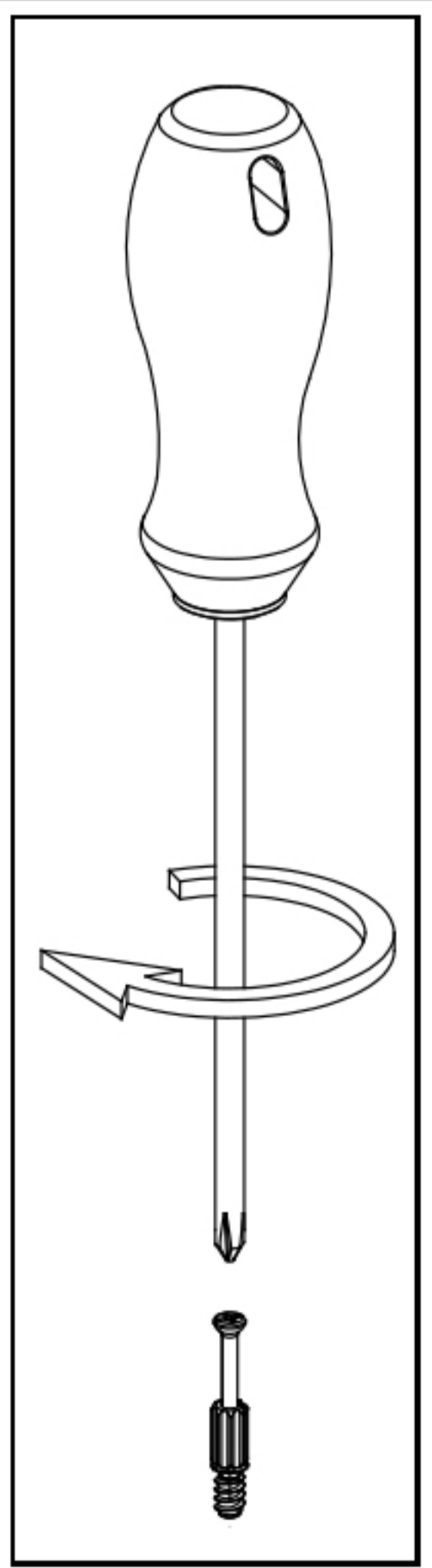
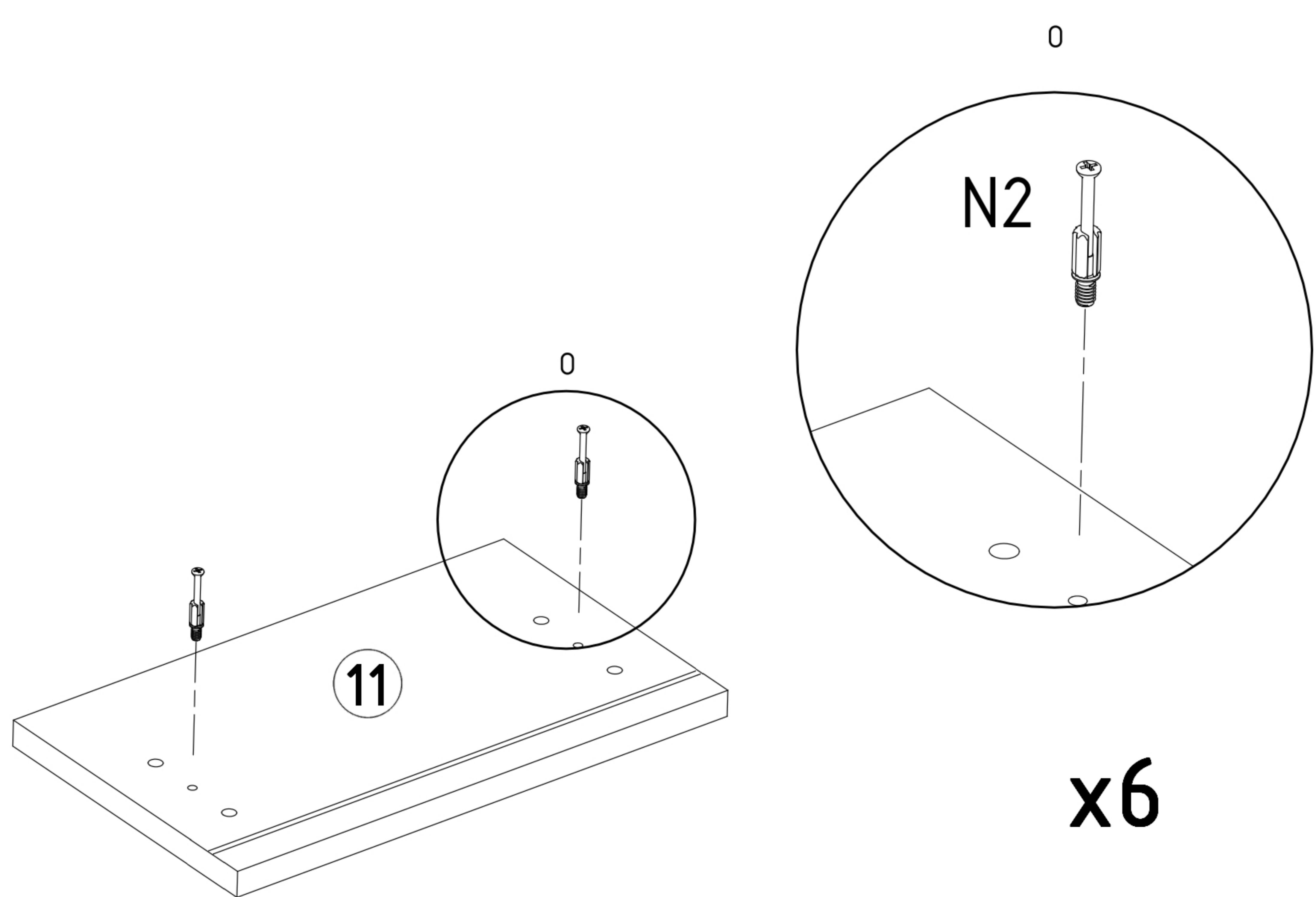




<b>M3</b>  x12	<b>E4</b>  x24	<b>E1</b>  x24
--	---	---

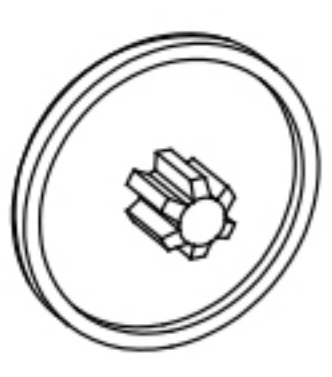


<b>N2</b>  x12
--

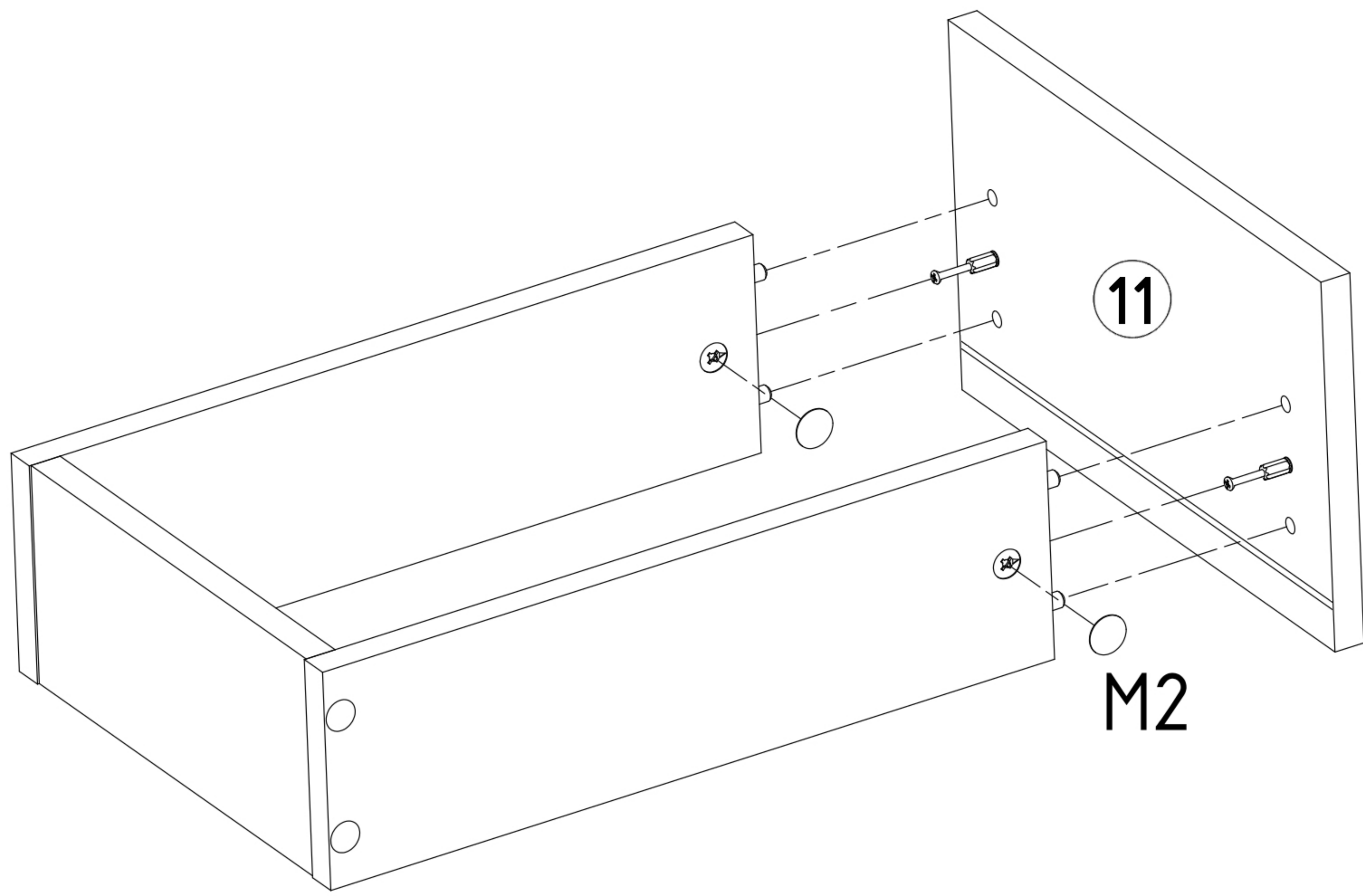
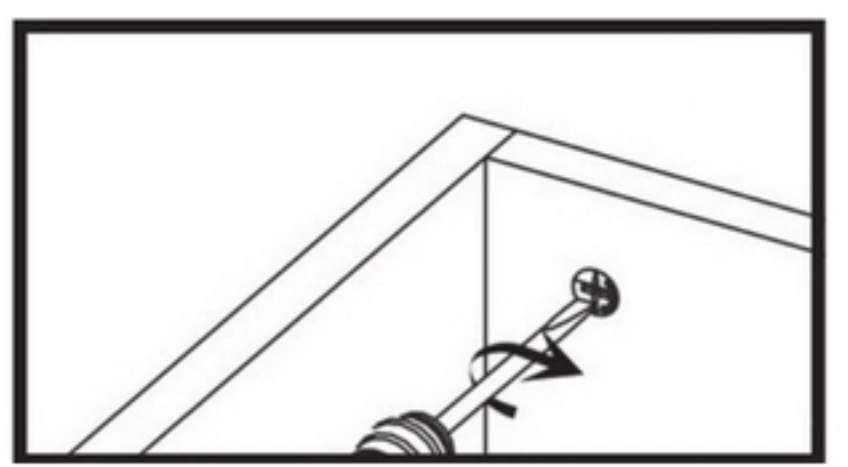
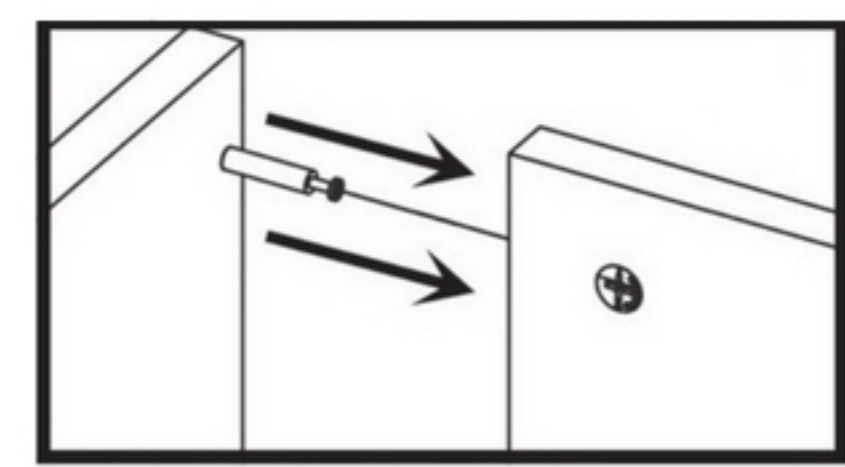




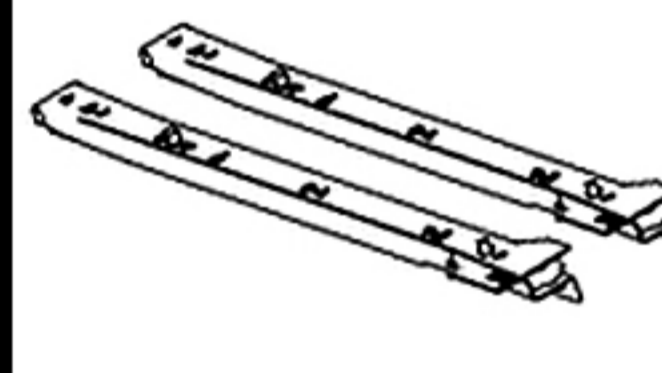
**M2**



x12




**P2**



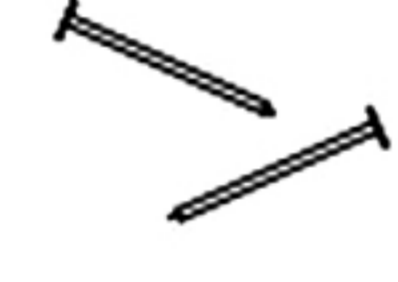
x6

**S1**

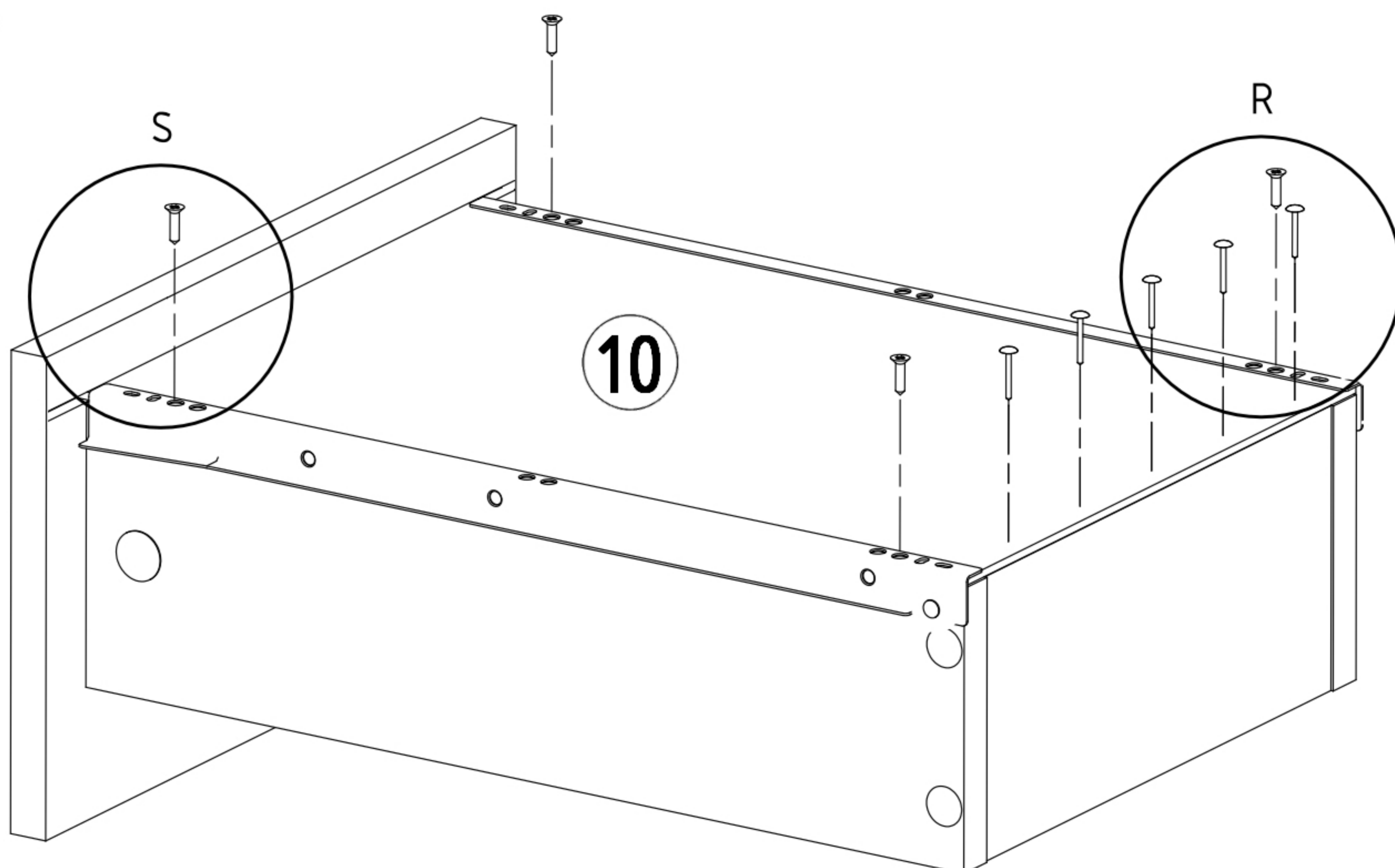
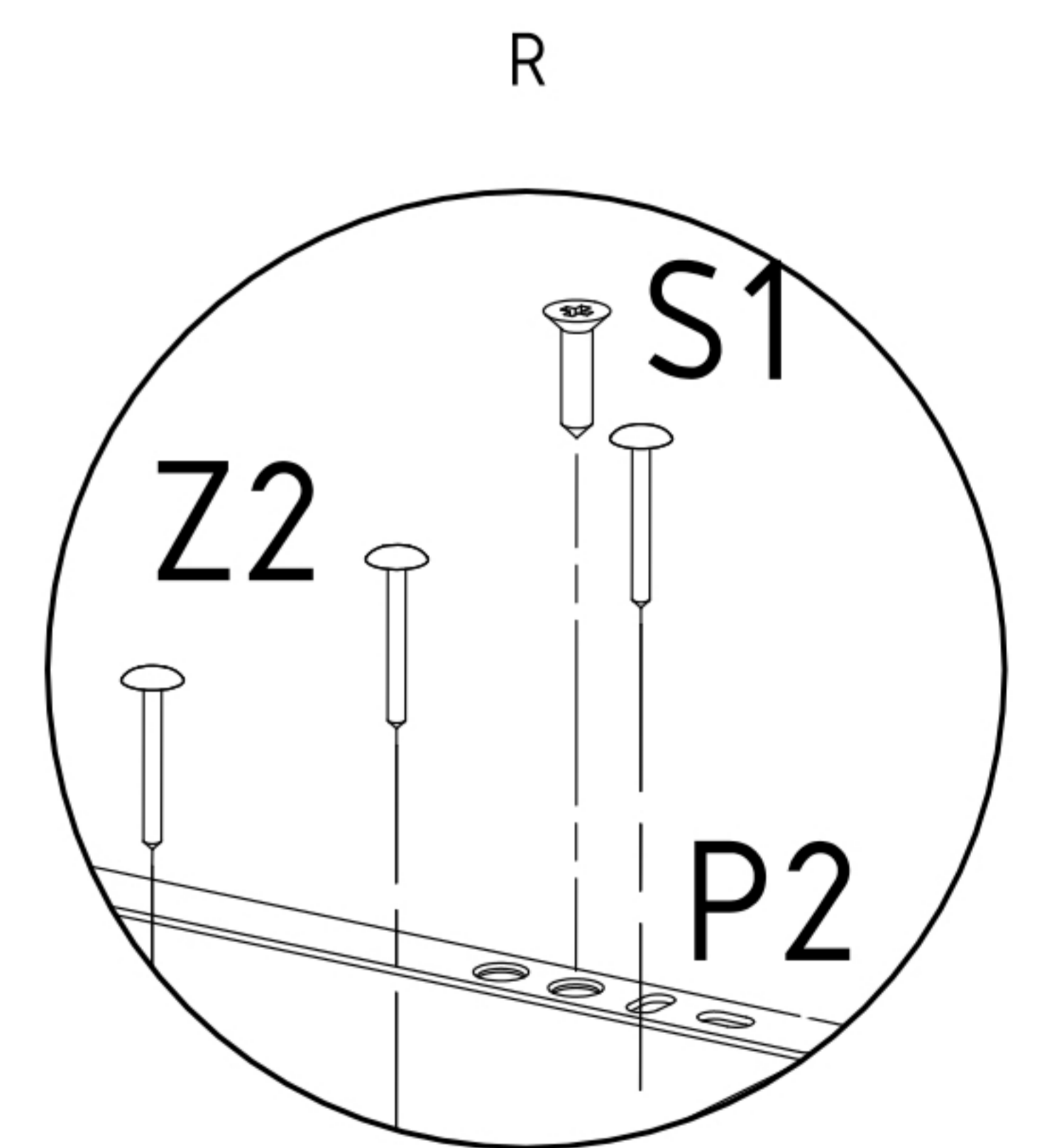
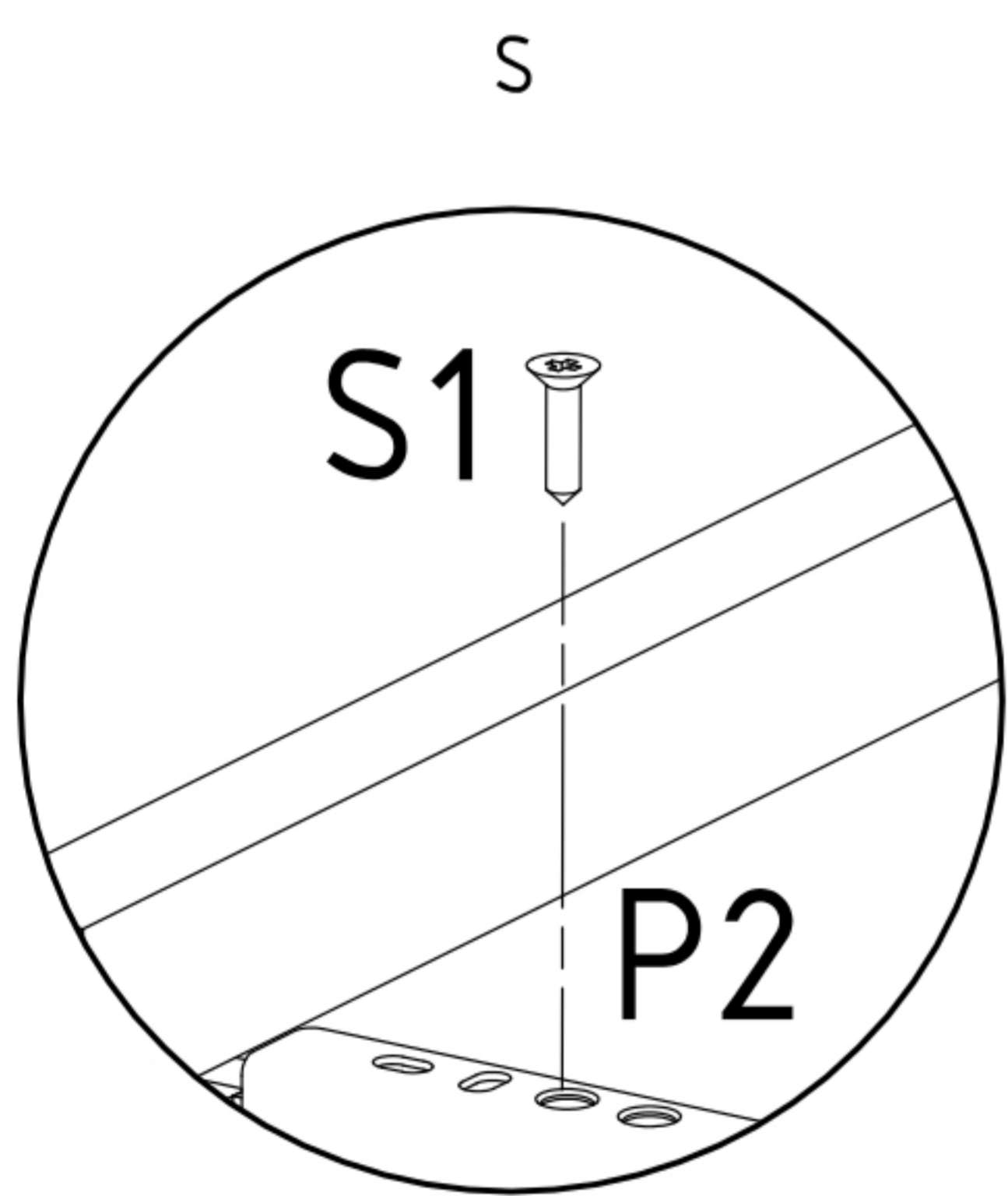


x24

**Z2**



x30



x6

