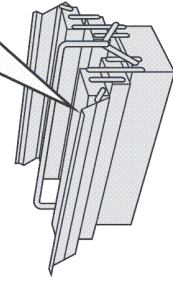
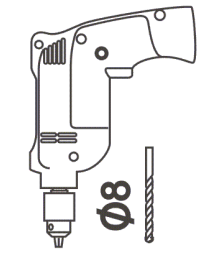
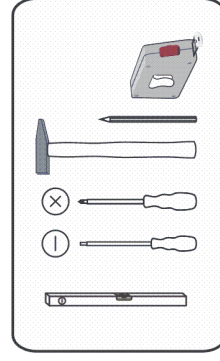
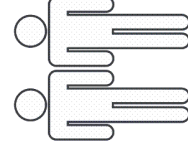
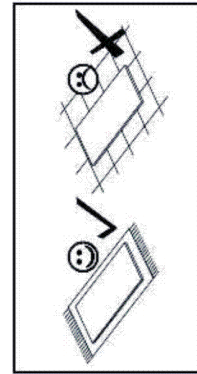
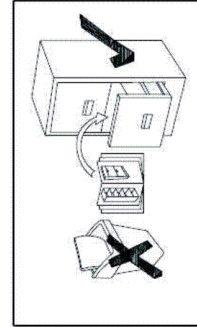
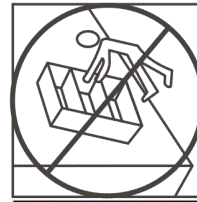
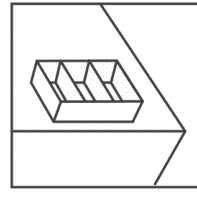
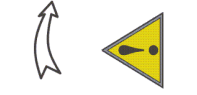
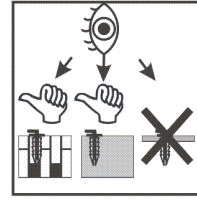
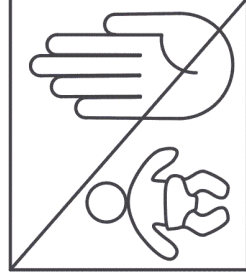
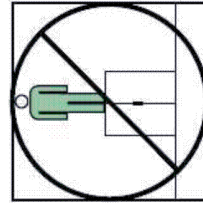
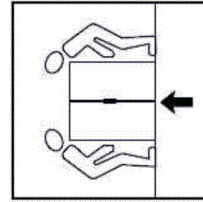
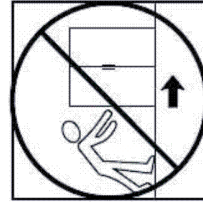
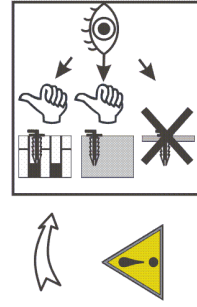
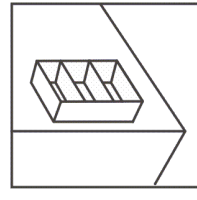
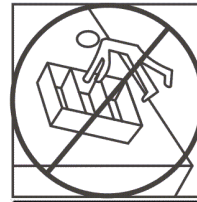
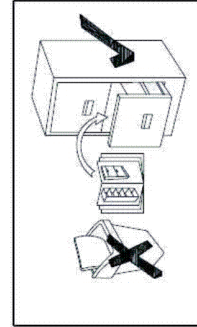
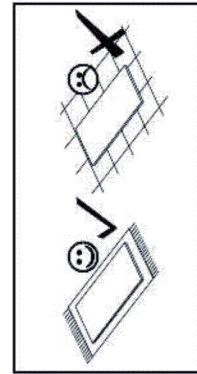
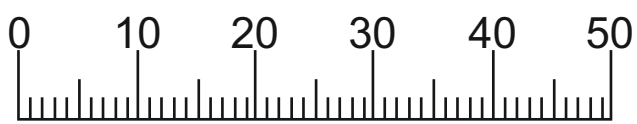
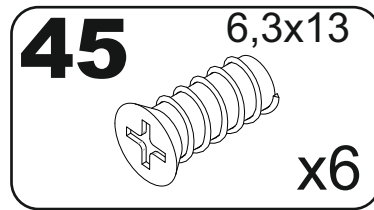
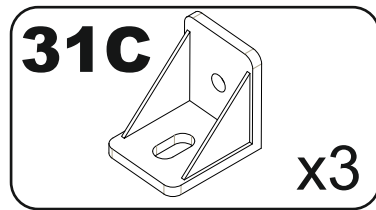
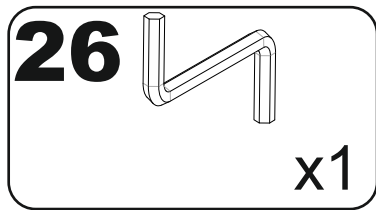
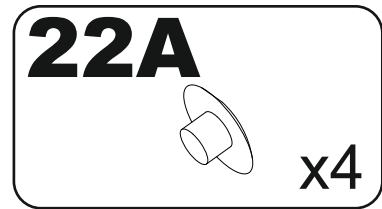
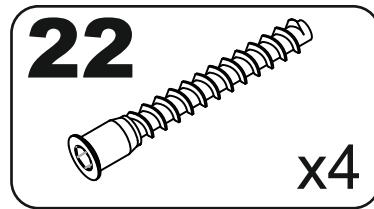
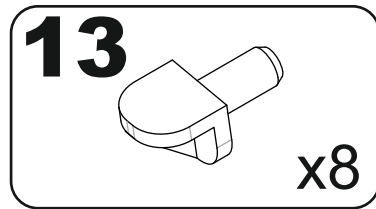
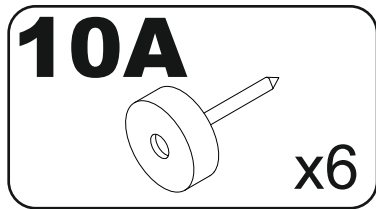
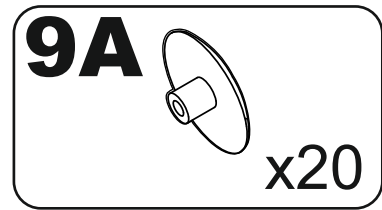
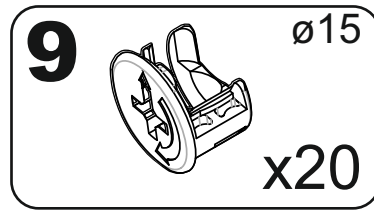
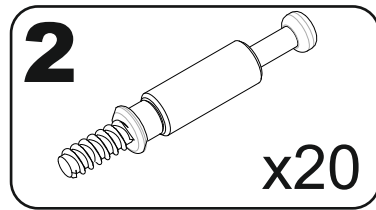
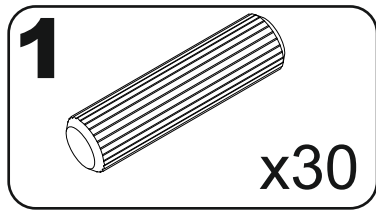
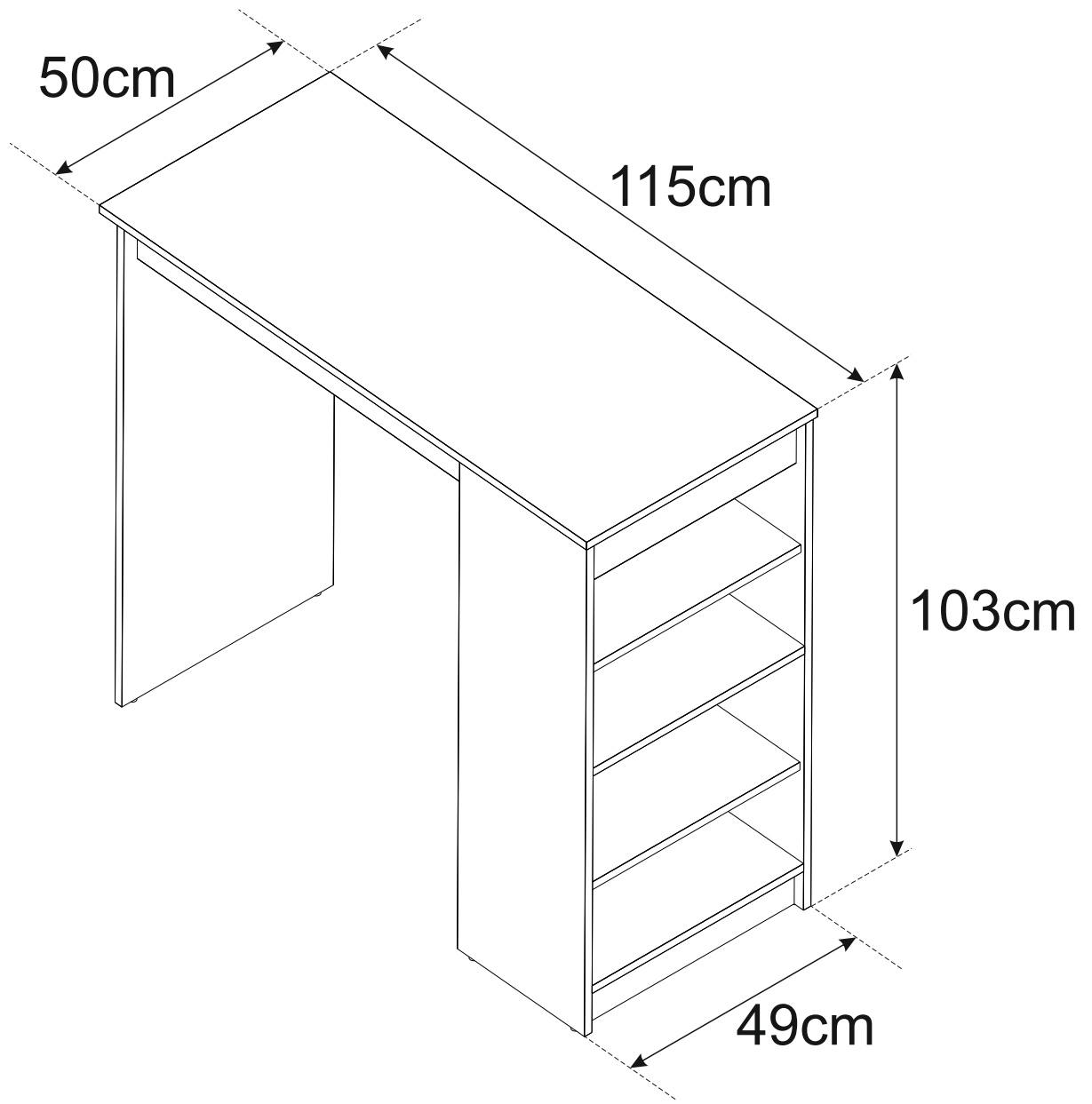
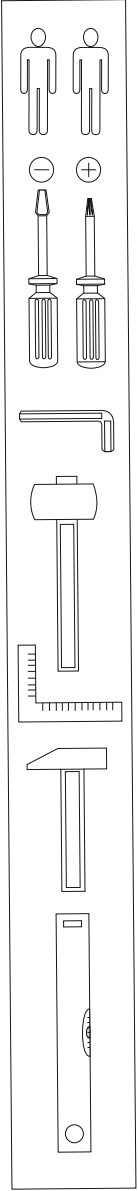
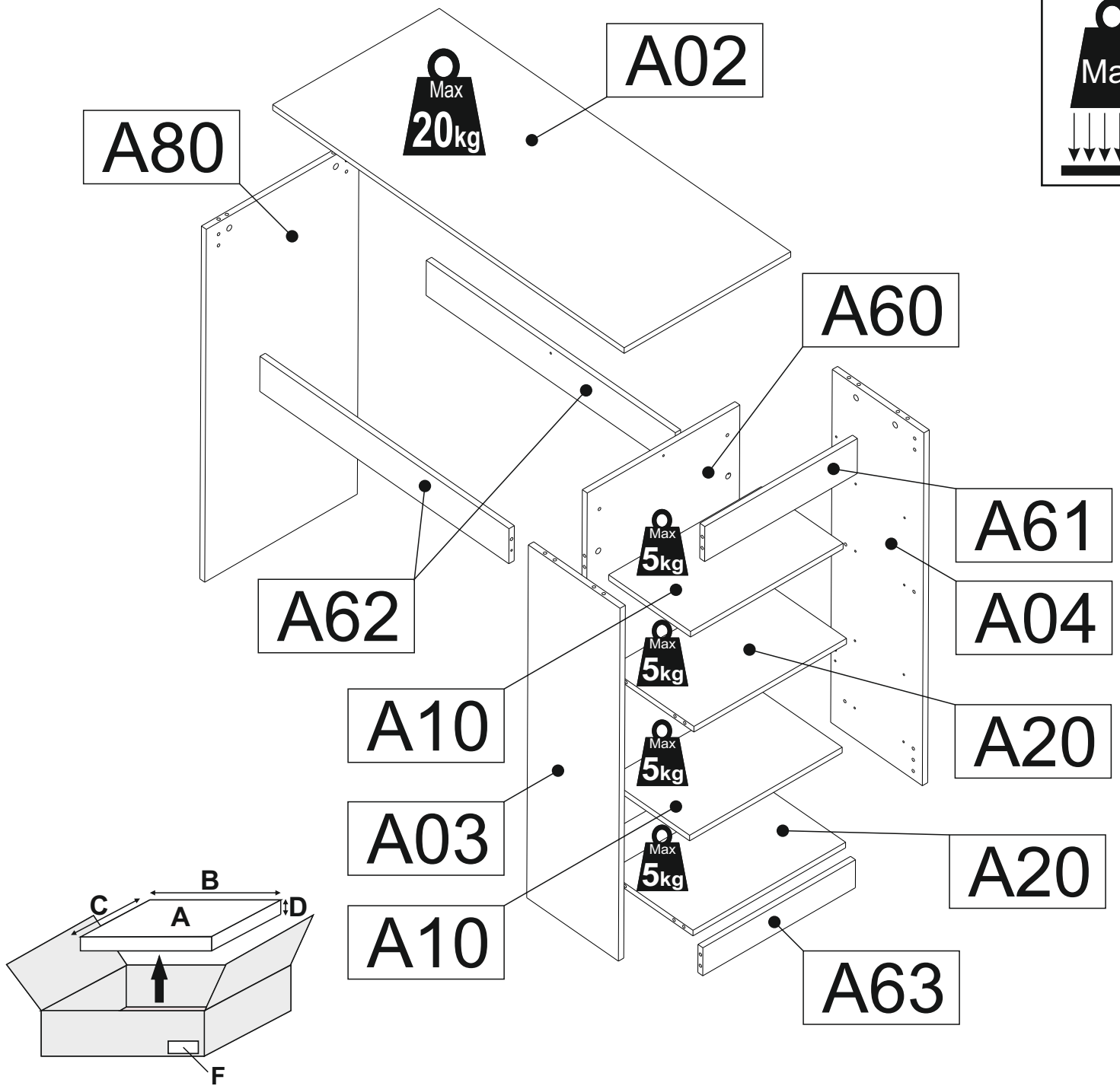
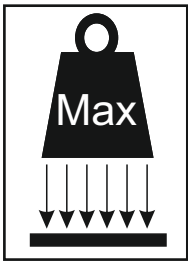


120 min







A	B (mm)	C (mm)	D (mm)	E	F
A02	1150	500	16	1	1 1
A03	1008	300	16	1	1 1
A04	1008	300	16	1	1 1
A10	458	268	16	2	1 1
A20	458	278	16	2	1 1
A60	1008	458	16	1	1 1
A61	458	100	16	1	1 1
A62	815	100	16	2	1 1
A63	458	80	16	1	1 1
A80	1008	458	16	1	1 1

1

1 x2
2 x7
9 $\varnothing 15$ x2

A03

Diagram 1 illustrates the assembly of plate A03. It shows a perspective view of the plate with 11 holes. Components 1 (cylindrical pins), 2 (screws), and 9 (washers) are being installed into these holes. The top edge has 2 holes for component 1, 2 holes for component 2, and 2 holes for component 9. The bottom edge has 2 holes for component 1, 2 holes for component 2, and 2 holes for component 9. Two inset diagrams show the correct installation of component 1 into a hole and component 9 into a hole. A third inset diagram shows a pen nib being inserted into component 2.

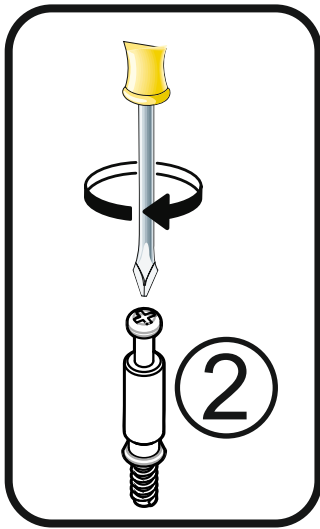
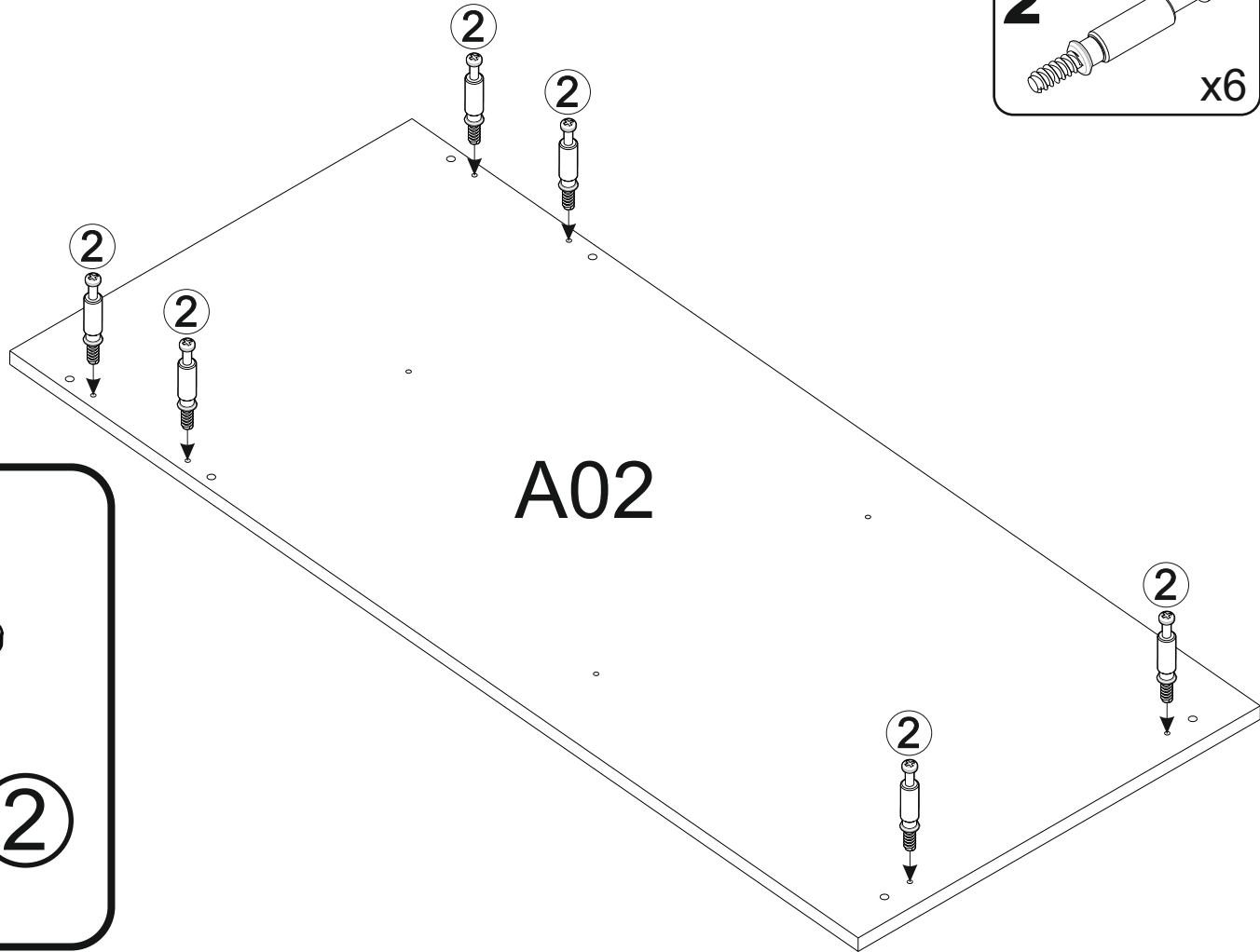
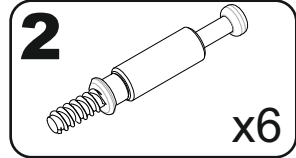
2

1 x2
2 x7
9 $\varnothing 15$ x2

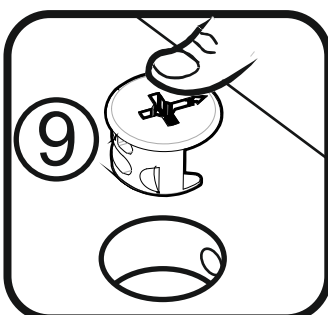
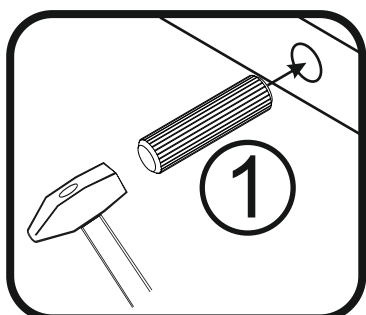
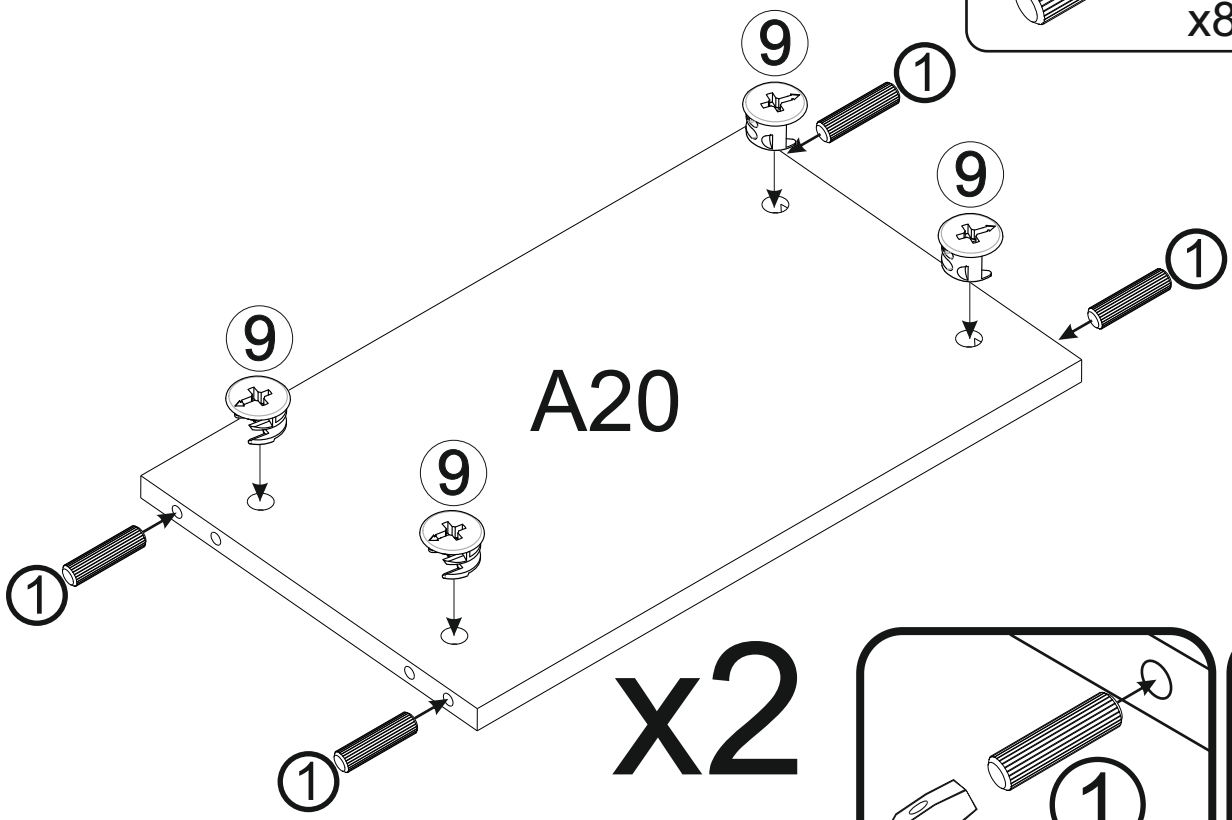
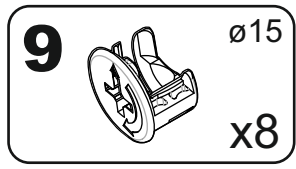
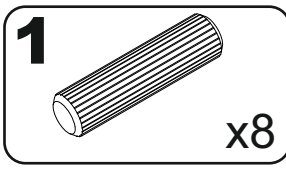
A04

Diagram 2 illustrates the assembly of plate A04. It shows a perspective view of the plate with 11 holes. Components 1 (cylindrical pins), 2 (screws), and 9 (washers) are being installed into these holes. The top edge has 2 holes for component 1, 2 holes for component 2, and 2 holes for component 9. The bottom edge has 2 holes for component 1, 2 holes for component 2, and 2 holes for component 9. Two inset diagrams show the correct installation of component 1 into a hole and component 9 into a hole. A third inset diagram shows a pen nib being inserted into component 2.

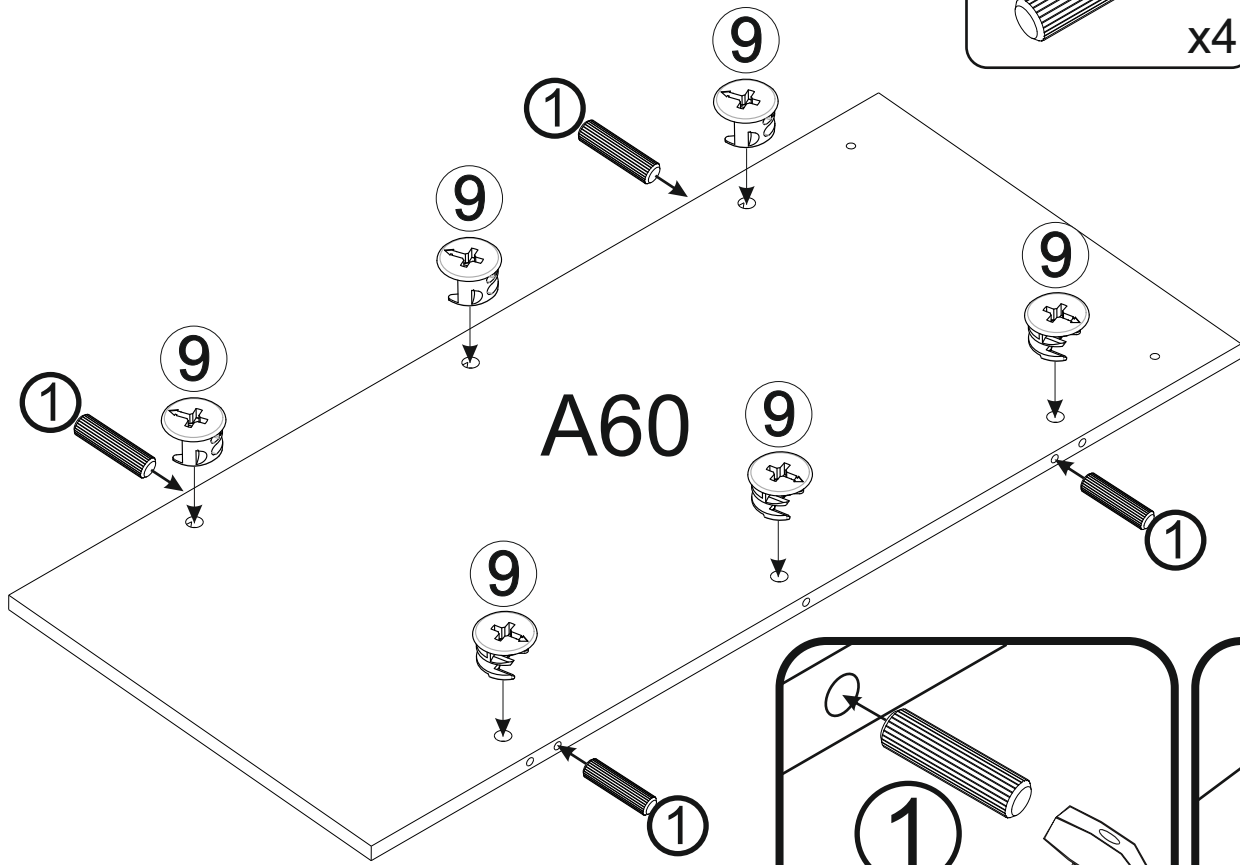
3



4



5



1 x4

9 ø15
x6

1

9

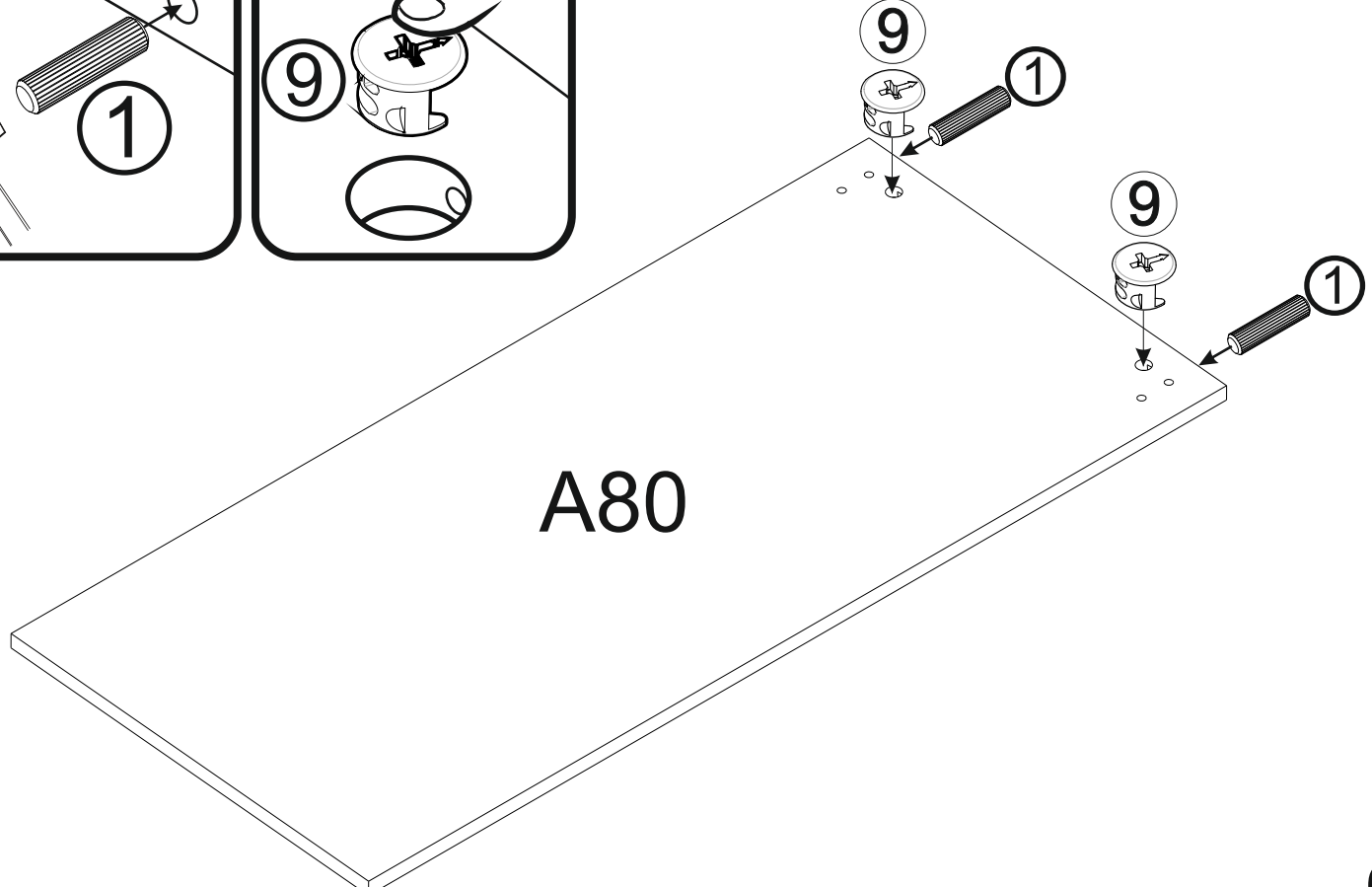
6

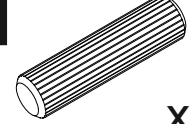
1

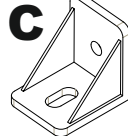
9


1 x2

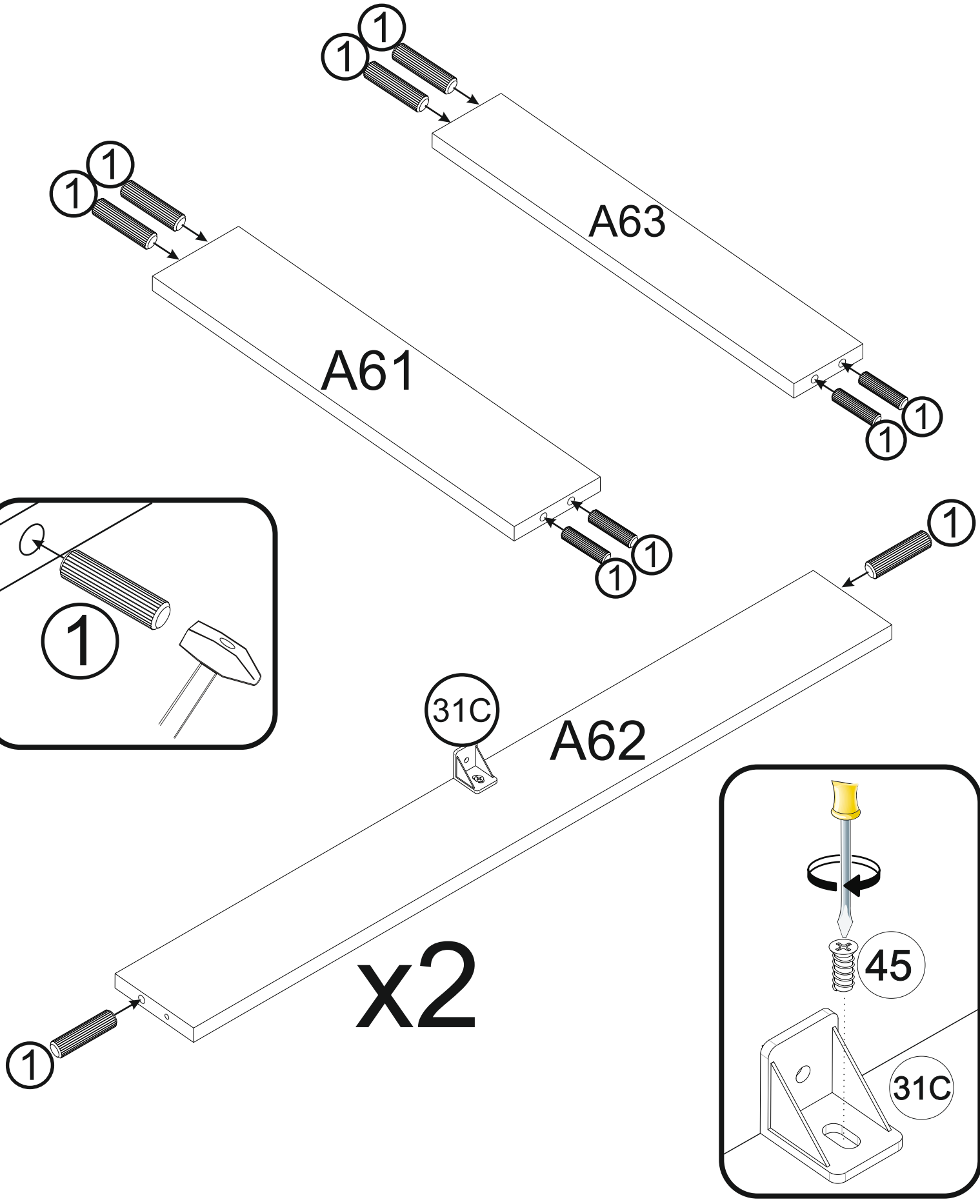
9 ø15
x2

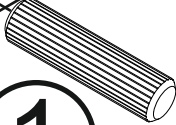
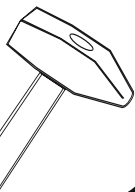



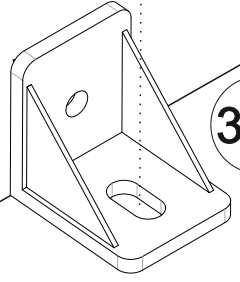
1  x12

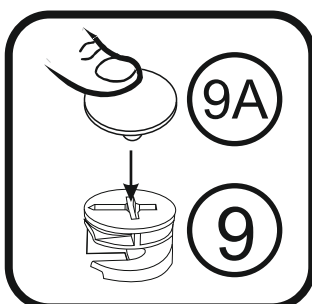
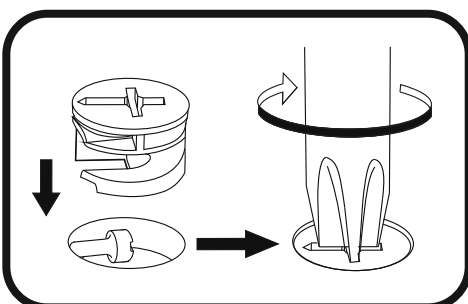
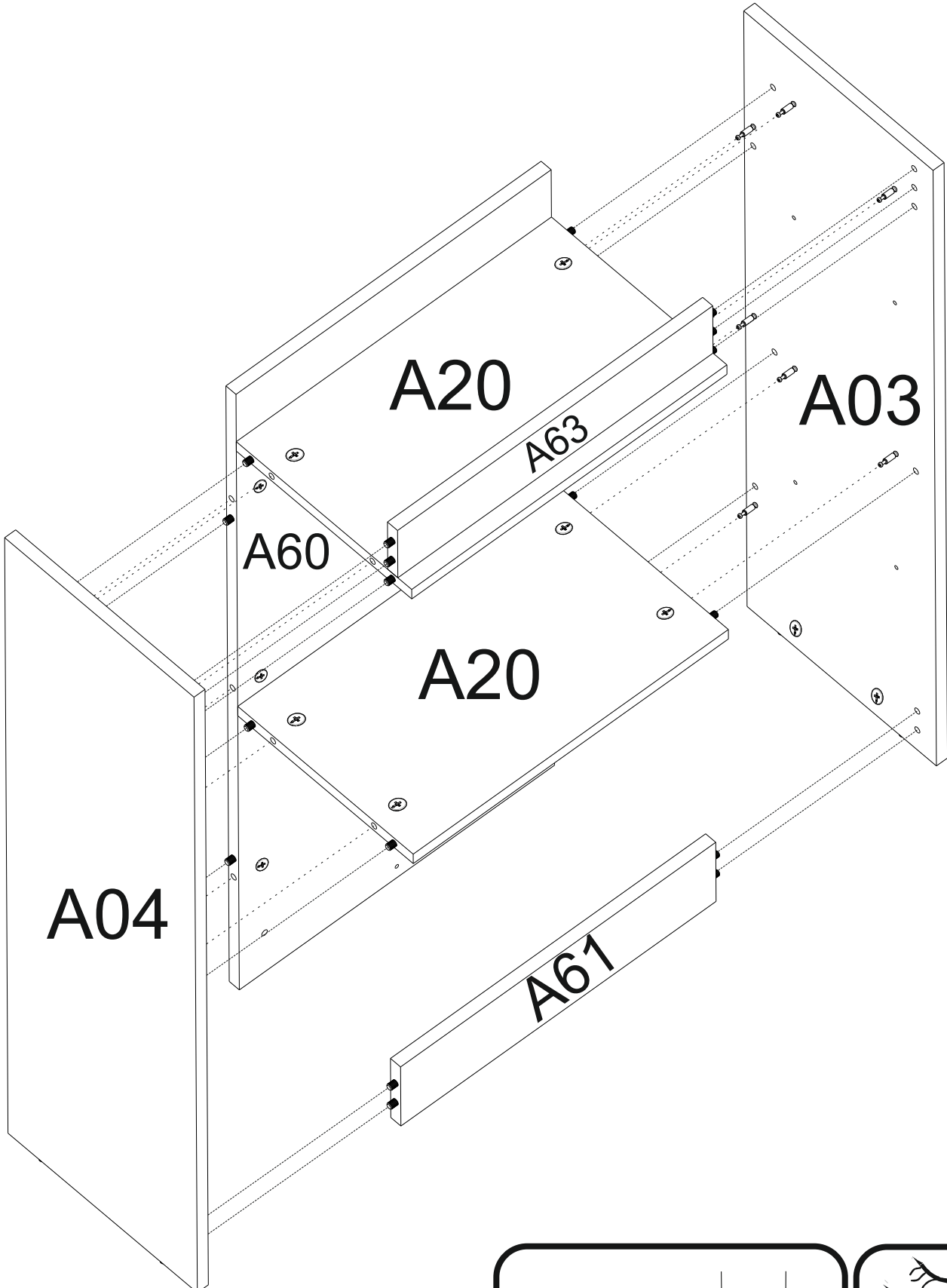
31C  x2

45  6,3x13 x2

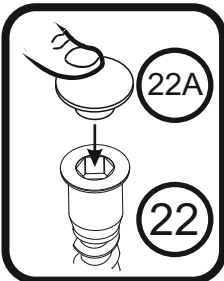
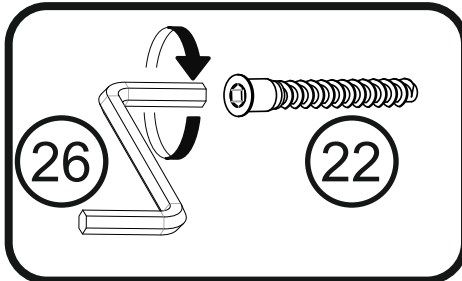
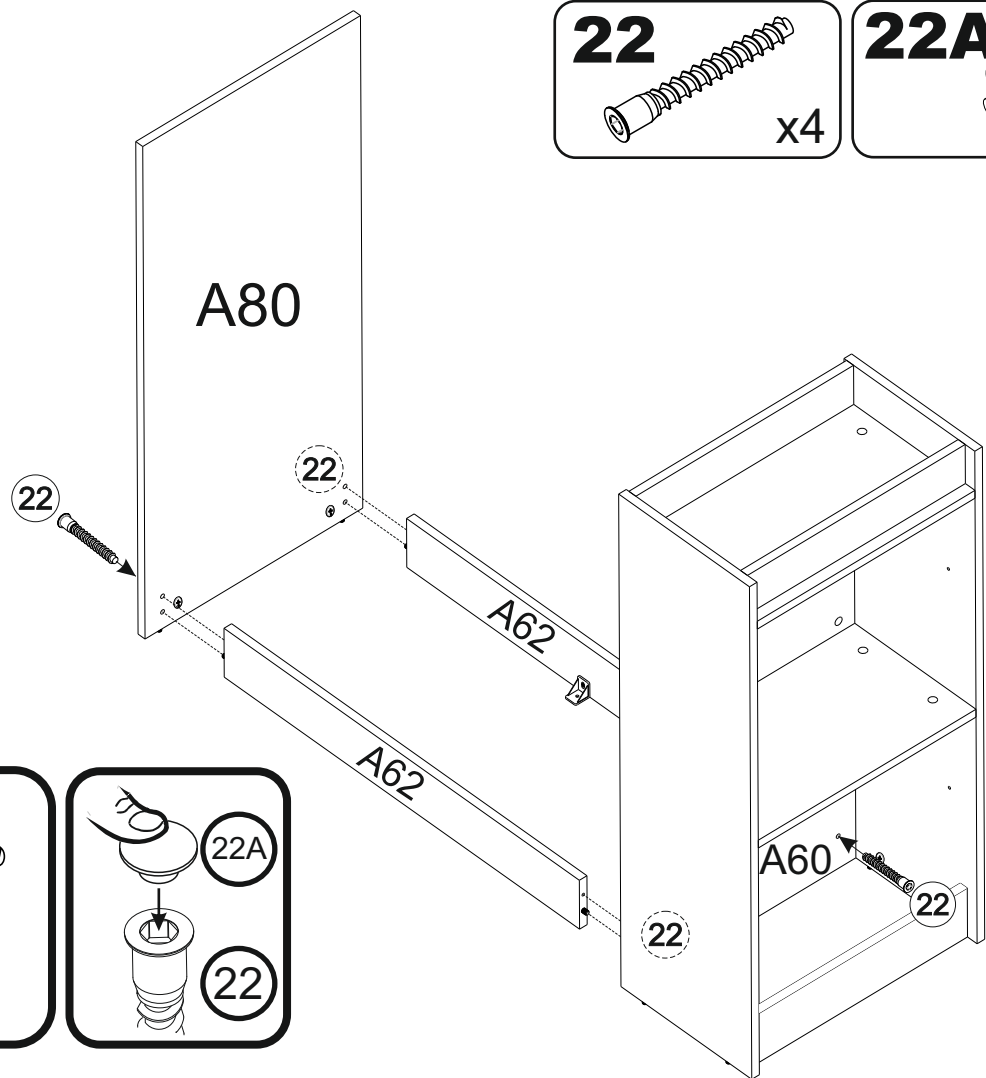
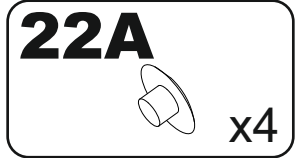
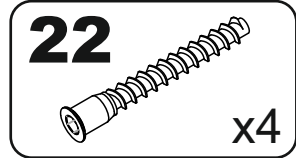


1  

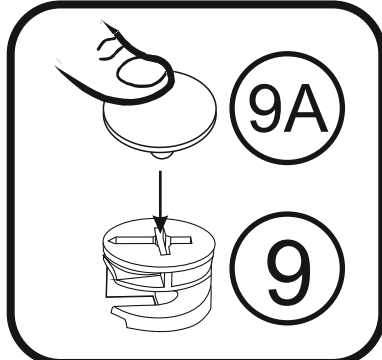
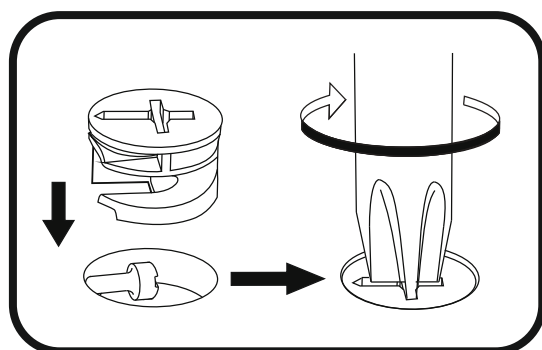
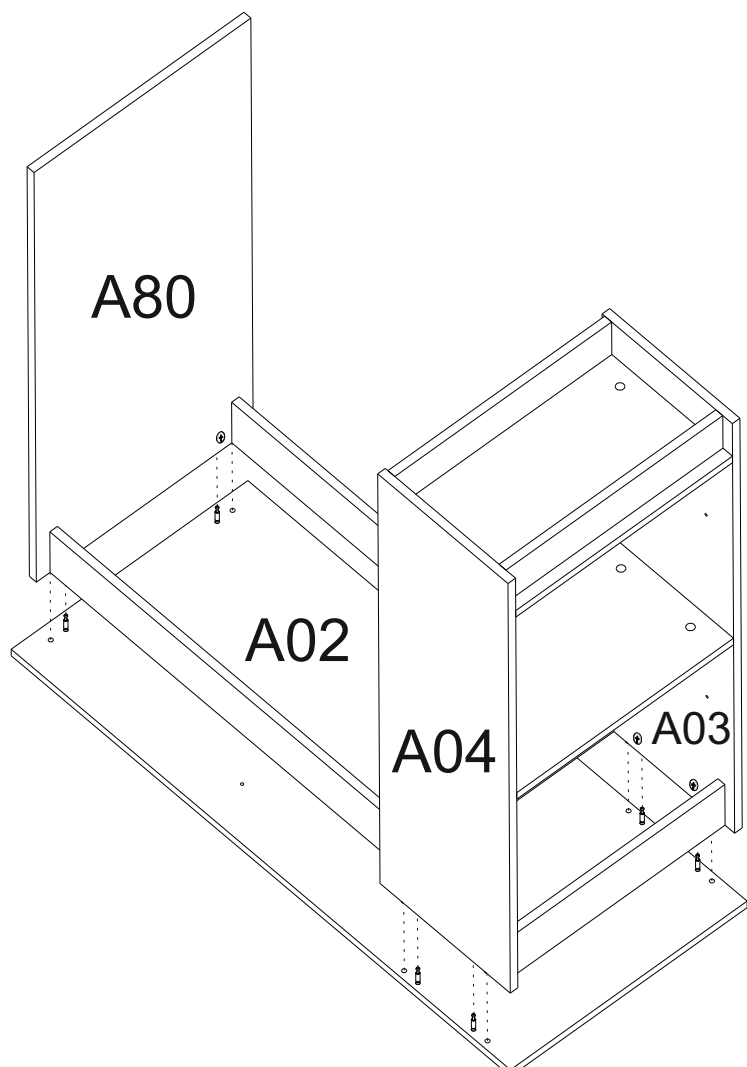
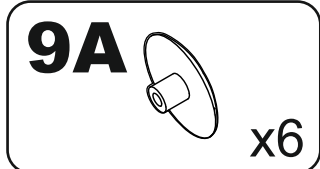
45  **31C** 



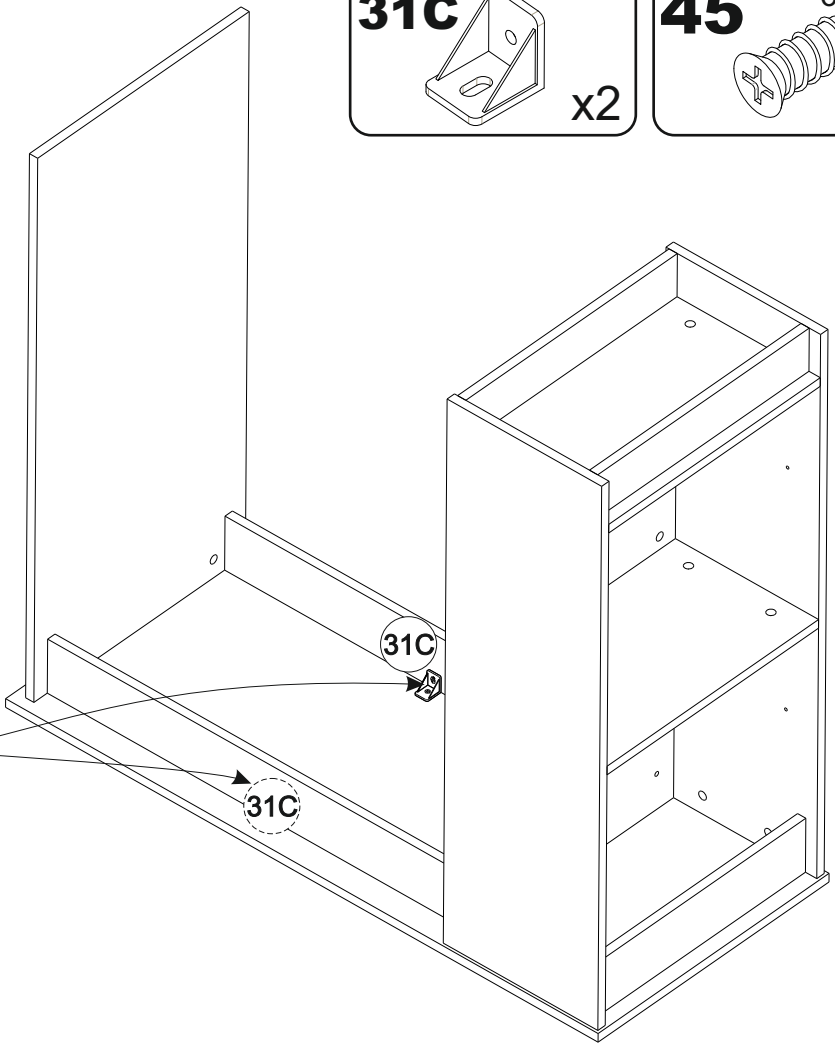
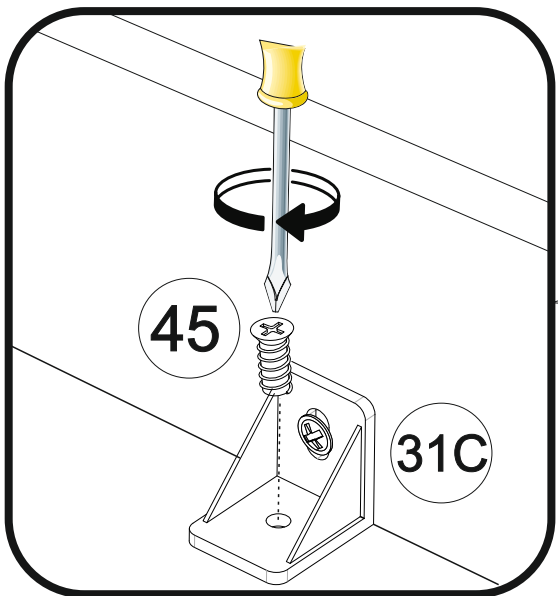
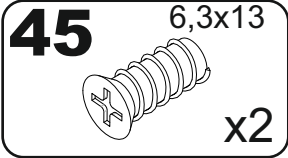
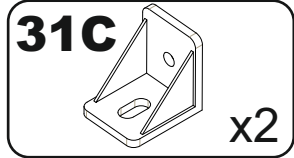
9



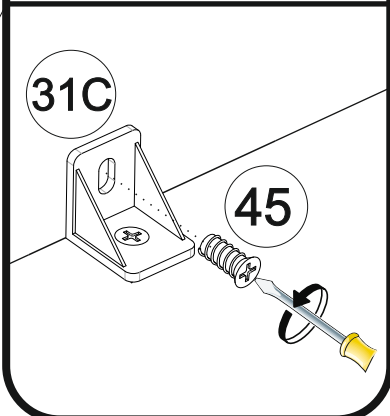
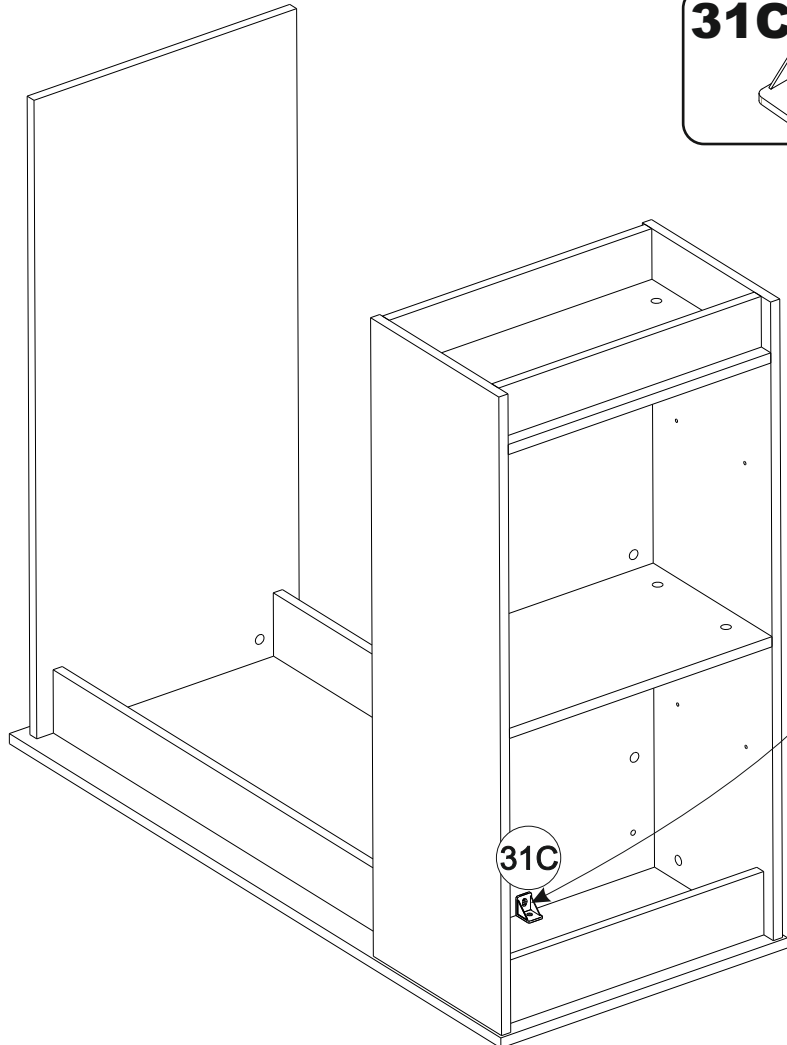
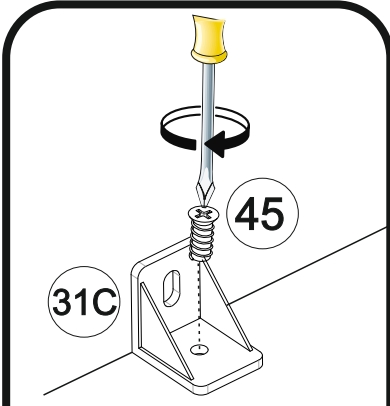
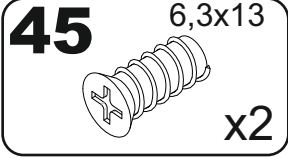
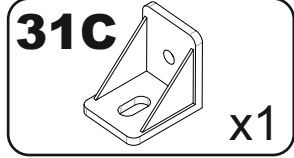
10



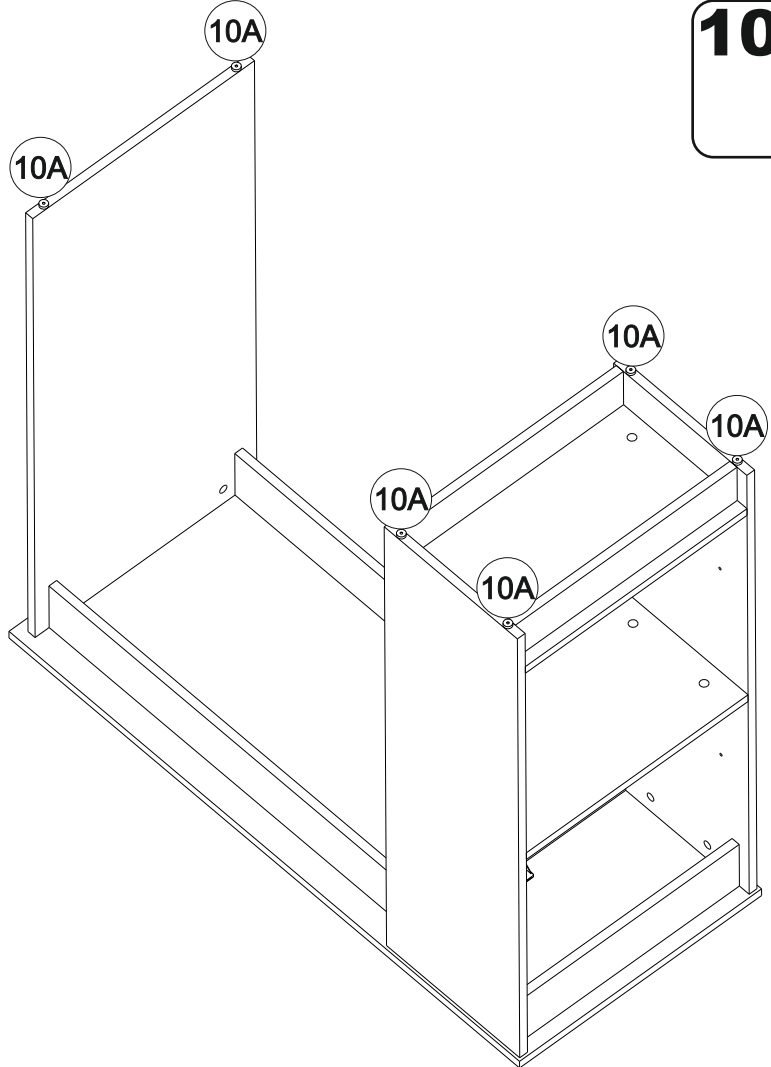
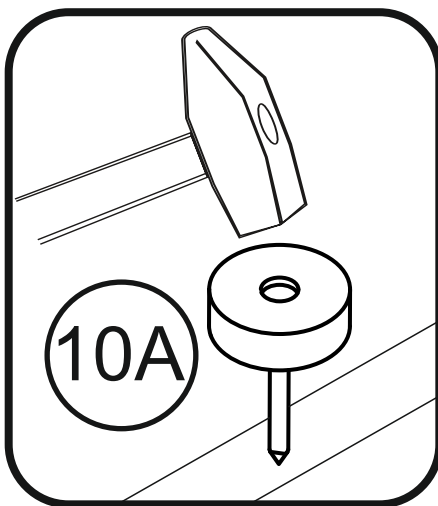
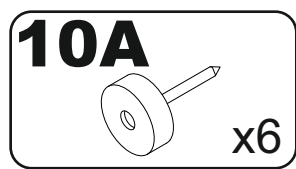
11



12



13



14

