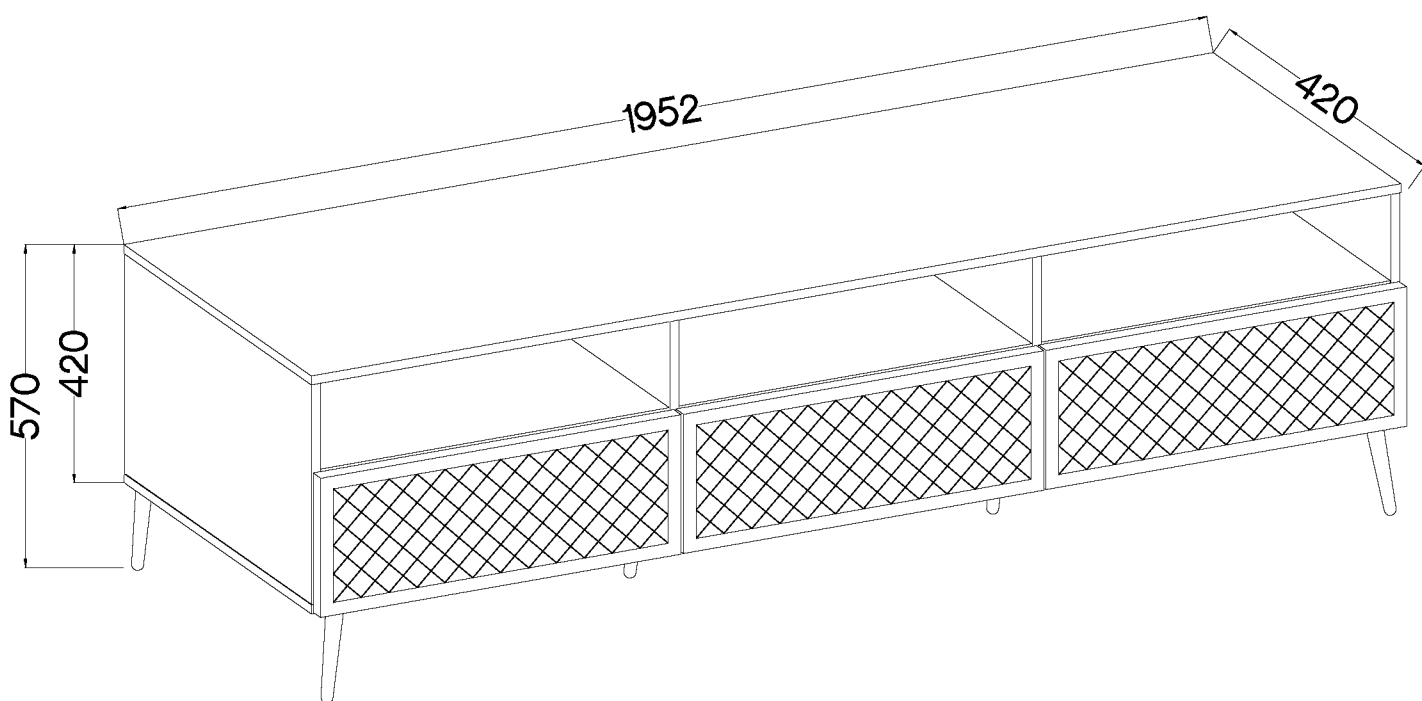
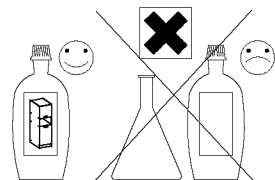
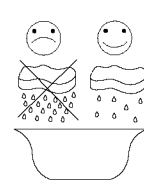


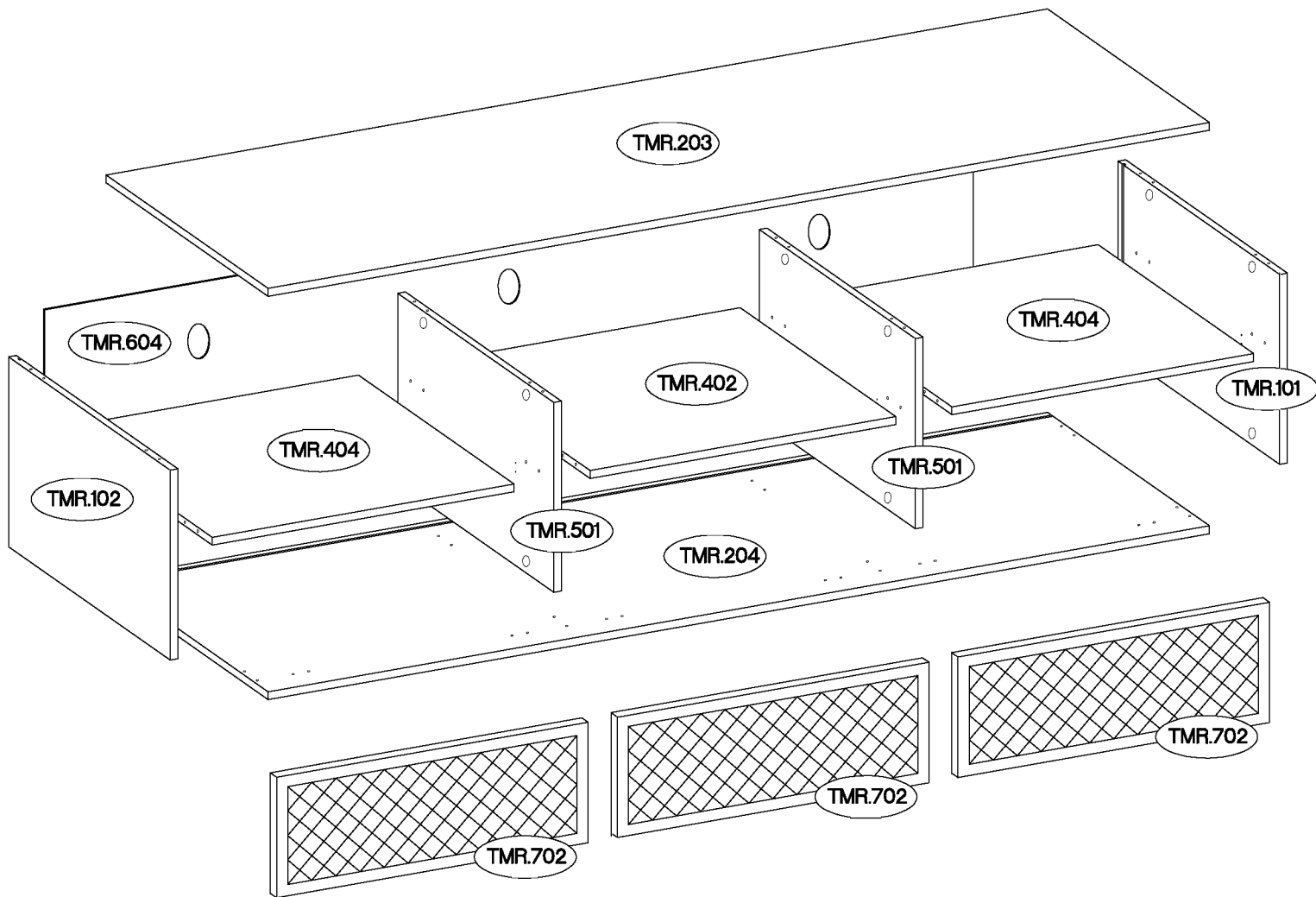
60 min

TYP 303



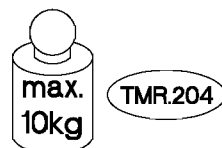
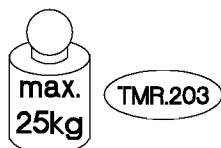
 A 20	 A2 4	 C 28	 D2 20	 D4 4	 E 28	 F31 6		
 HG 6	 K33 3	 L 12	 L9 1	 L33 3	 O7 1	 P1 24	 P5 19	 P7 6

ISM-TMR-002

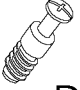




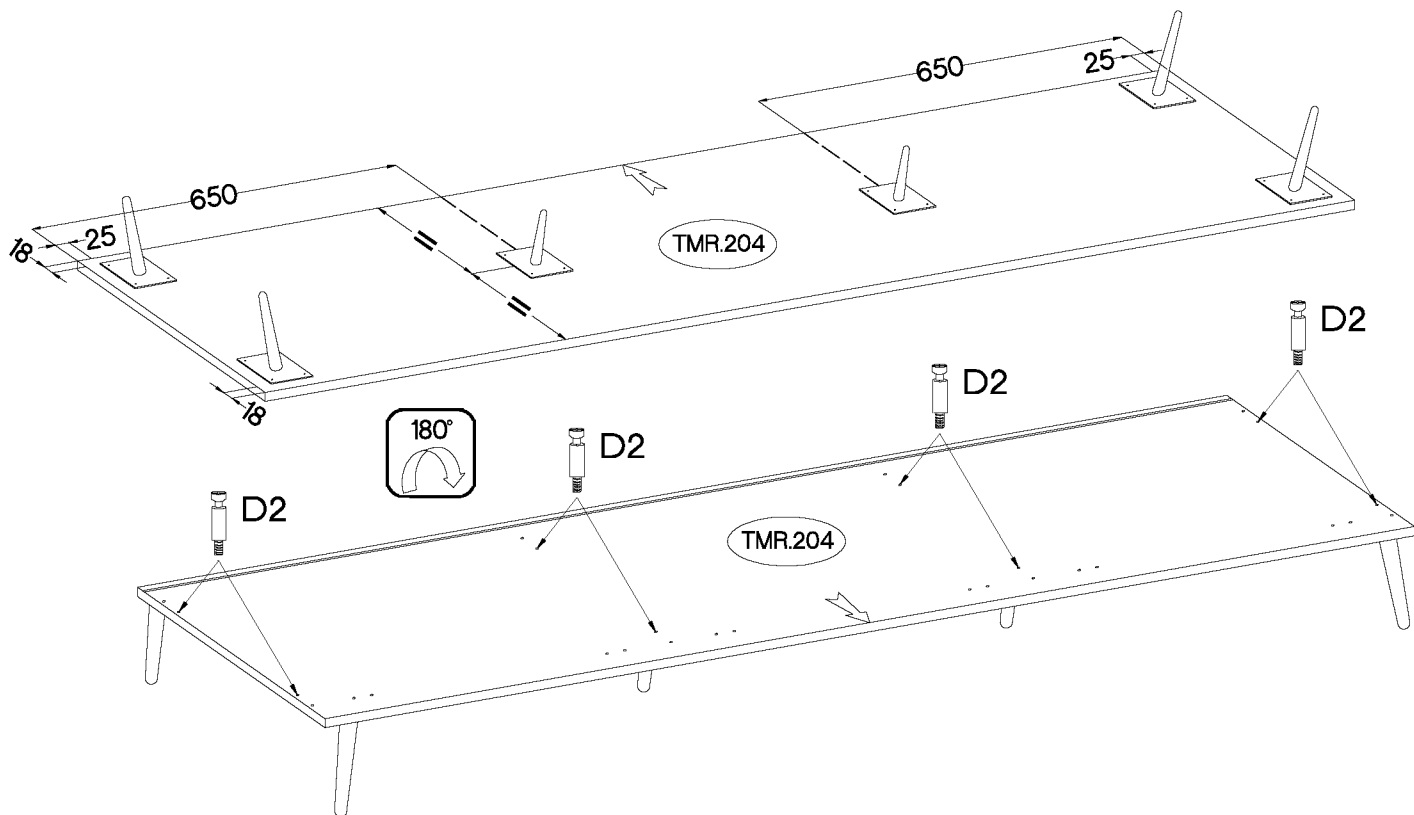
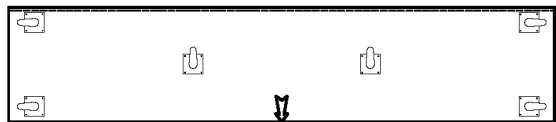
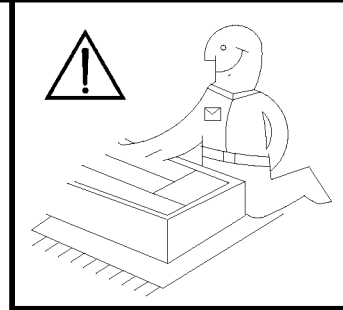
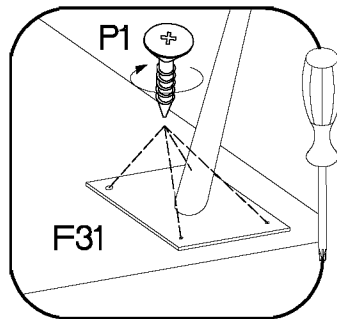
	Ersatzteil Nummer	Dimension
	TMR.101	388x403x16
	TMR.102	388x403x16
	TMR.501 x2	388x389x16
	TMR.402	634x388x16
	TMR.404 x2	626x388x16
	TMR.702 x3	246x646x16

	Ersatzteil Nummer	Dimension
	TMR.203	1952x404x16
	TMR.204	1952x404x16
	TMR.604	1927x397x2,5

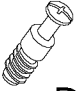


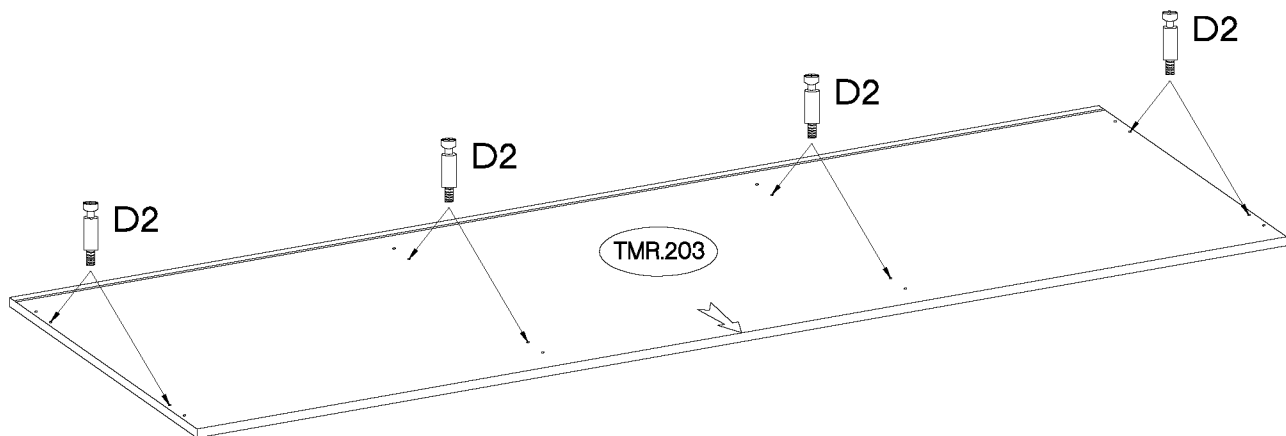
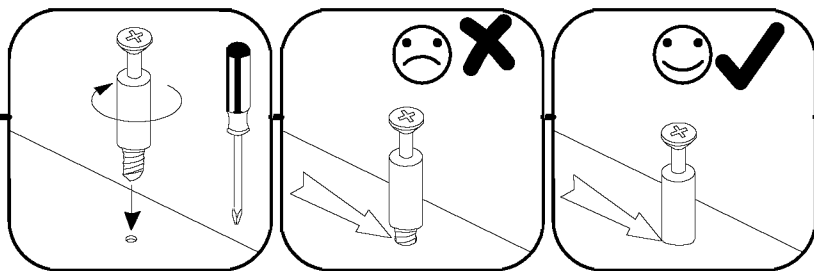
1

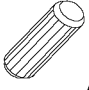
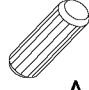
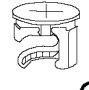
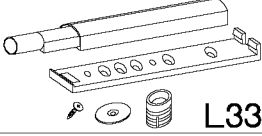

L=20mm  D2 8	L=150mm  F31 6	4.0x16mm  P1 24
---	---	--

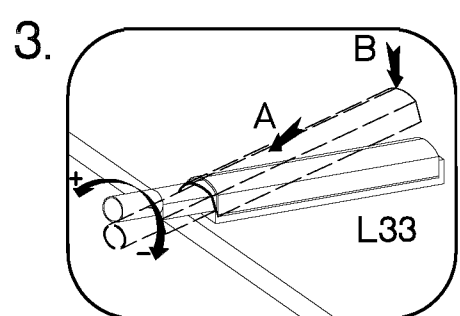
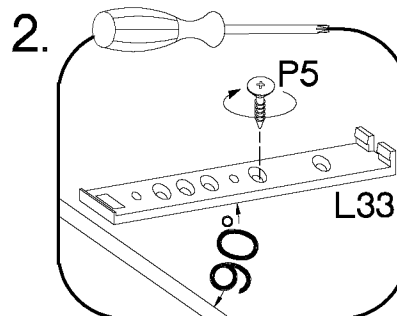
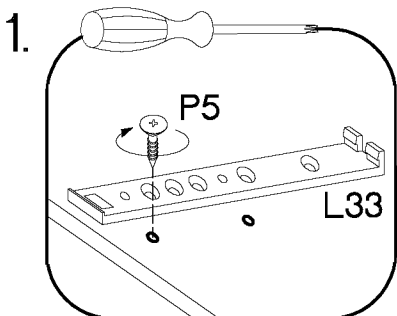
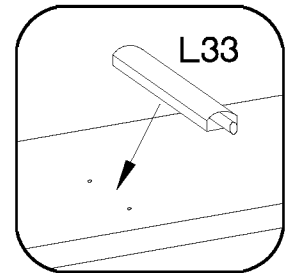
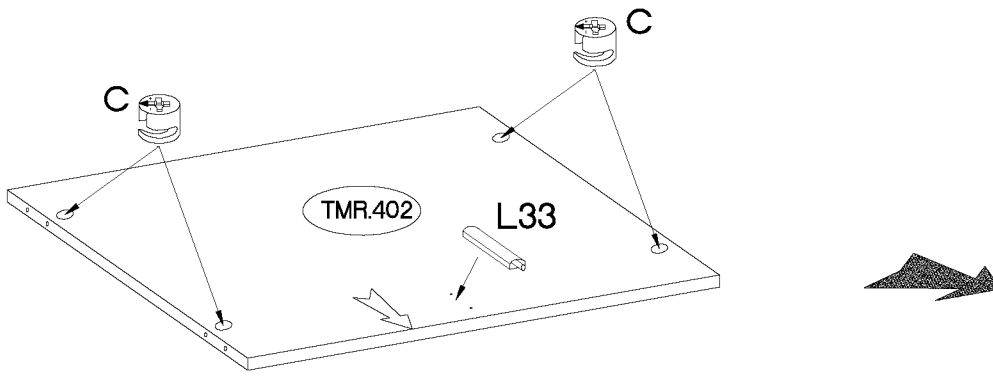
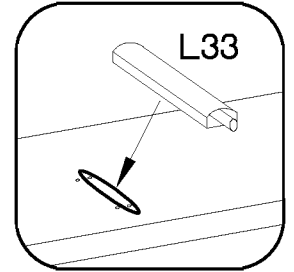
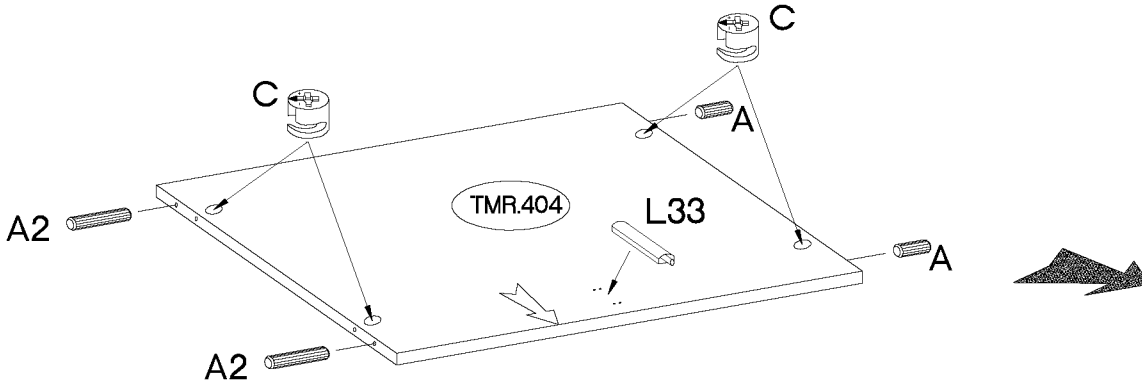
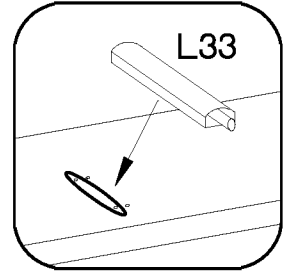
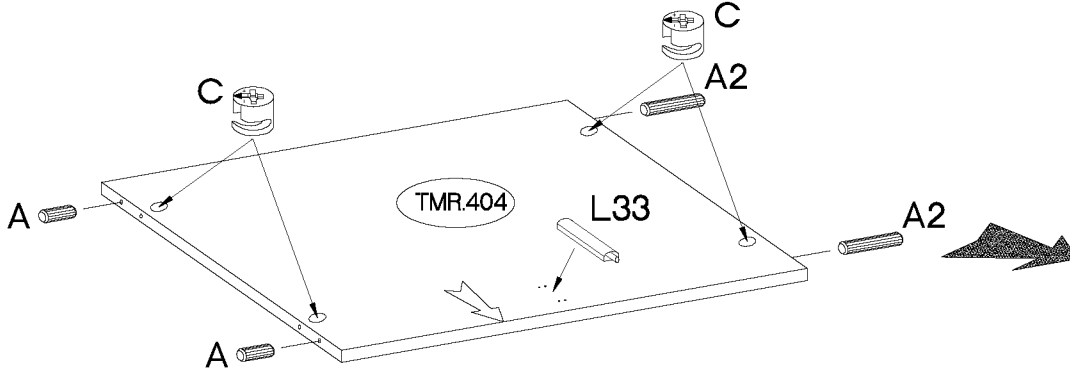
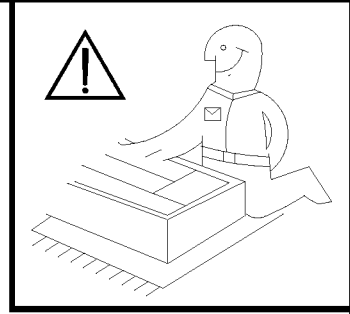


2

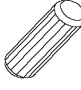


L=20mm  D2 8
--

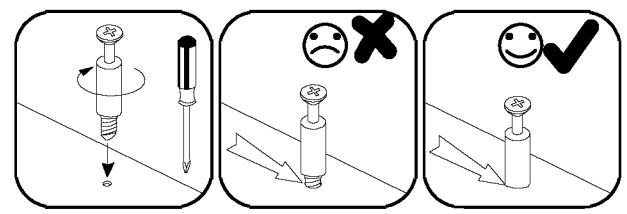
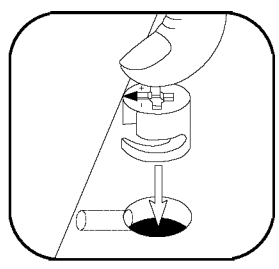
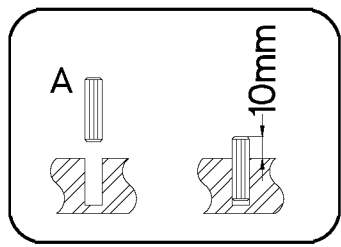
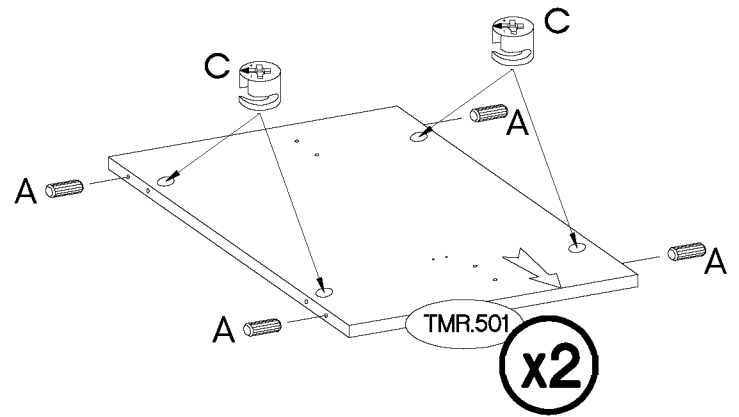
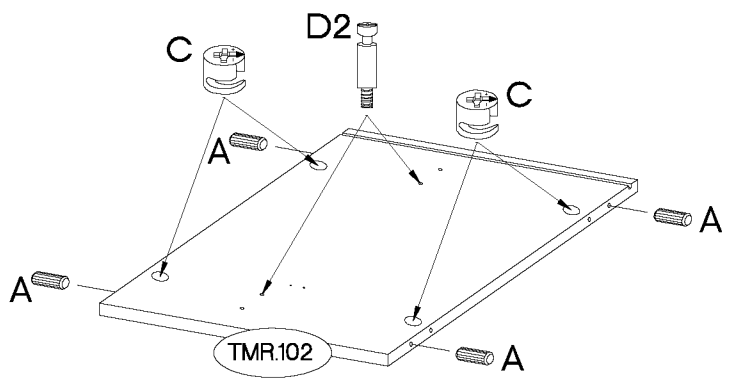
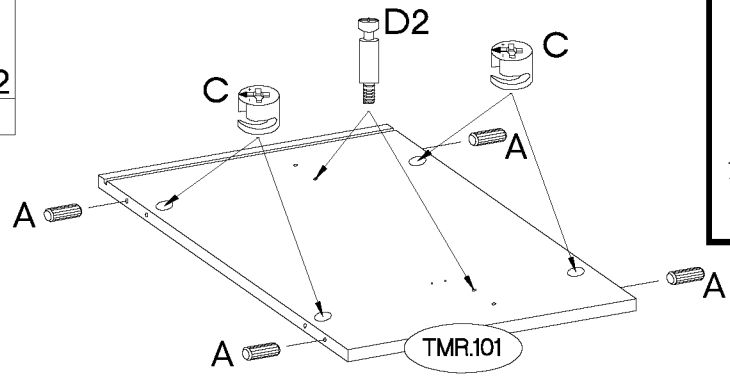
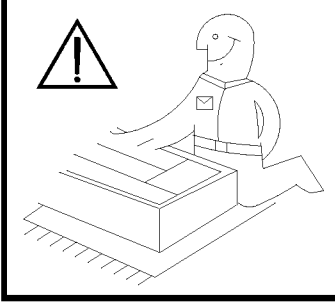


 ±8x30mm A	 ±8x60mm A2	 ±15/12mm C	 L33	 ±3.5x13mm P5
4	4	12	3	6

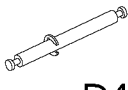


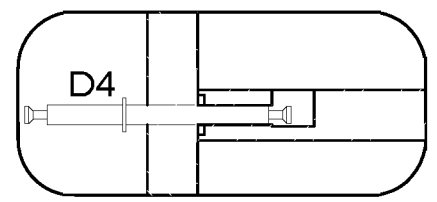
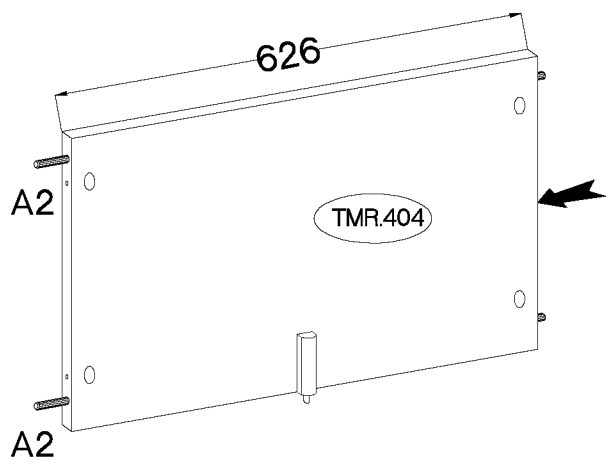
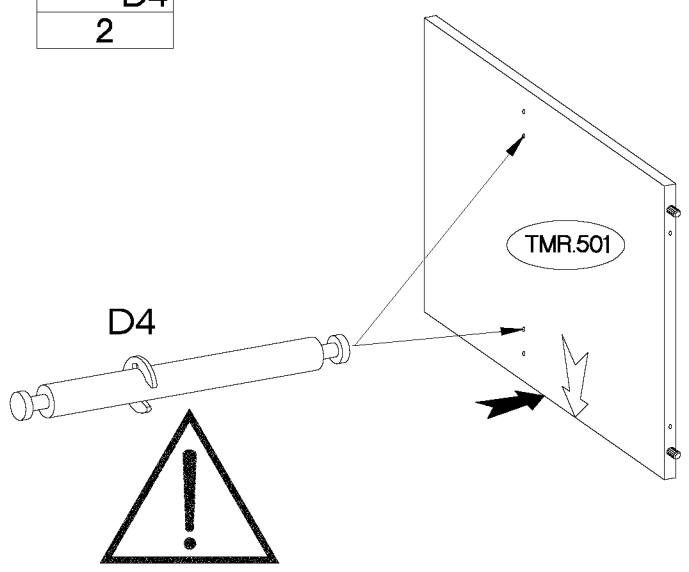
4

±8x30mm  A 16	±15/12mm  C 16	L=20mm  D2 4
--	---	---



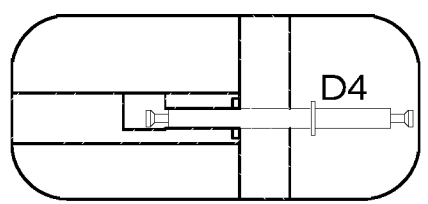
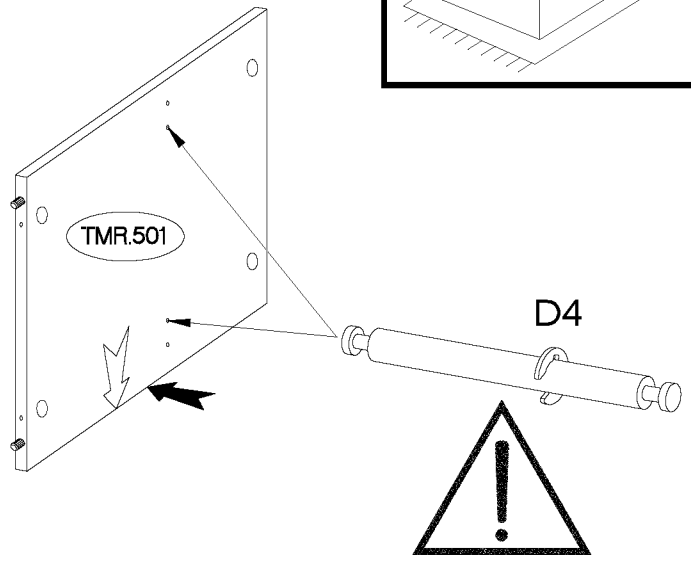
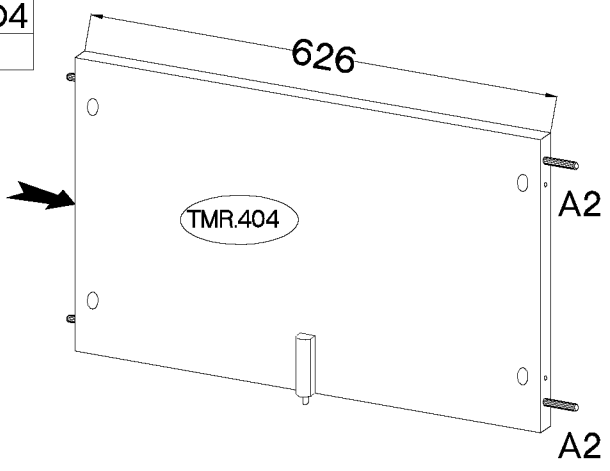
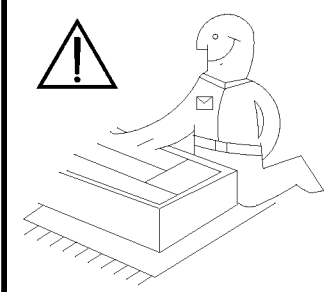
5

L=56mm  D4 2
--

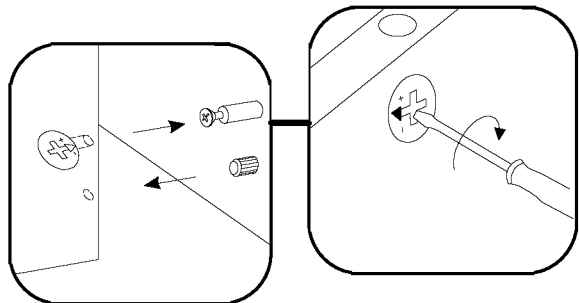
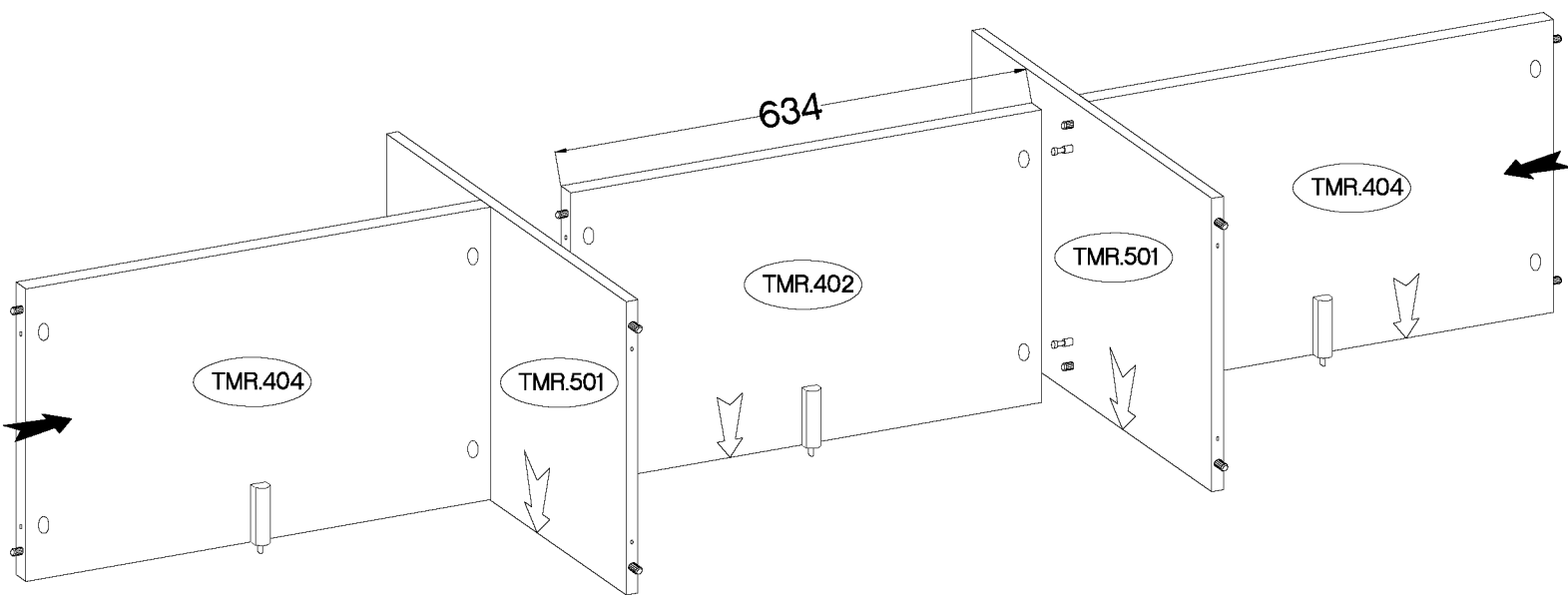


6

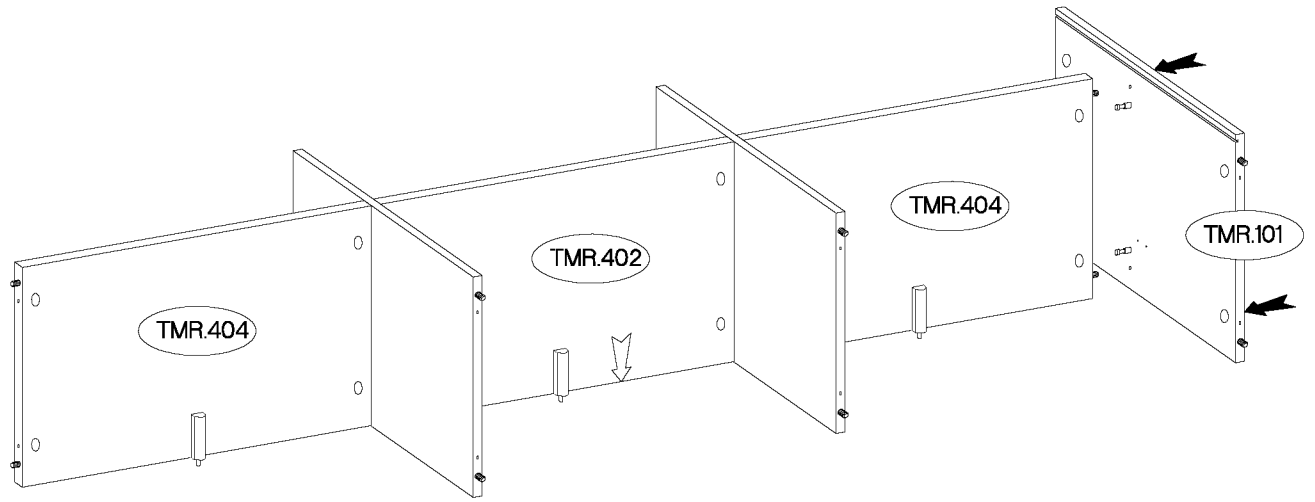
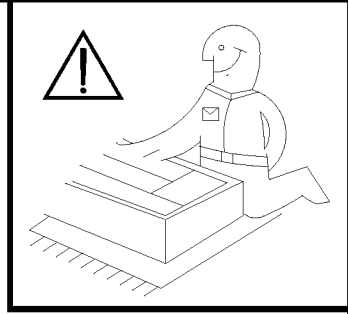
L=56mm
D4
2



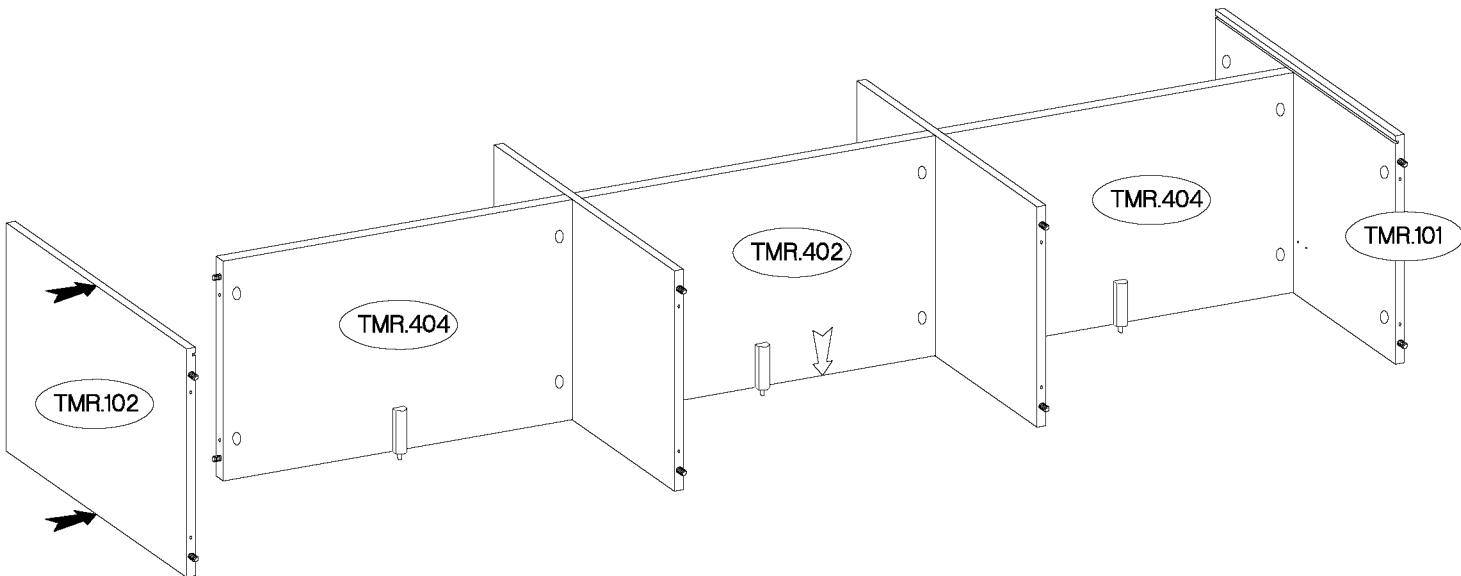
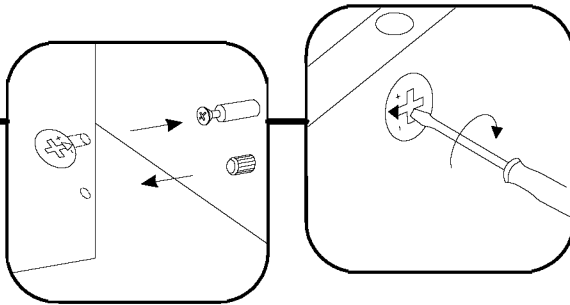
7



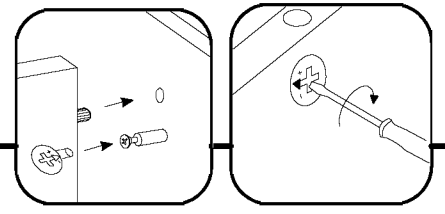
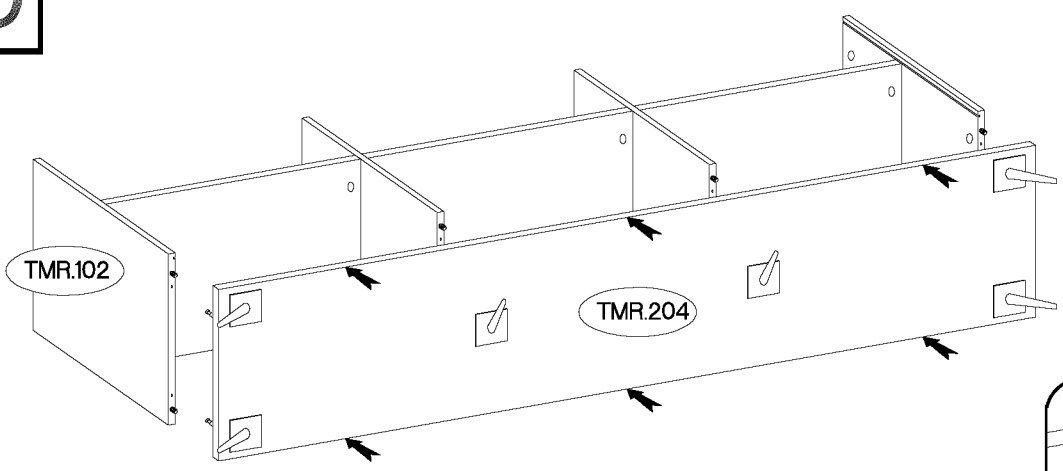
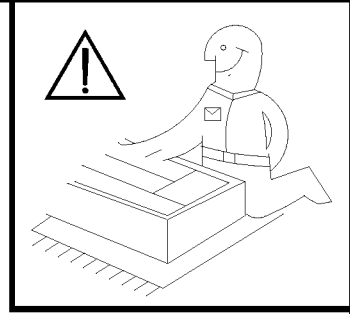
8



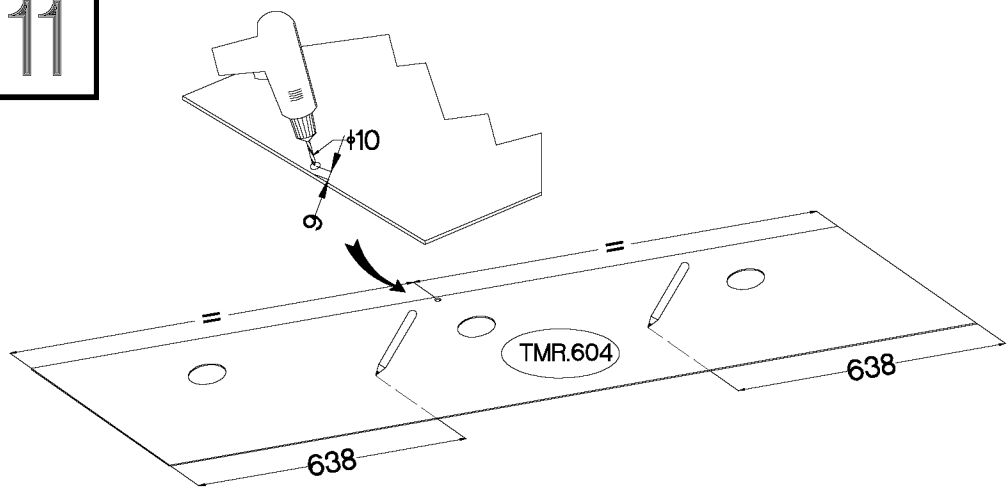
9



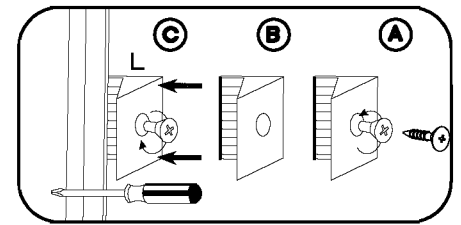
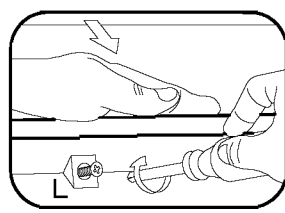
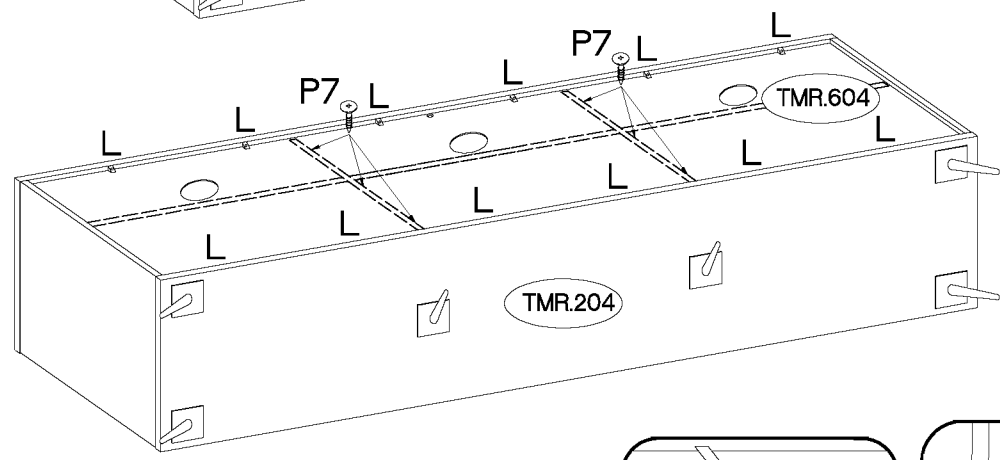
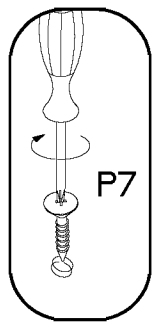
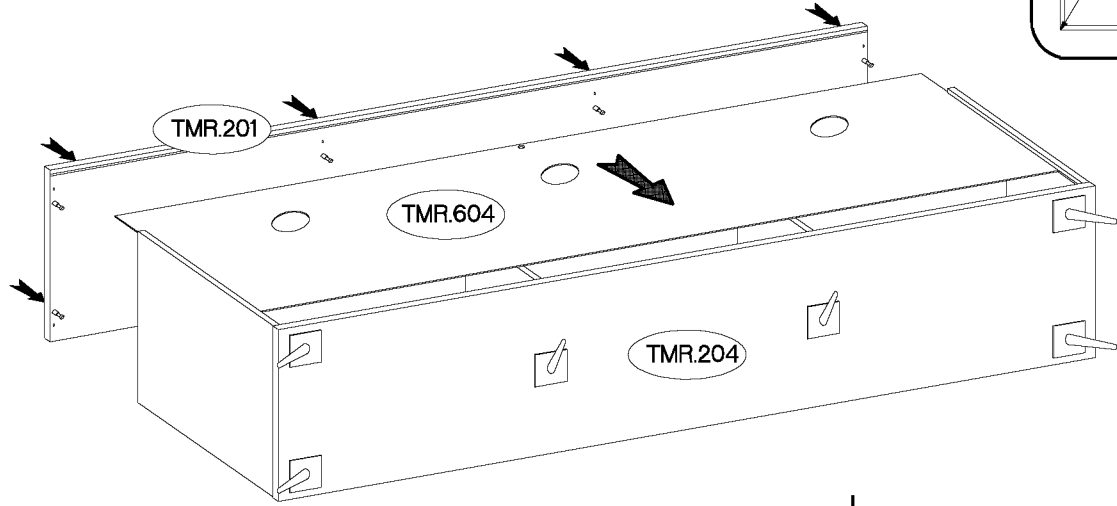
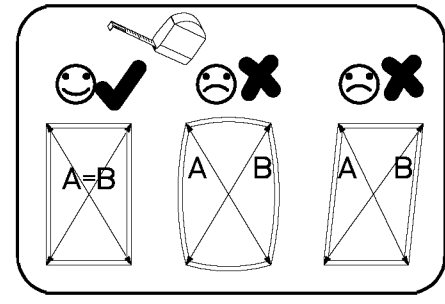
10






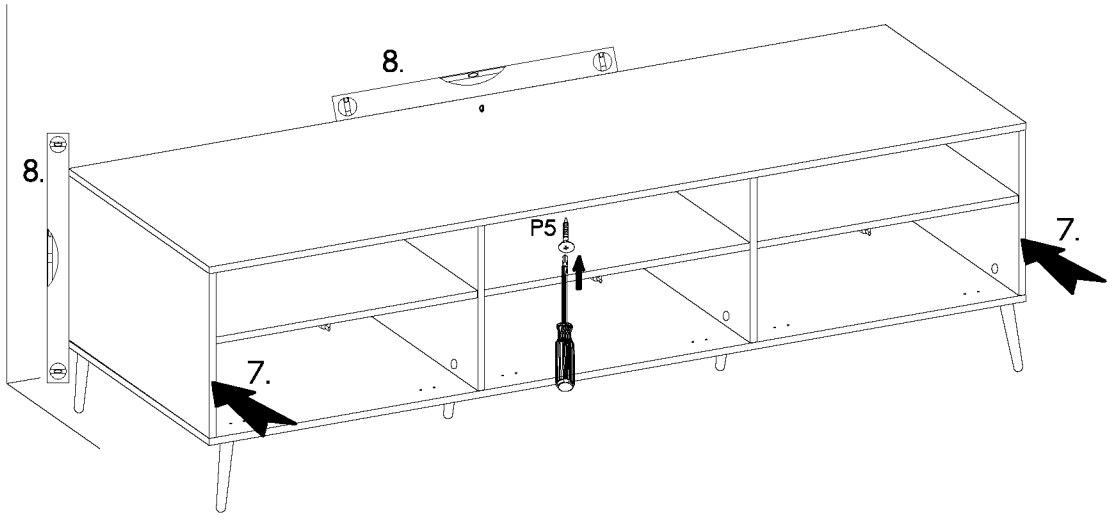
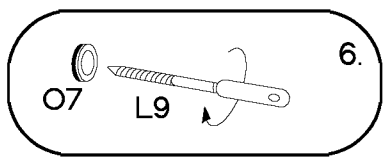
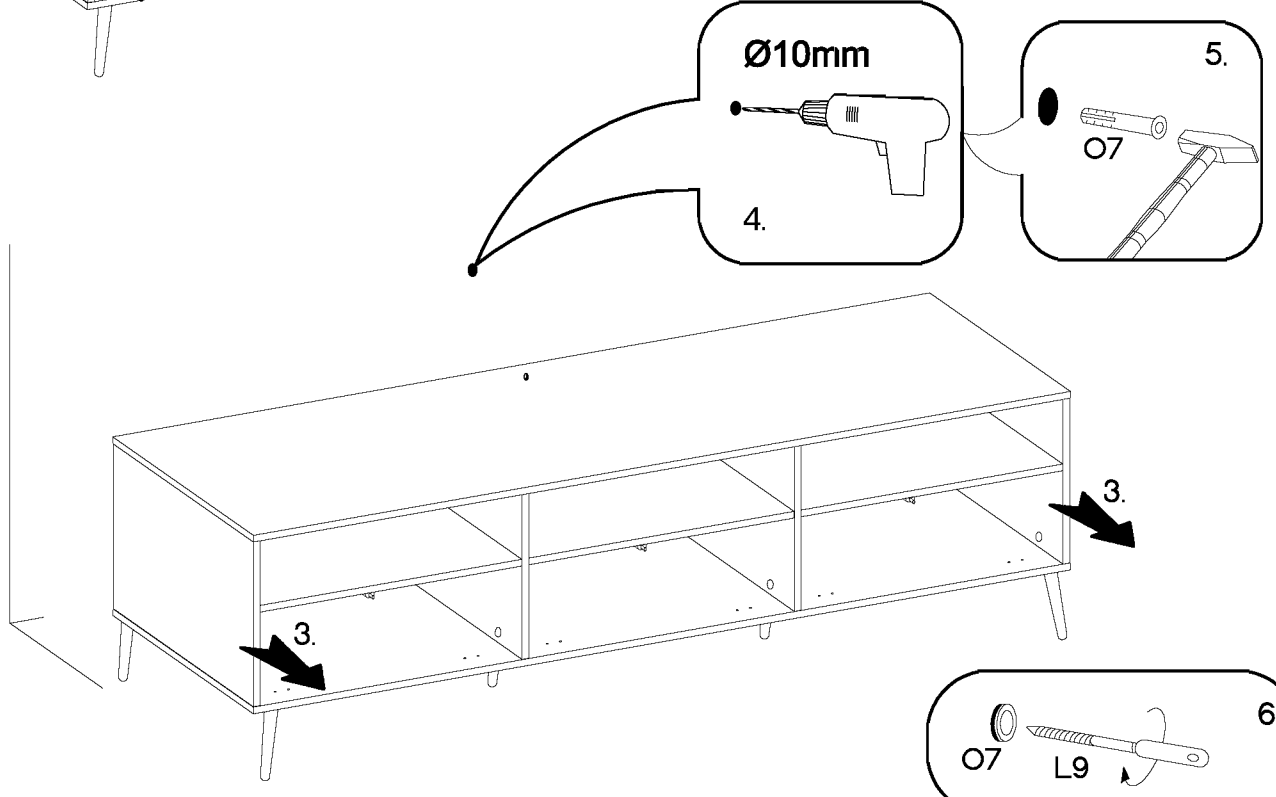
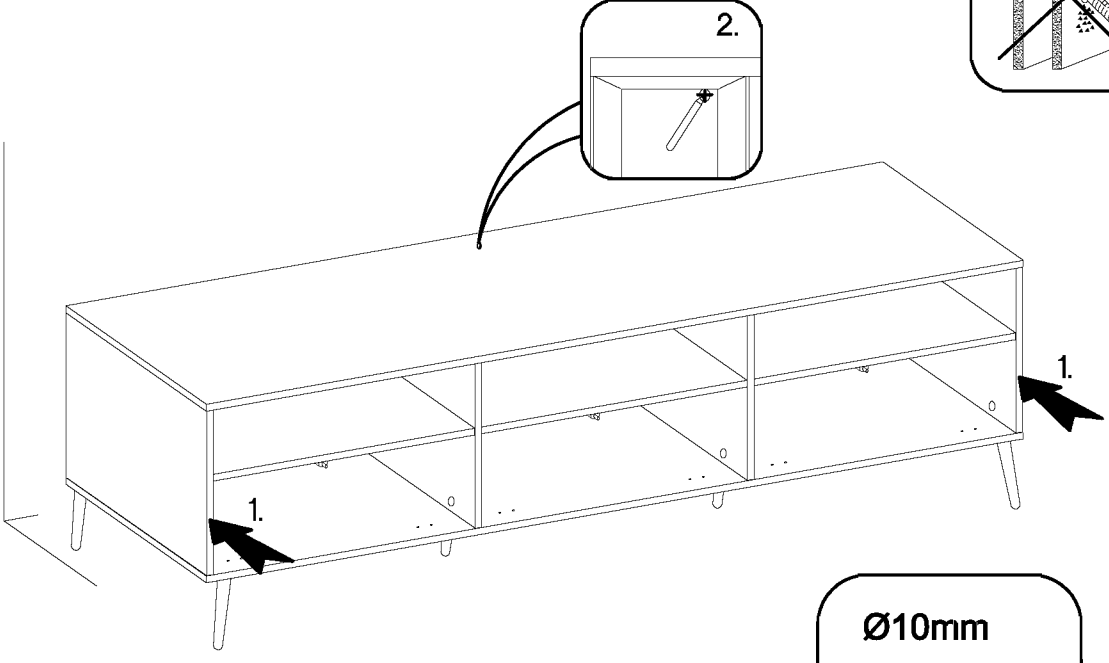
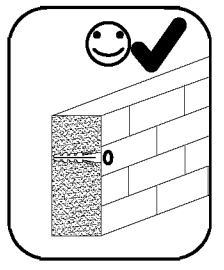
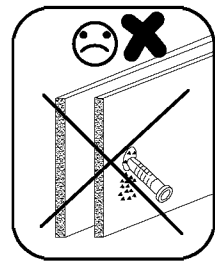
11





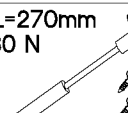
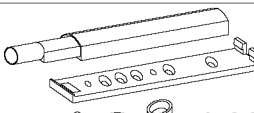
±3.0x20mm	
P7	L
6	12

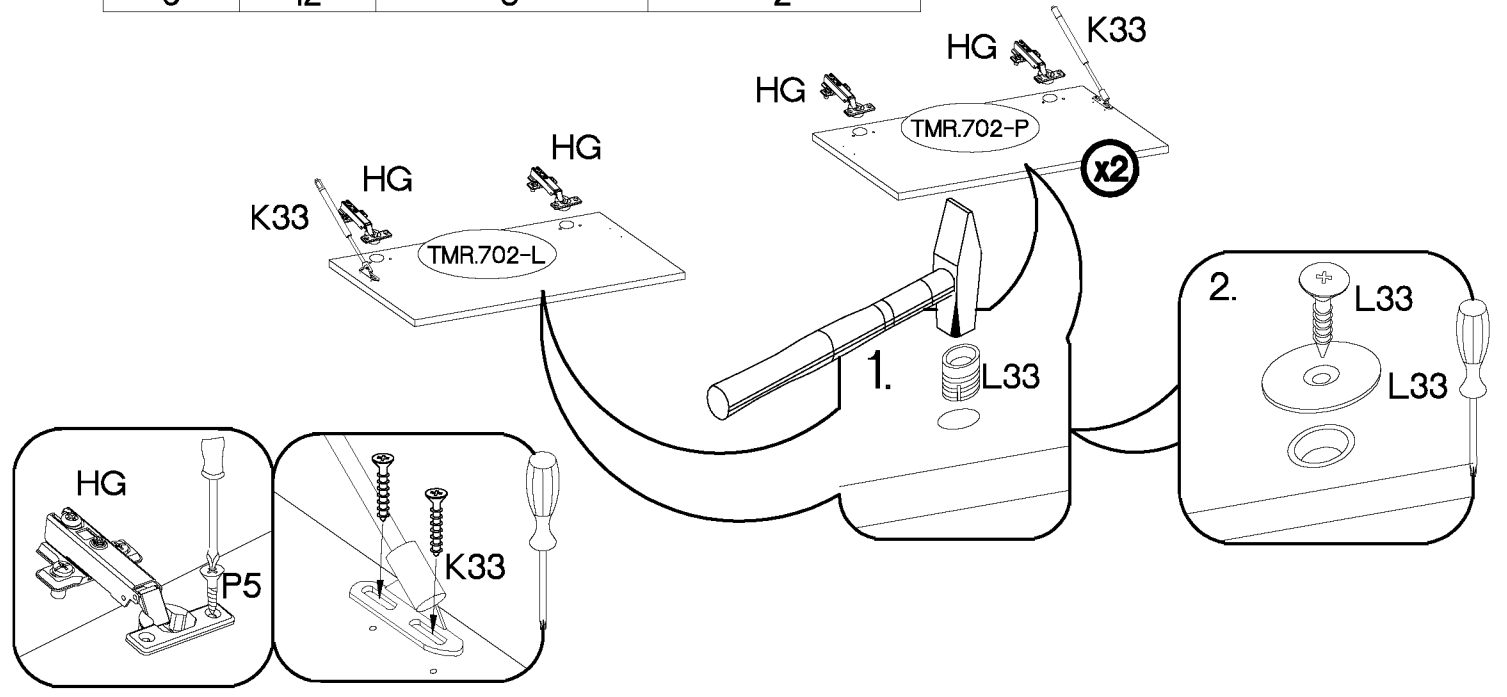


$\pm 10 \times 50 \text{mm}$  O7 1	 L9 1	$\pm 3.5 \times 13 \text{mm}$  P5 1
---	---	--




13

 <p>HG 6</p>	 <p>P5 12</p>	 <p>L=270mm 80 N K33 3</p>	 <p>BARKOWY L33 2</p>
--	---	--	---



14

 <p>E 28</p>
--

