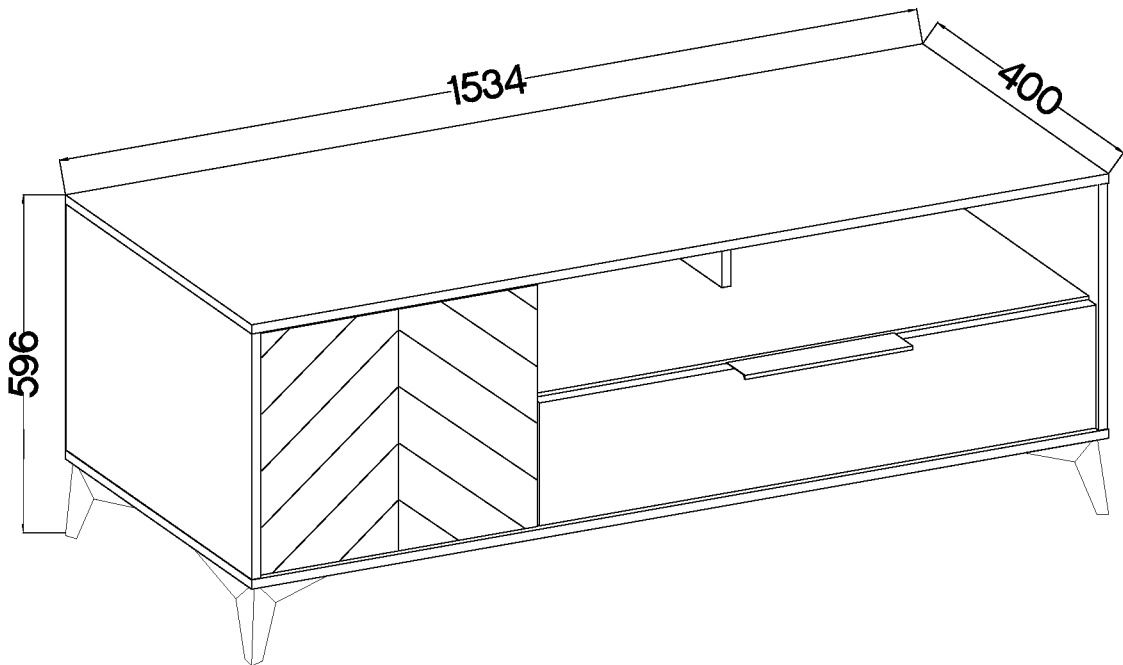
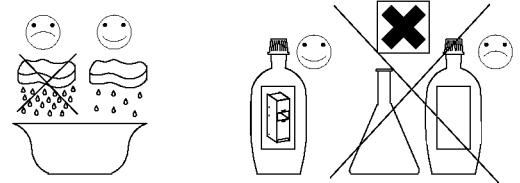
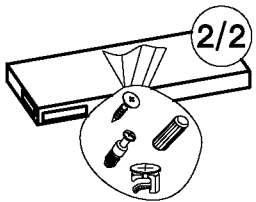
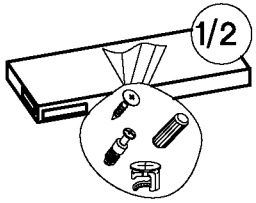


TYP 301

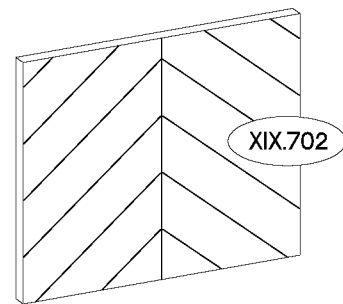
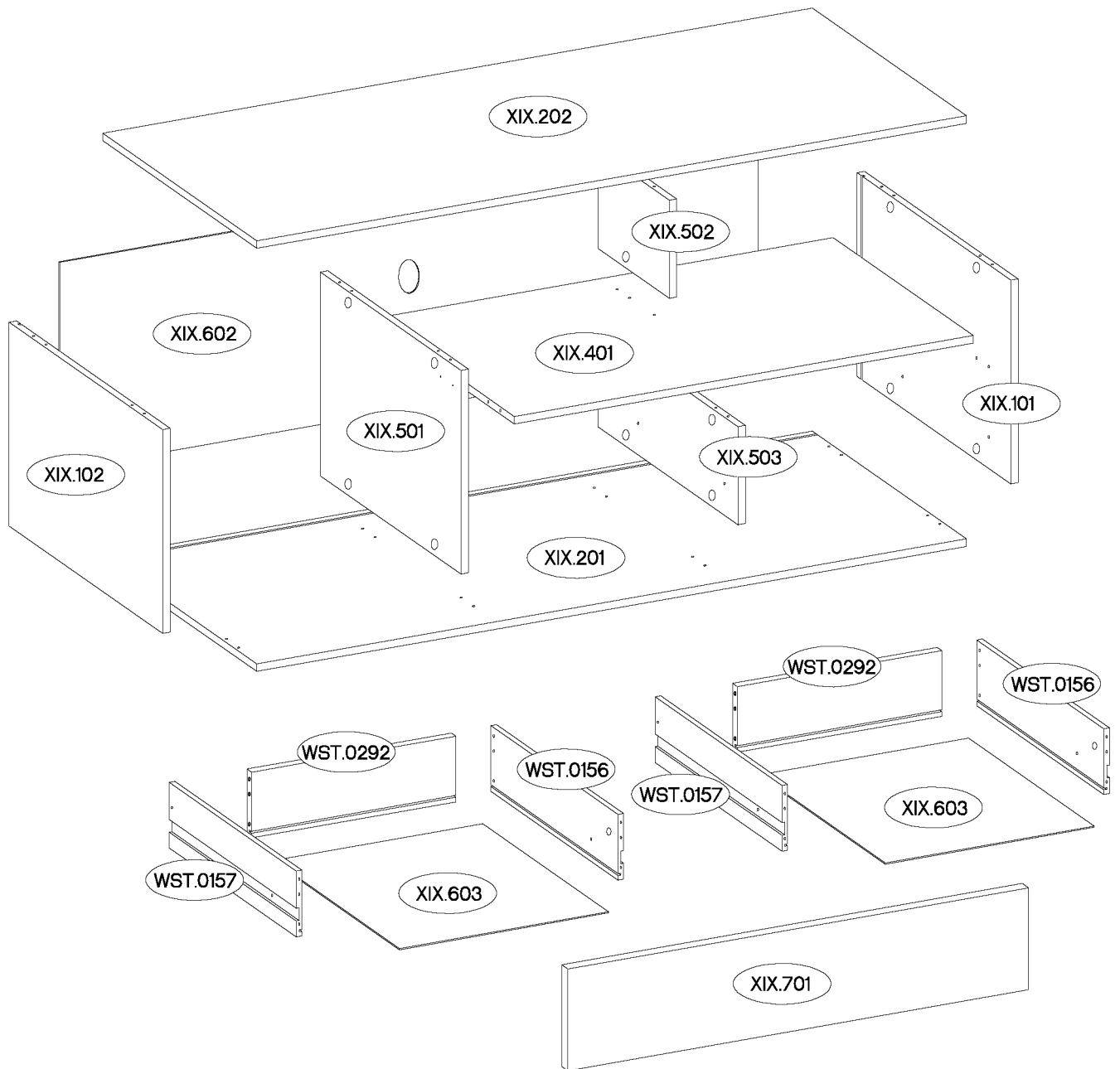


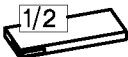
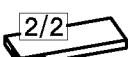
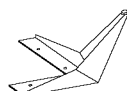
 +8x30mm A	 +6x42mm B2	 +15/12mm C	 +12/10mm C5						
40	4	22	4						
 L=20mm D2	 L=56mm D4	 +20 E1	 +35/16mm HG2	 27/310mm I4	 +20/8mm J14	 L	 L33		
24	1	12	2	2	6	14	1		
 L9	 +6,3x13mm M2	 +6,3x20mm M3	 +10x50mm O7	 +3,5x13mm P5	 +3,0x20mm P7	 +4,0x16mm R11	 L=259mm S	 M4x9mm U1	
1	2	6	1	9	6	20	1	4	



 L=130mm F33
5

ISM-XIX-001



	Ersatzteil Nummer	Dimension
	XIX.101	434x399x16
	XIX.102	434x399x16
	XIX.501	434x365x16
	XIX.502	209x185x16
	XIX.503	209x363x16
	XIX.201	1534x400x16
	XIX.202	1534x400x16
	XIX.401	992x364x16
	XIX.602	1509x443x2,5
	XIX.603 x2	453x327x2,5
	WST.0156 x2	330x140x12
	WST.0157 x2	330x140x12
	WST.0292 x2	442x140x12
XIX.701	996x217x16	
XIX.702	426x496x16	
	 F33 x5	

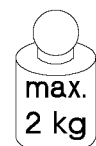


XIX.202




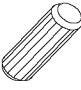
XIX.201

XIX.401

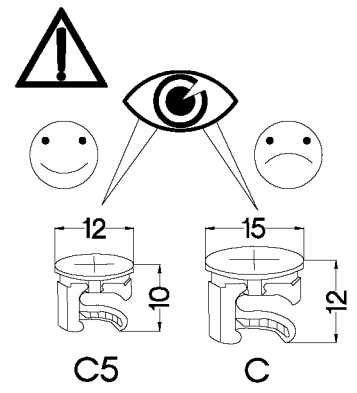
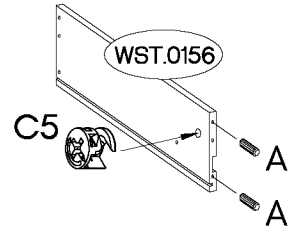
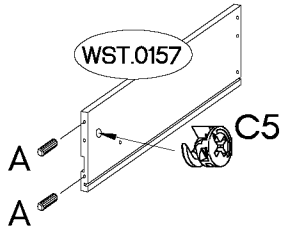
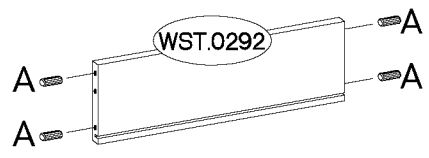
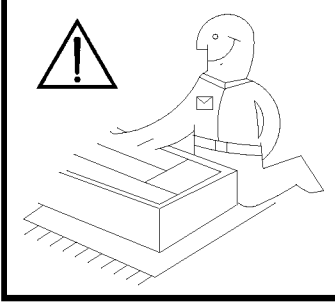


XIX.603

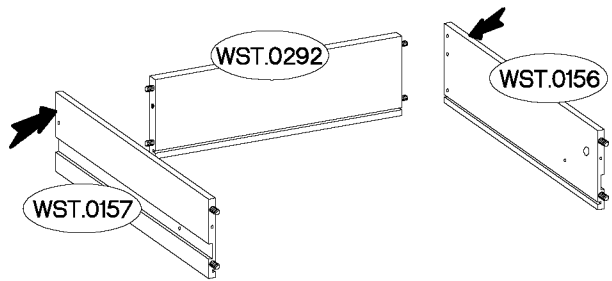
1

†12/10mm  <b>C5</b> 4	†8x30mm  <b>A</b> 16
--	---


x2

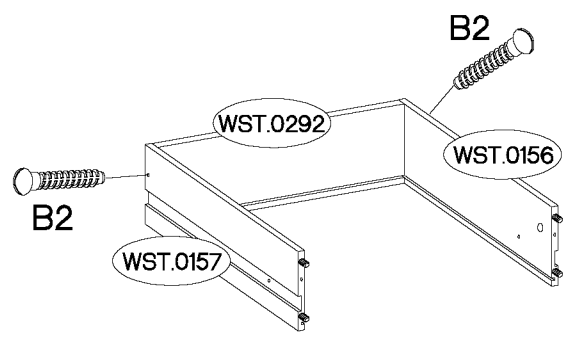
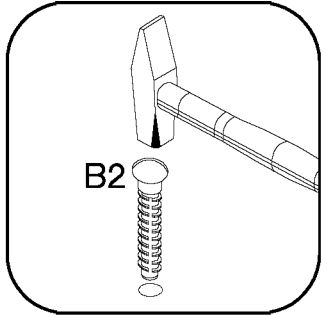


2

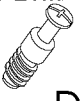


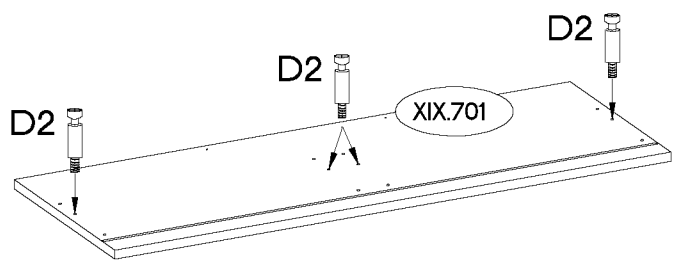
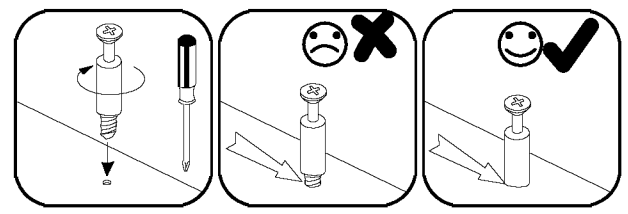
x2

†6x42mm  <b>B2</b> 4
--

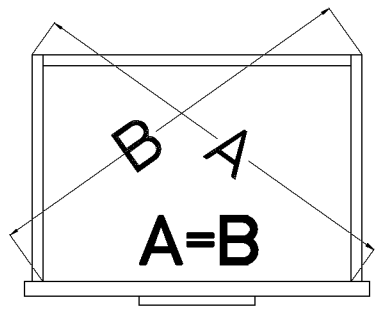
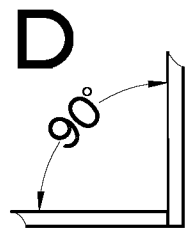
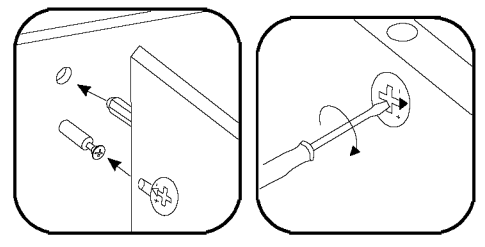
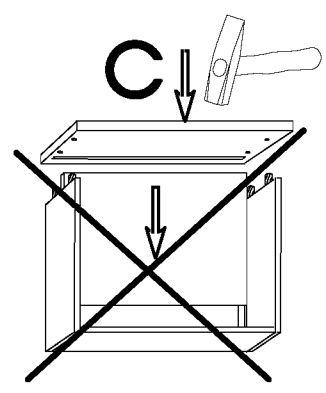
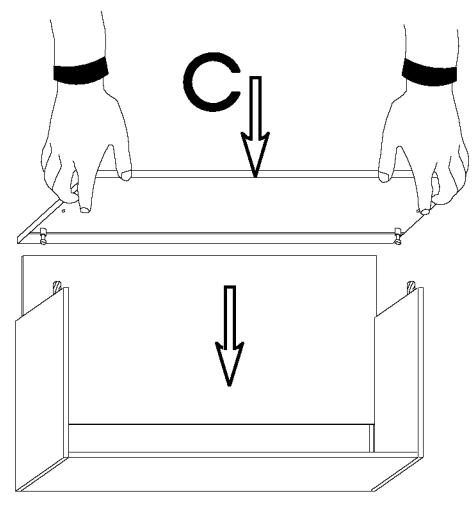
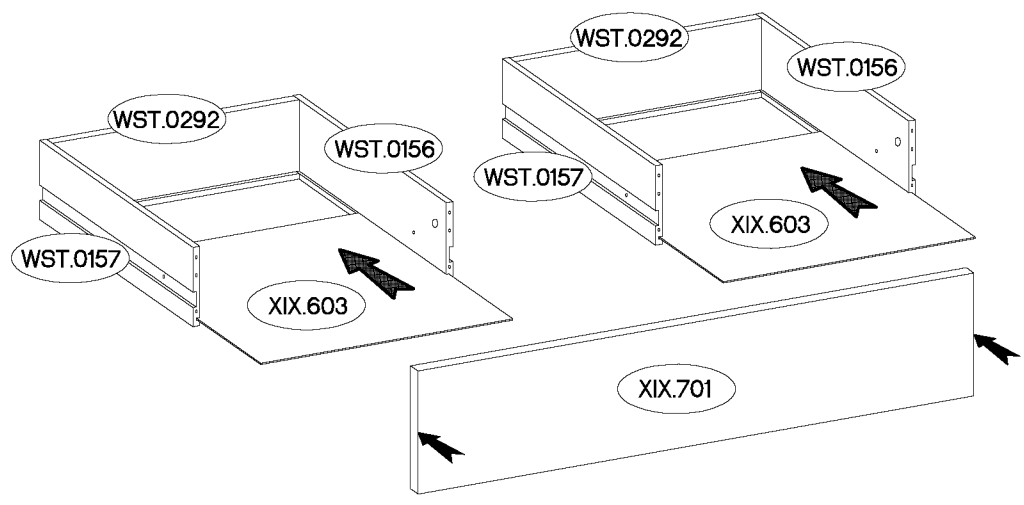
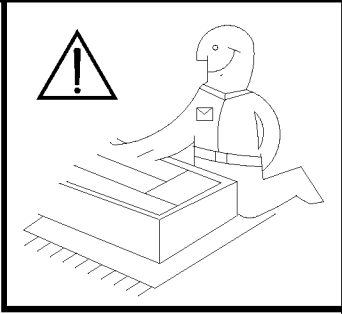


3

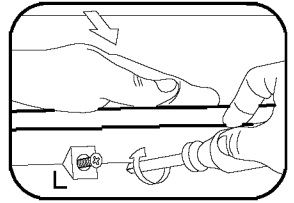
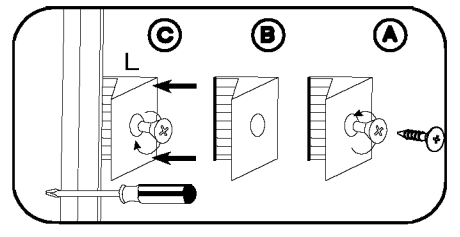
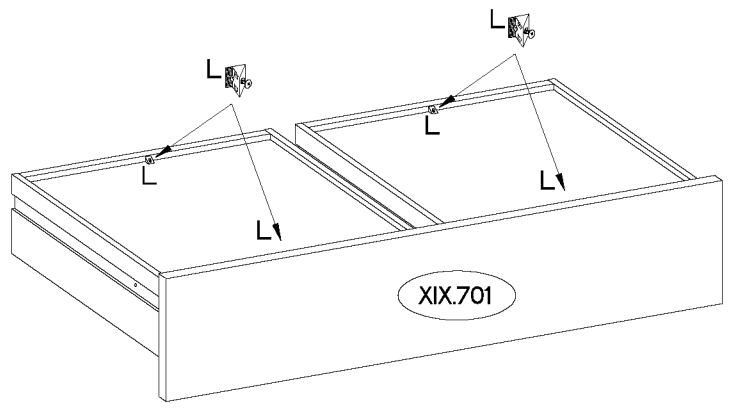
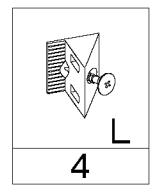
L=20mm  <b>D2</b> 4
---

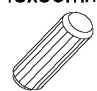
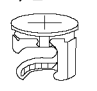
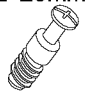
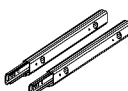






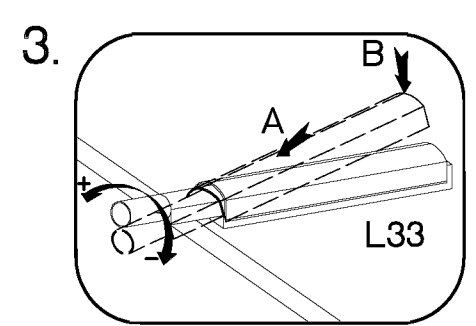
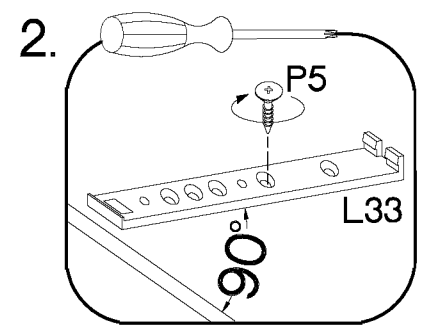
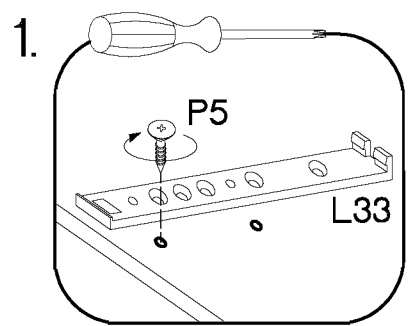
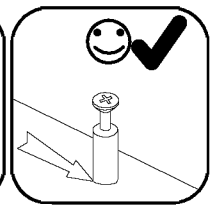
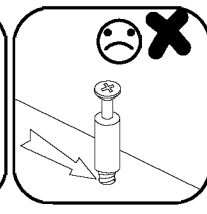
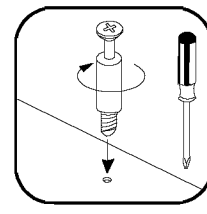
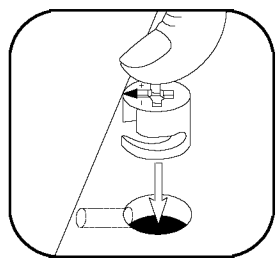
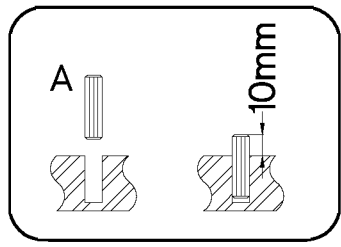
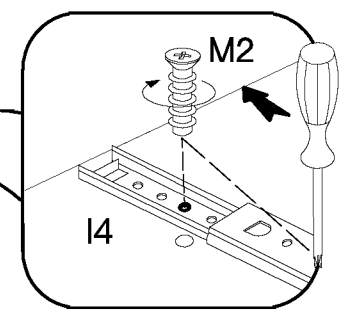
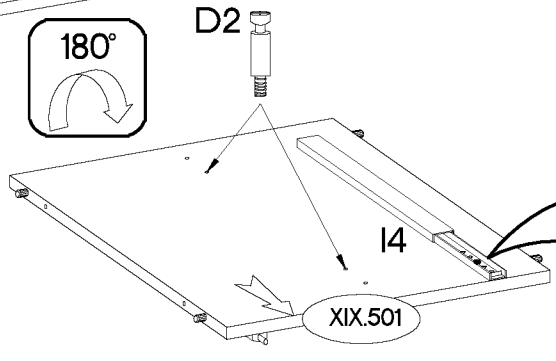
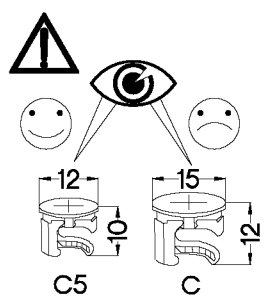
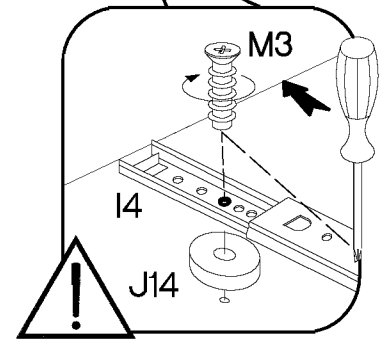
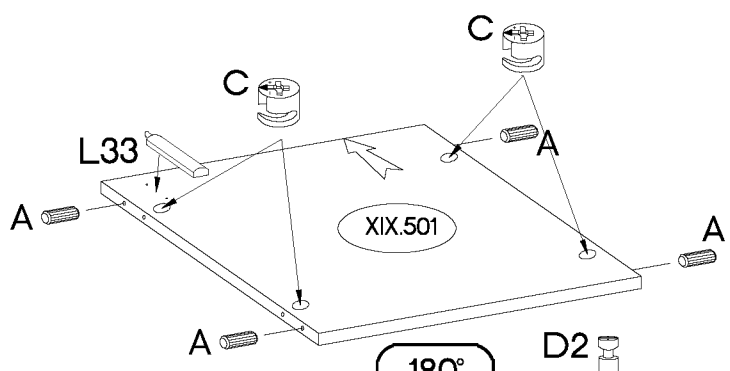
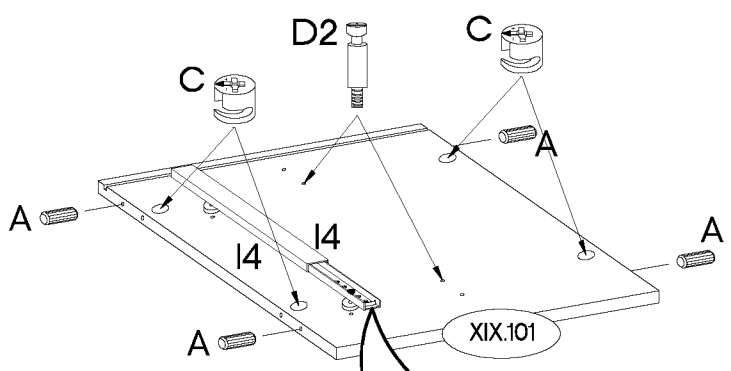
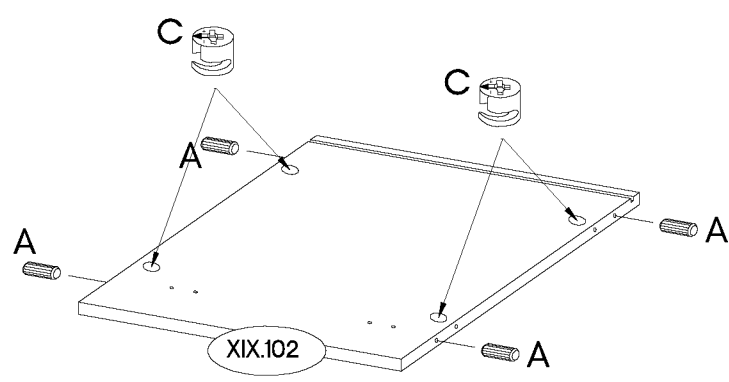
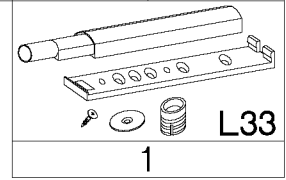
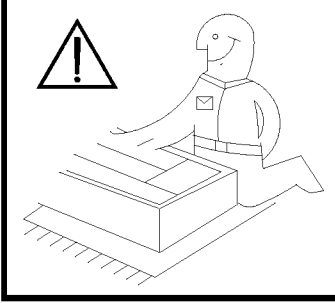
4

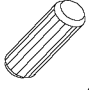

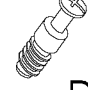
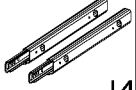

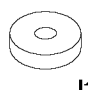


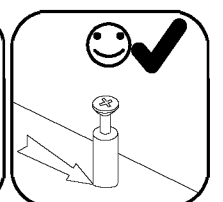
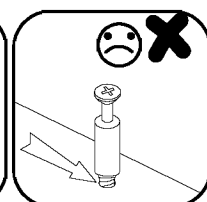
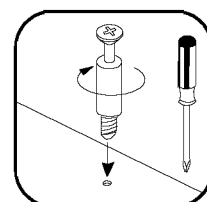
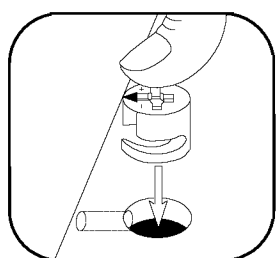
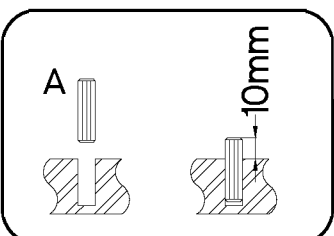
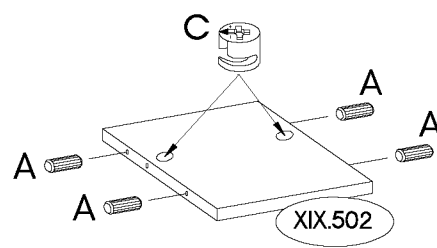
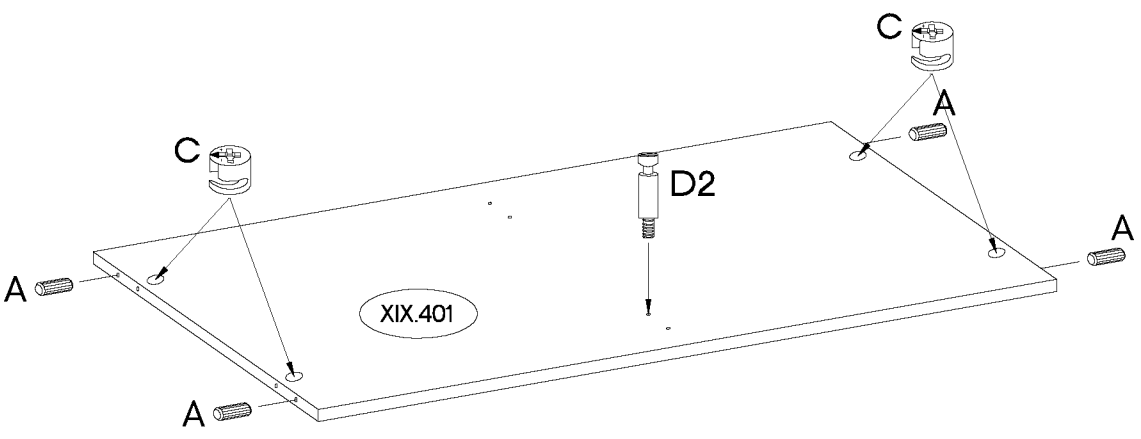
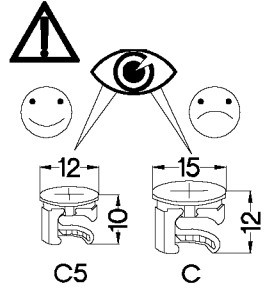
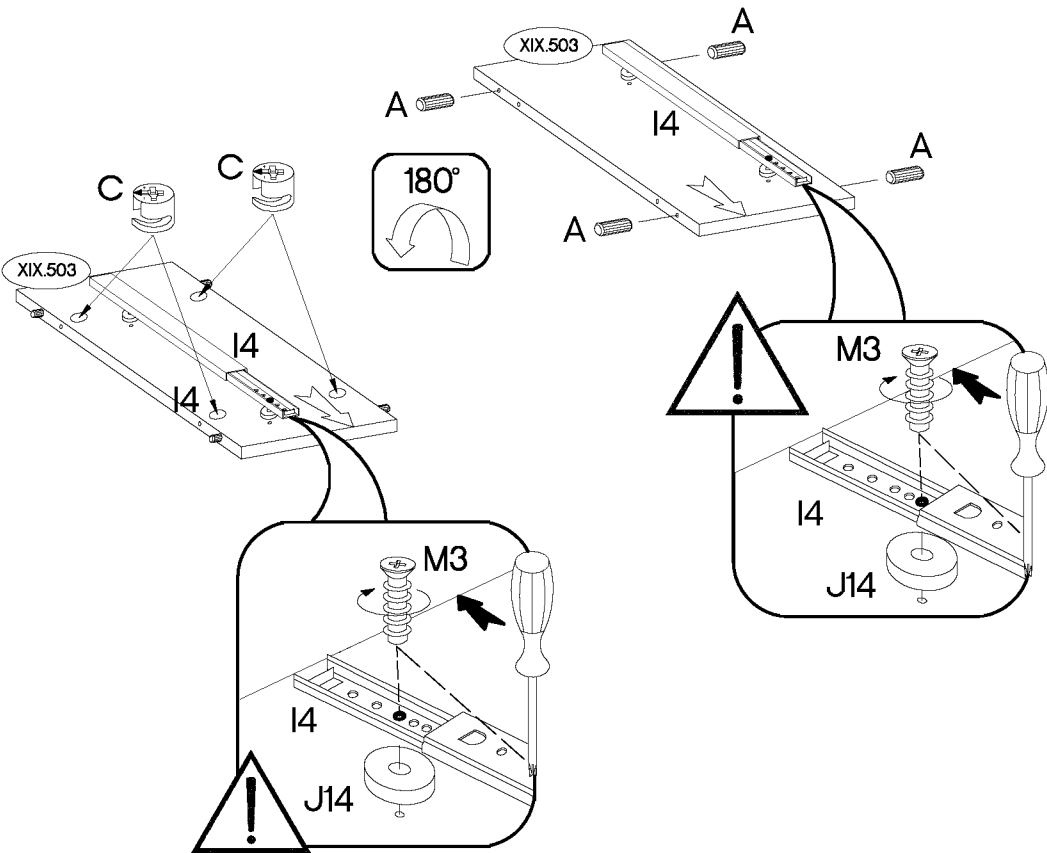
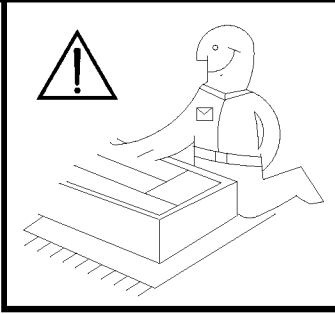
5



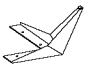


+8x30mm	+15/12mm	L=20mm	27/310mm	+6,3x13mm	+6.3x20mm	+20/8mm	+3.5x13mm
							
12	12	4	1	2	2	2	2

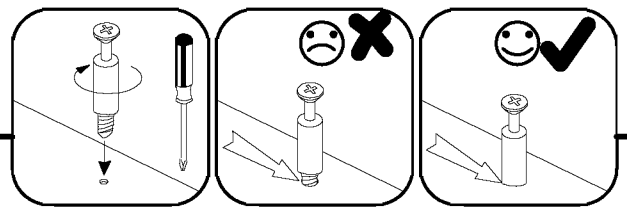
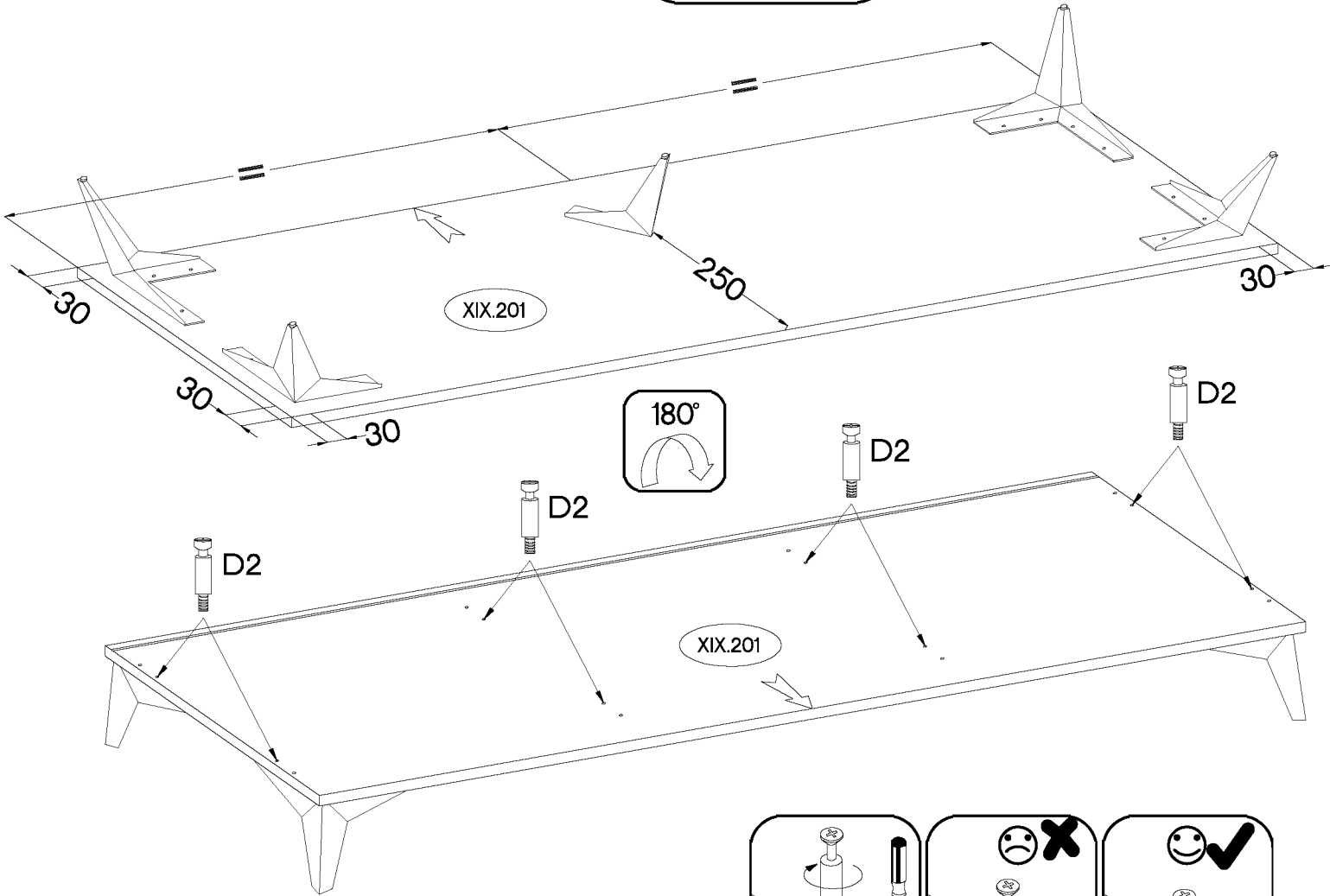
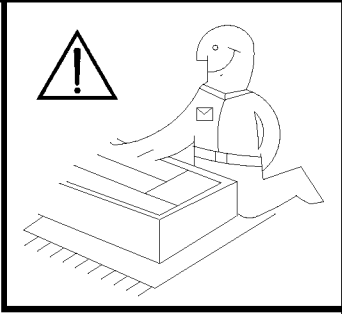
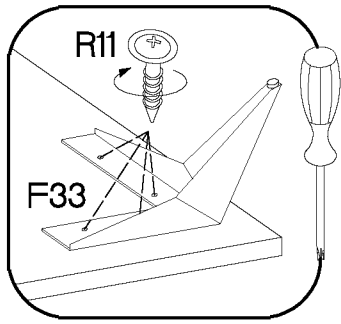


+8x30mm	+15/12mm	L=20mm	27/310mm	+6.3x20mm	+20/8mm
					
A	C	D2	I4	M3	J14
12	10	1	1	4	4




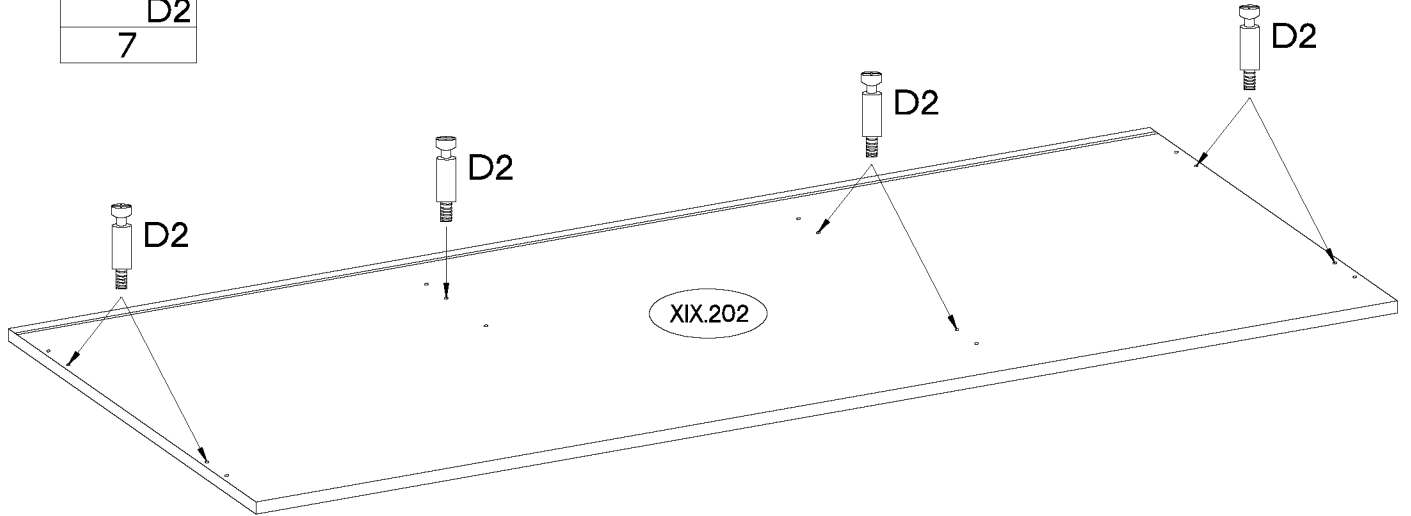
8

L=130mm	±4.0x16mm	L=20mm
		
F33	R11	D2
5	20	8

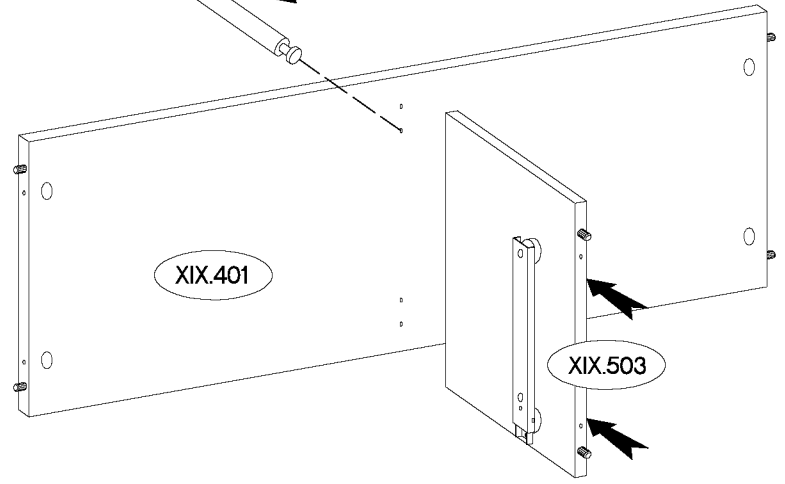
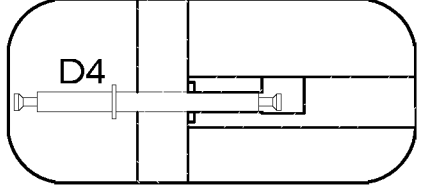
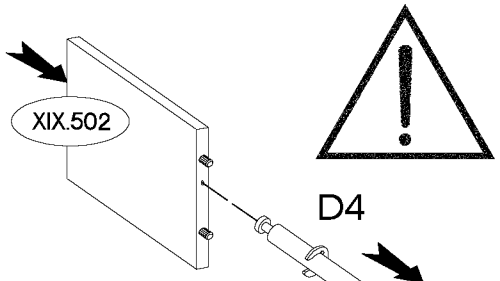
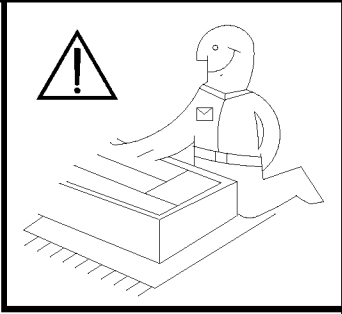
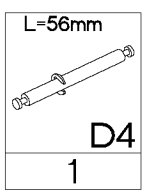


9

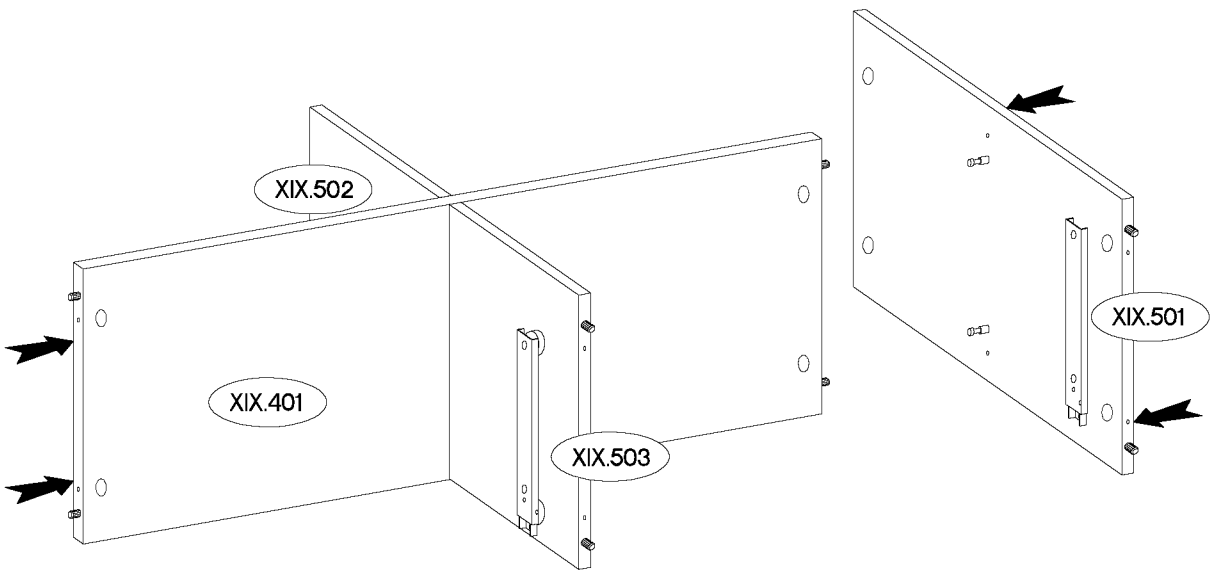
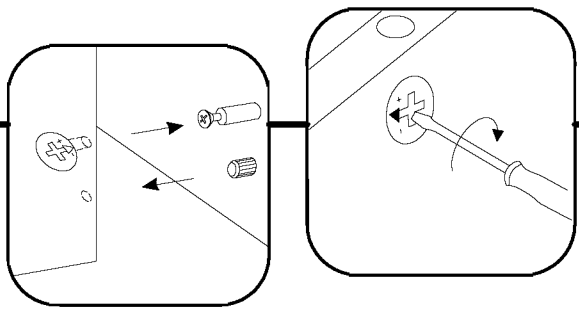
L=20mm

D2
7



10

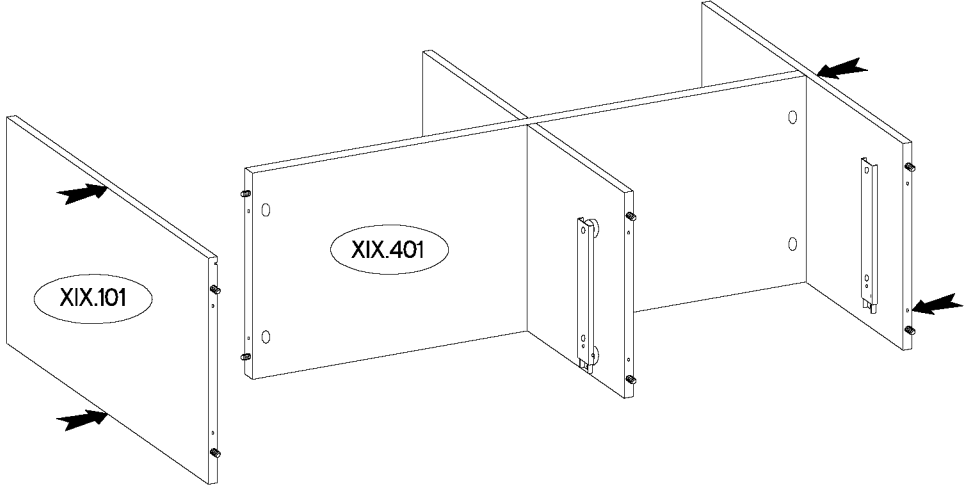
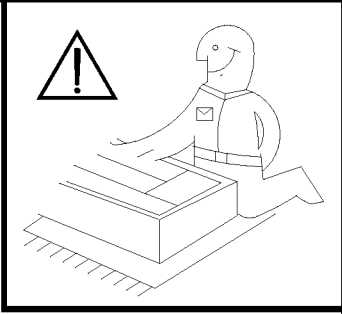


11

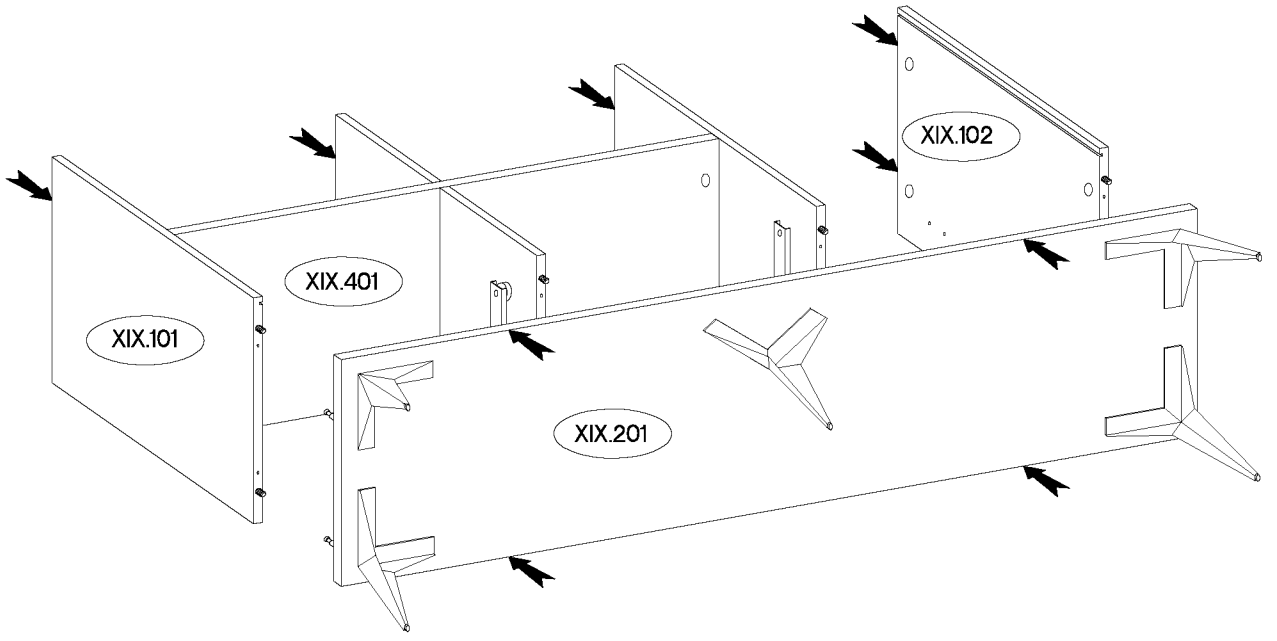
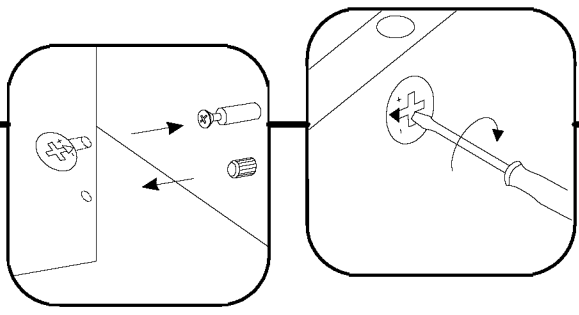



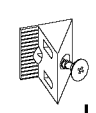


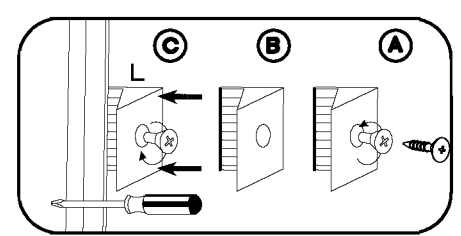
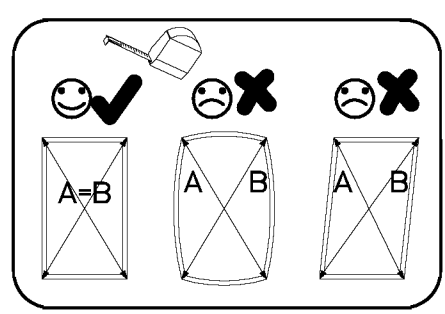
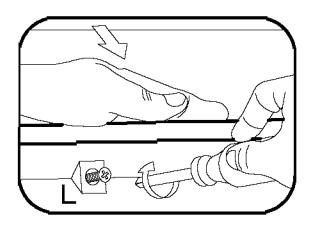
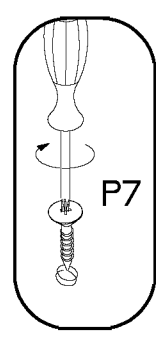
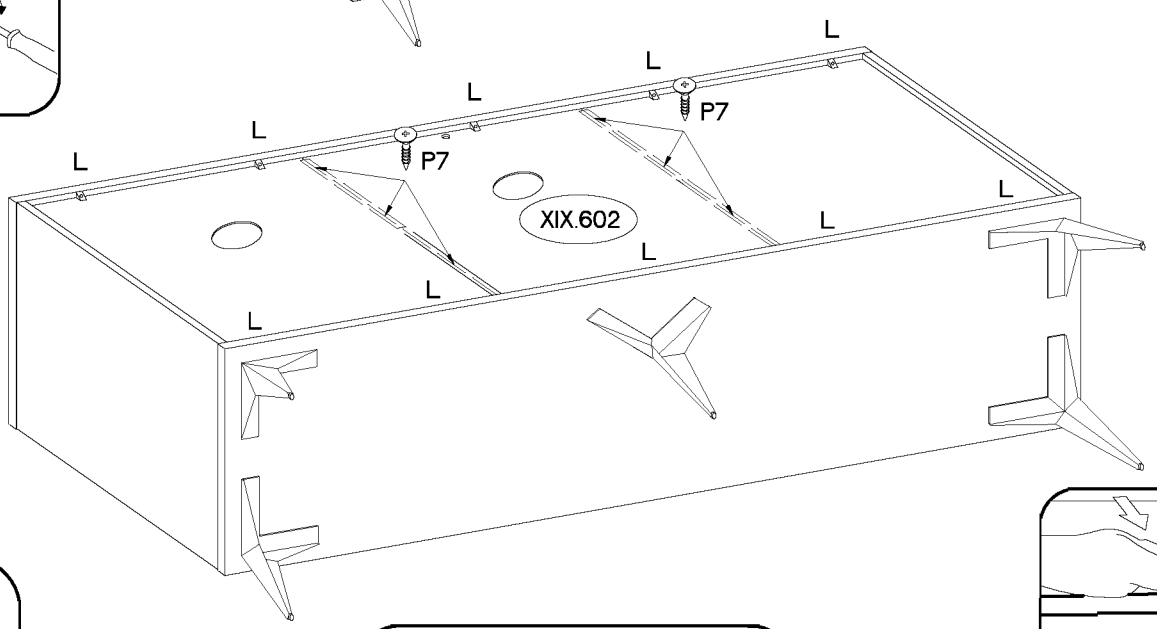
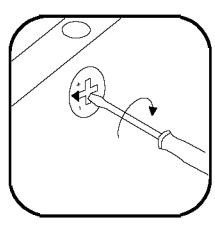
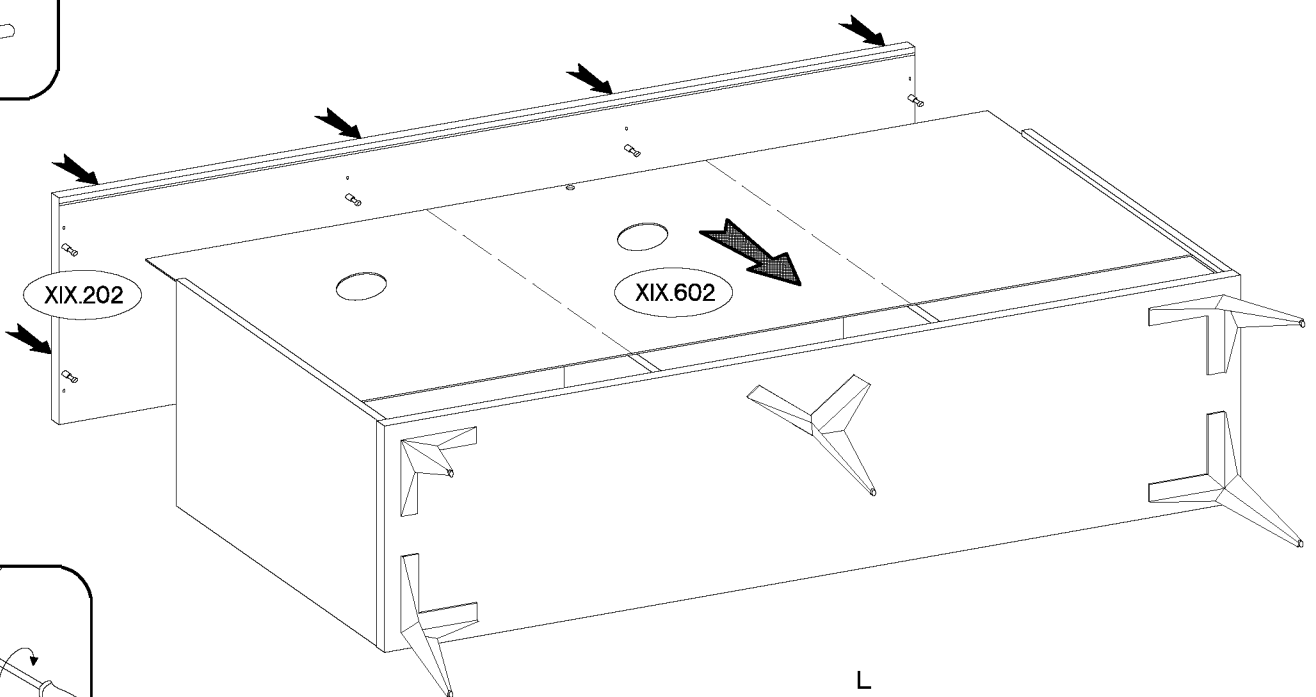
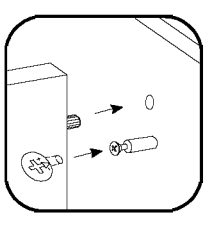
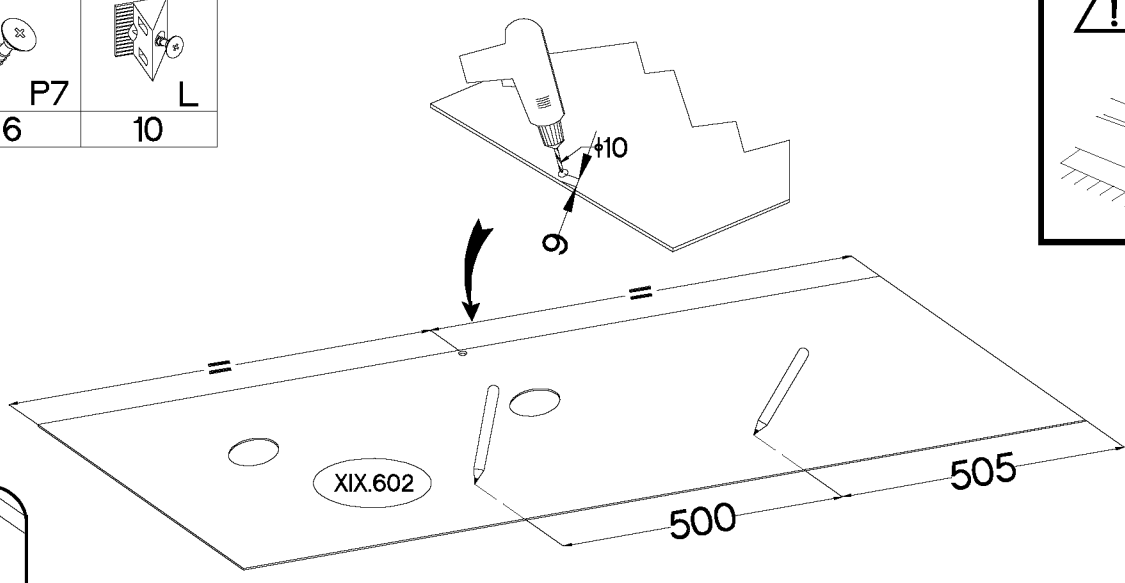
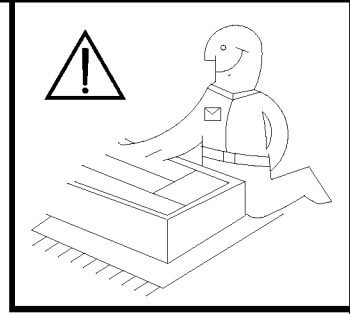
12






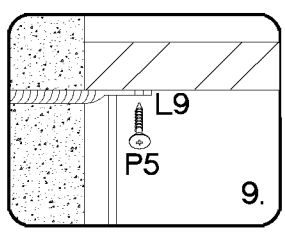
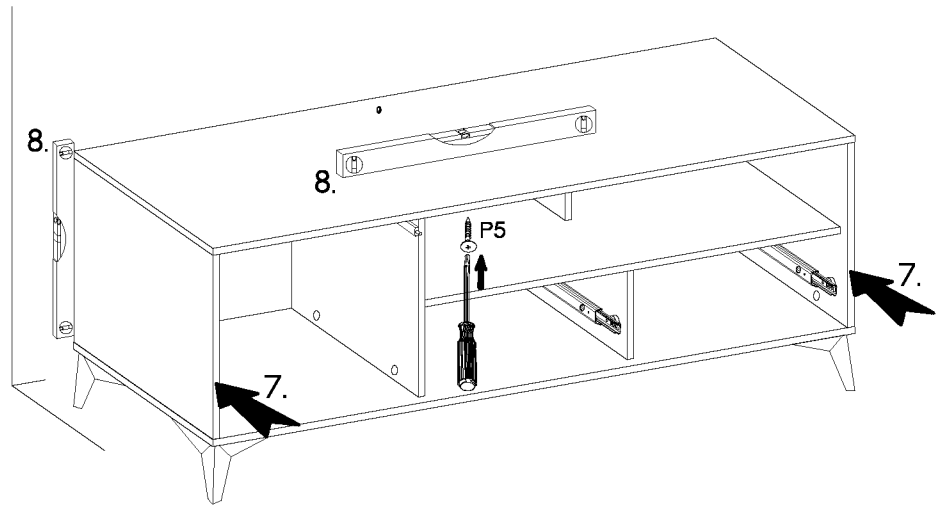
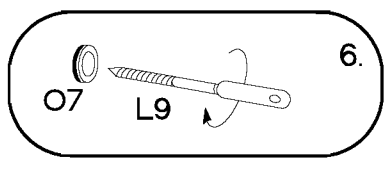
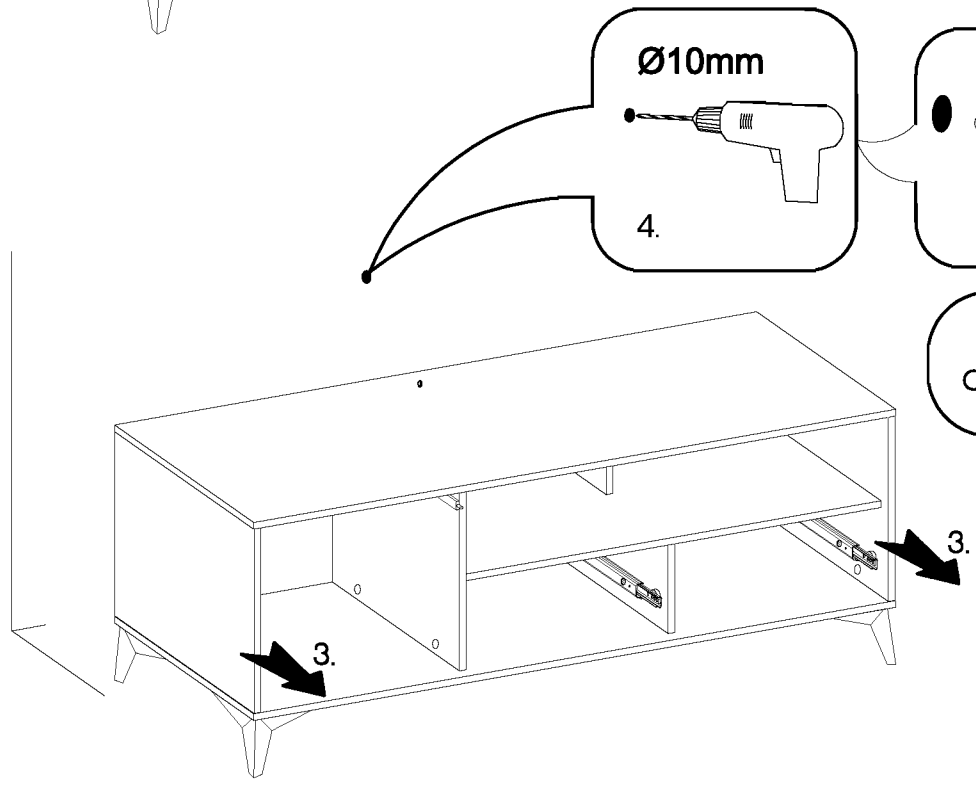
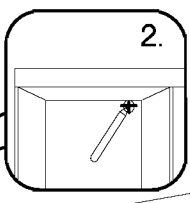
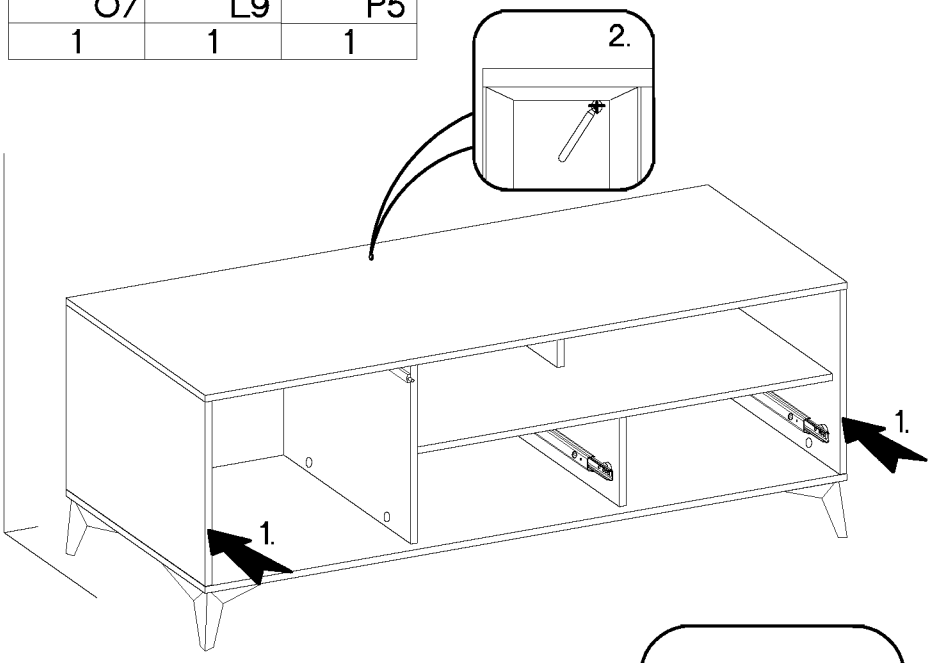
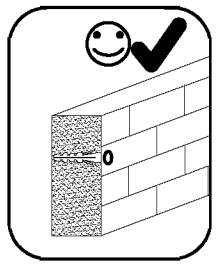
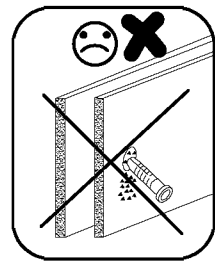
13

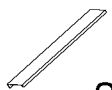


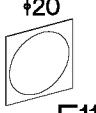


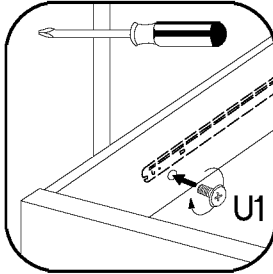
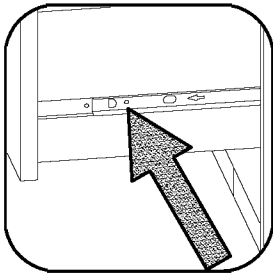
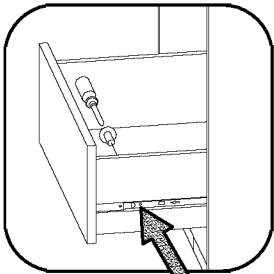
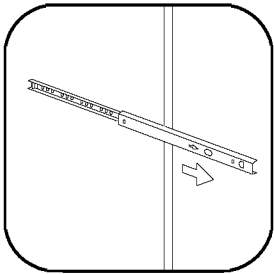
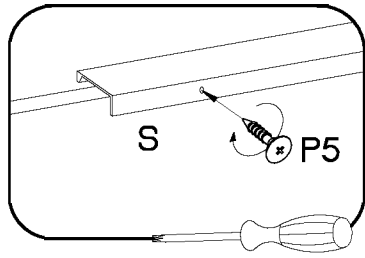
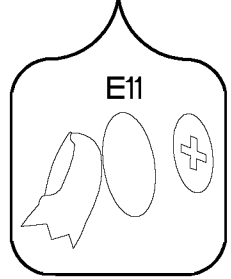
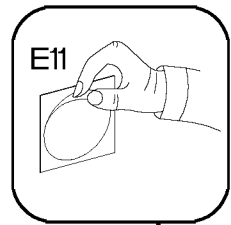
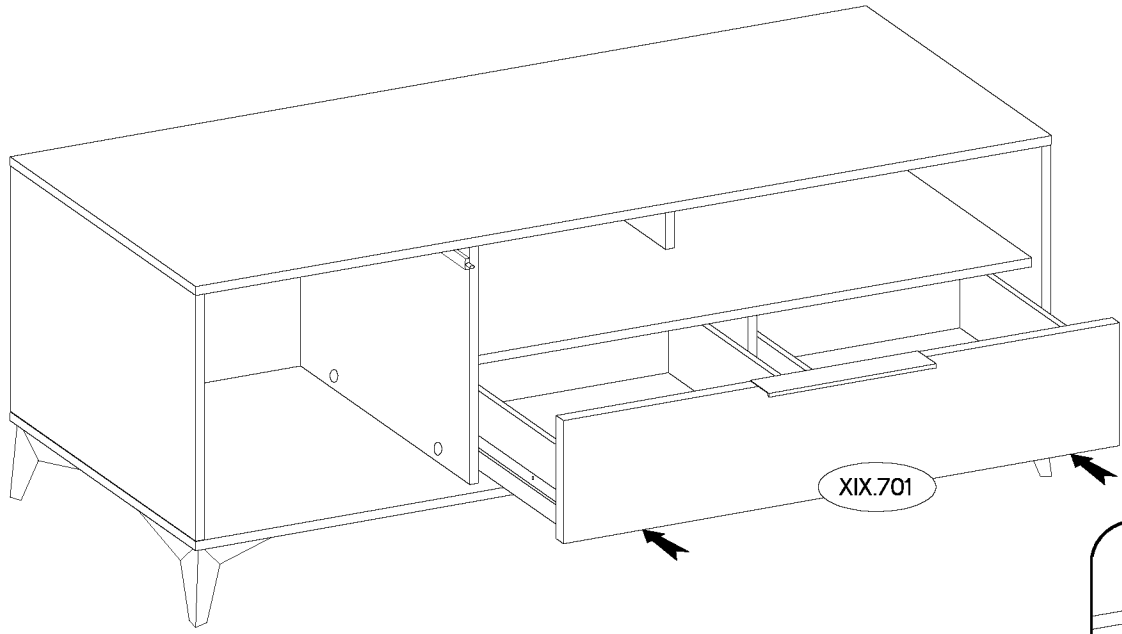
Ø3.0x20mm	
	
P7	L
6	10






$\pm 10 \times 50 \text{mm}$  O7 1	 L9 1	$\pm 3.5 \times 13 \text{mm}$  P5 1
---	---	--



L=259mm	±3.5x13mm	M4x9mm	±20
			
<b>S</b>	<b>P5</b>	<b>U1</b>	<b>E11</b>
1	2	4	12



±35/16mm	±3.5x13mm			
<b>HG2</b>	<b>P5</b>			<b>L33</b>
2	4			1

