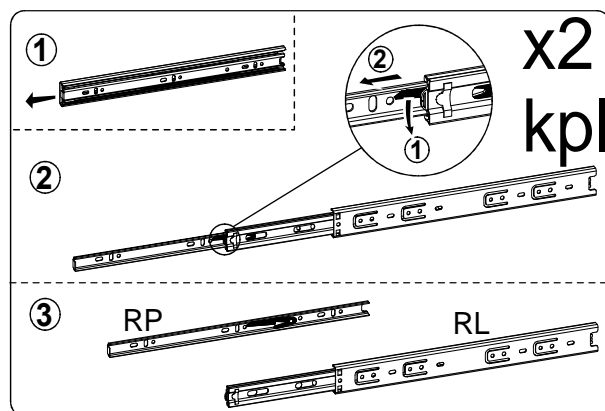
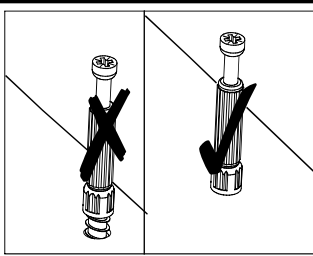
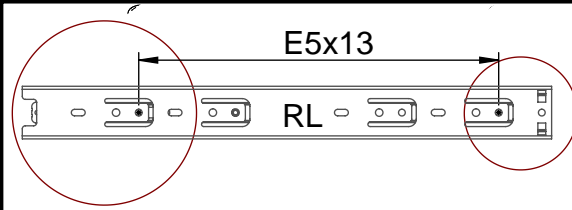
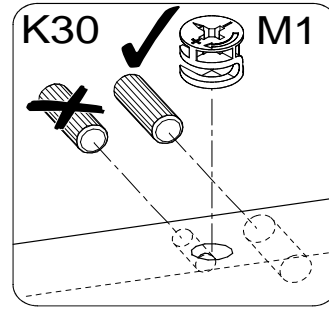
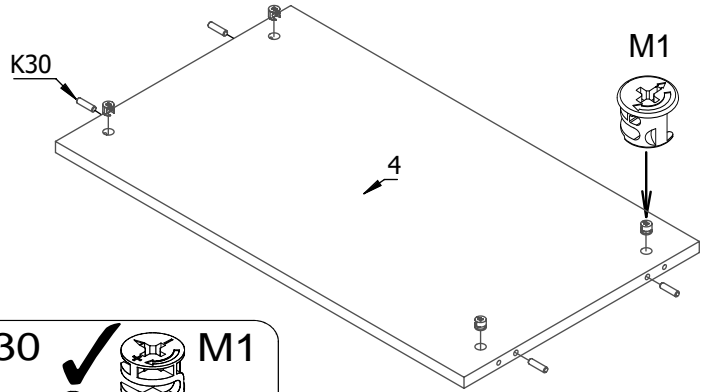
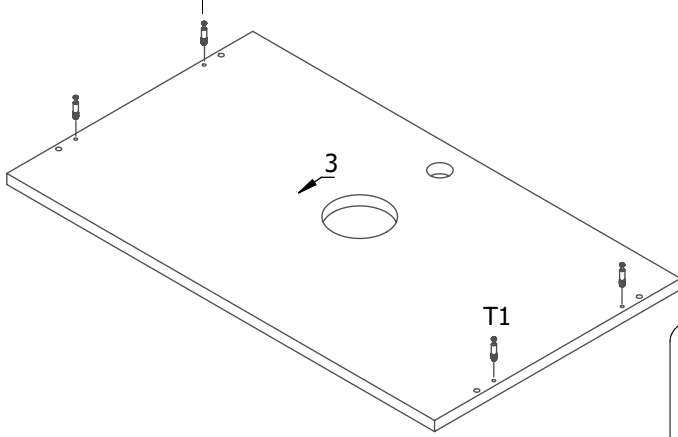


<p>10x80 KR</p> <p>4</p>	<p>KF50</p> <p>6</p>	<p>Q</p> <p>1</p>	<p>x</p> <p>26</p>	<p>E5x13</p> <p>16</p>
<p>K30</p> <p>16</p>	<p>T1</p> <p>26</p>	<p>M1</p> <p>26</p>	<p>CAM</p> <p>2</p>	<p>ZA</p> <p>2</p>
<p>H3</p> <p>3x13</p> <p>2</p>	<p>WS</p> <p>1</p>			



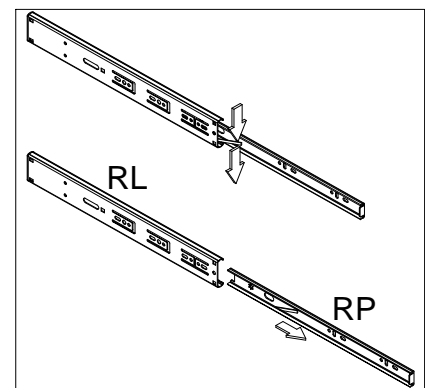
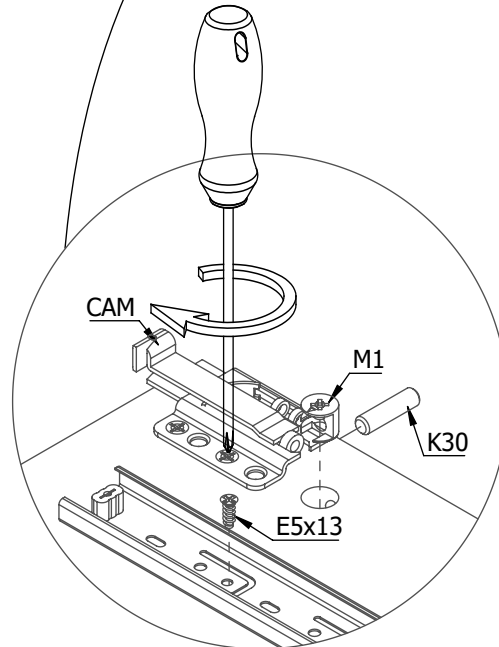
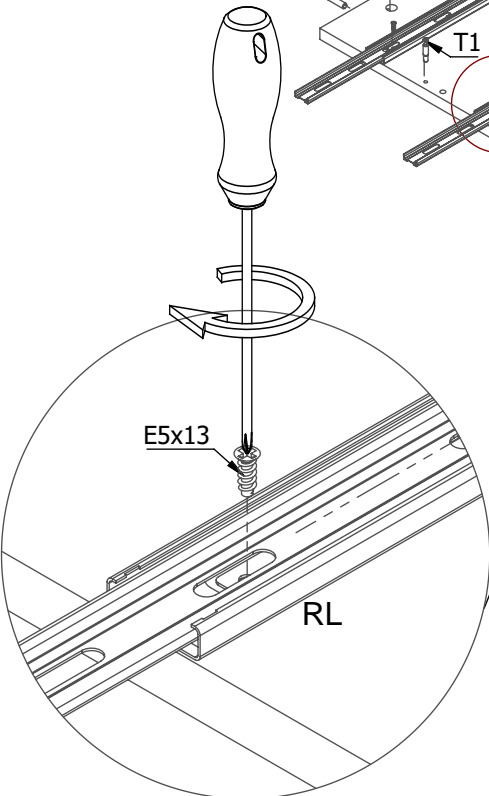
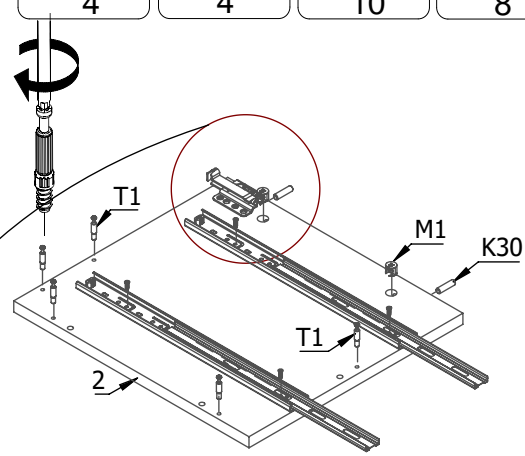
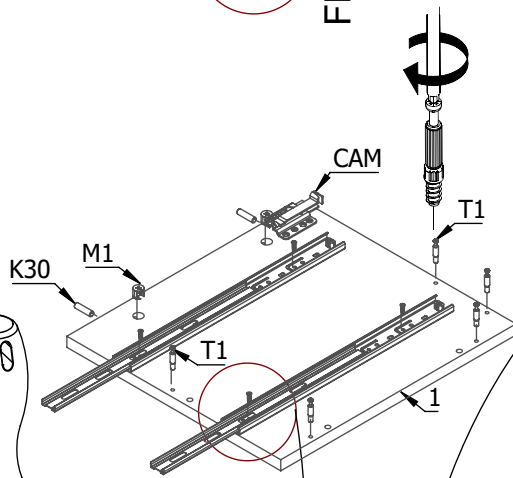




K30	M1	T1
4	4	4

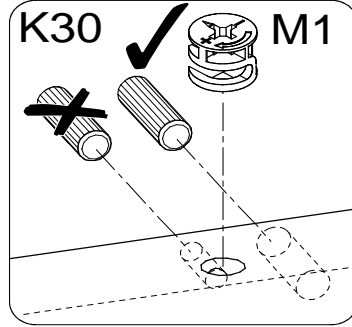
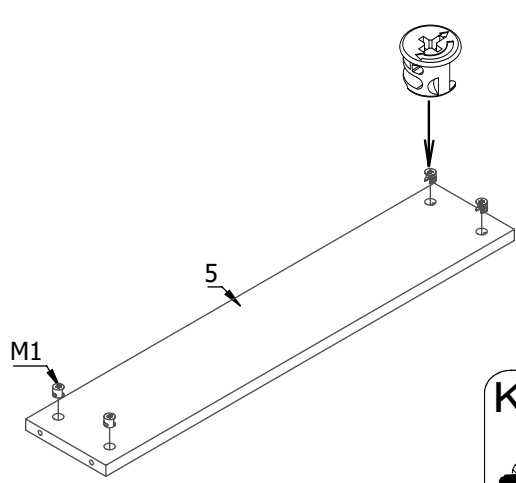
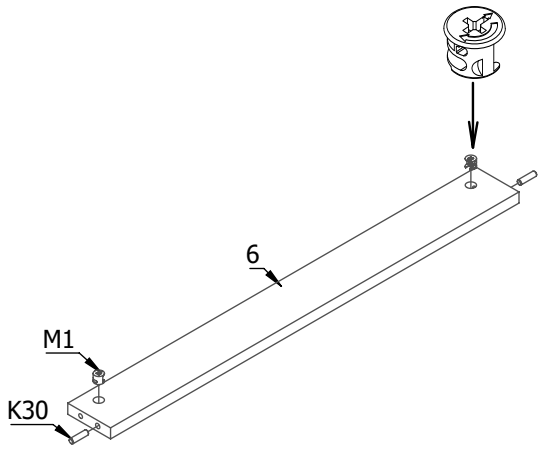









FRONT

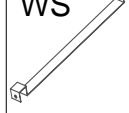

K30	M1	T1	E5x13	CAM
4	4	10	8	2

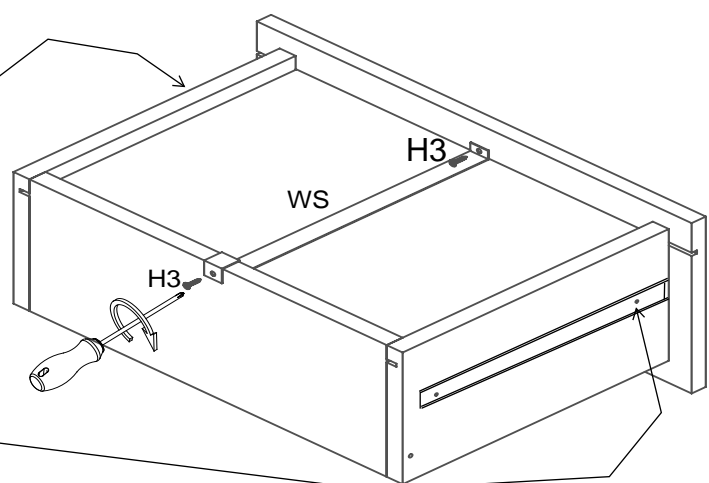
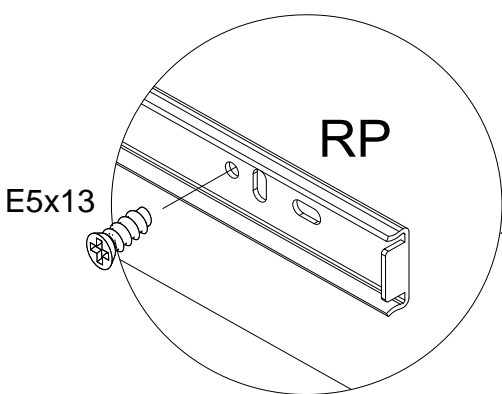
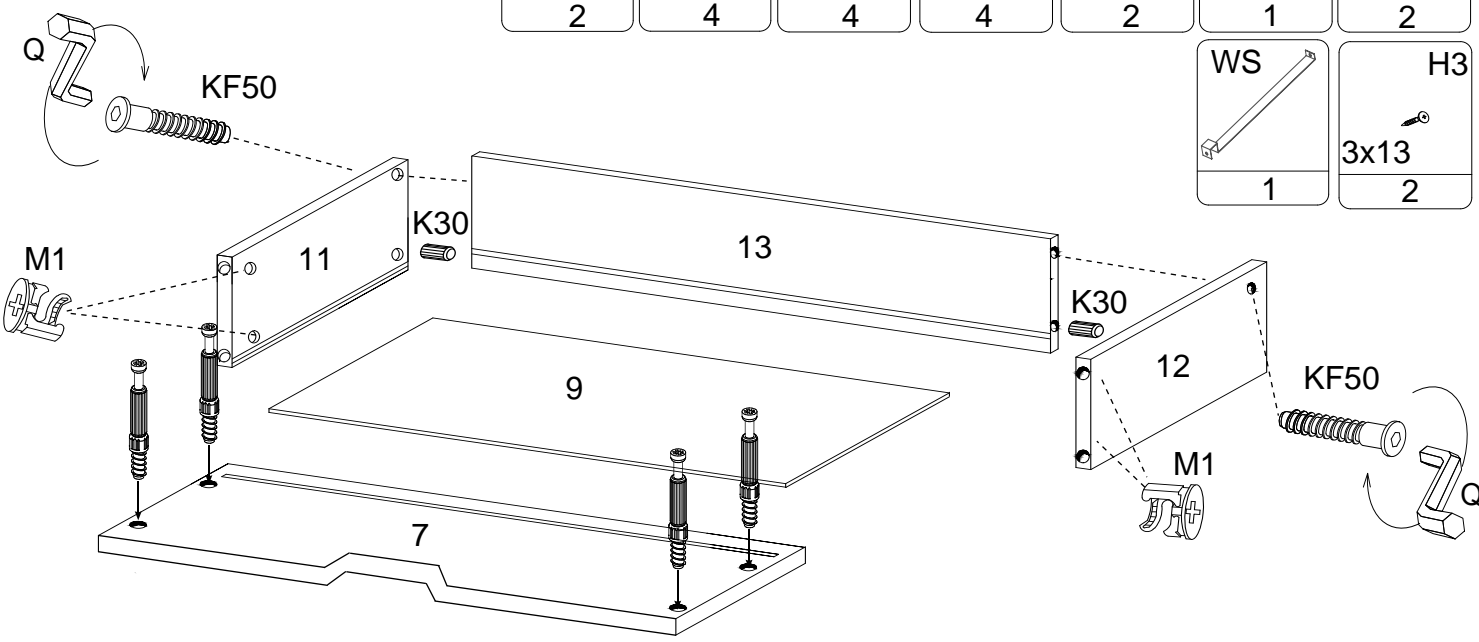









K30	M1
	
2	6

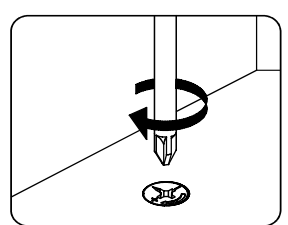
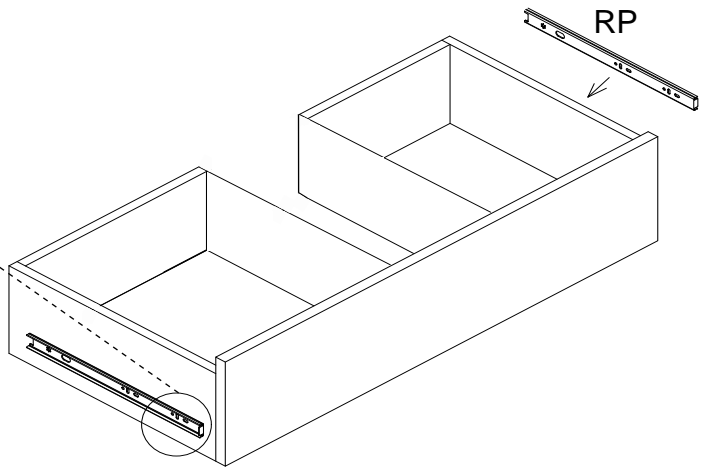
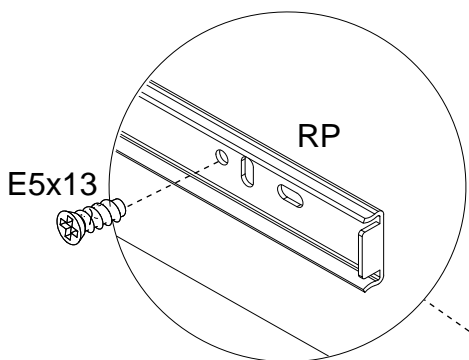
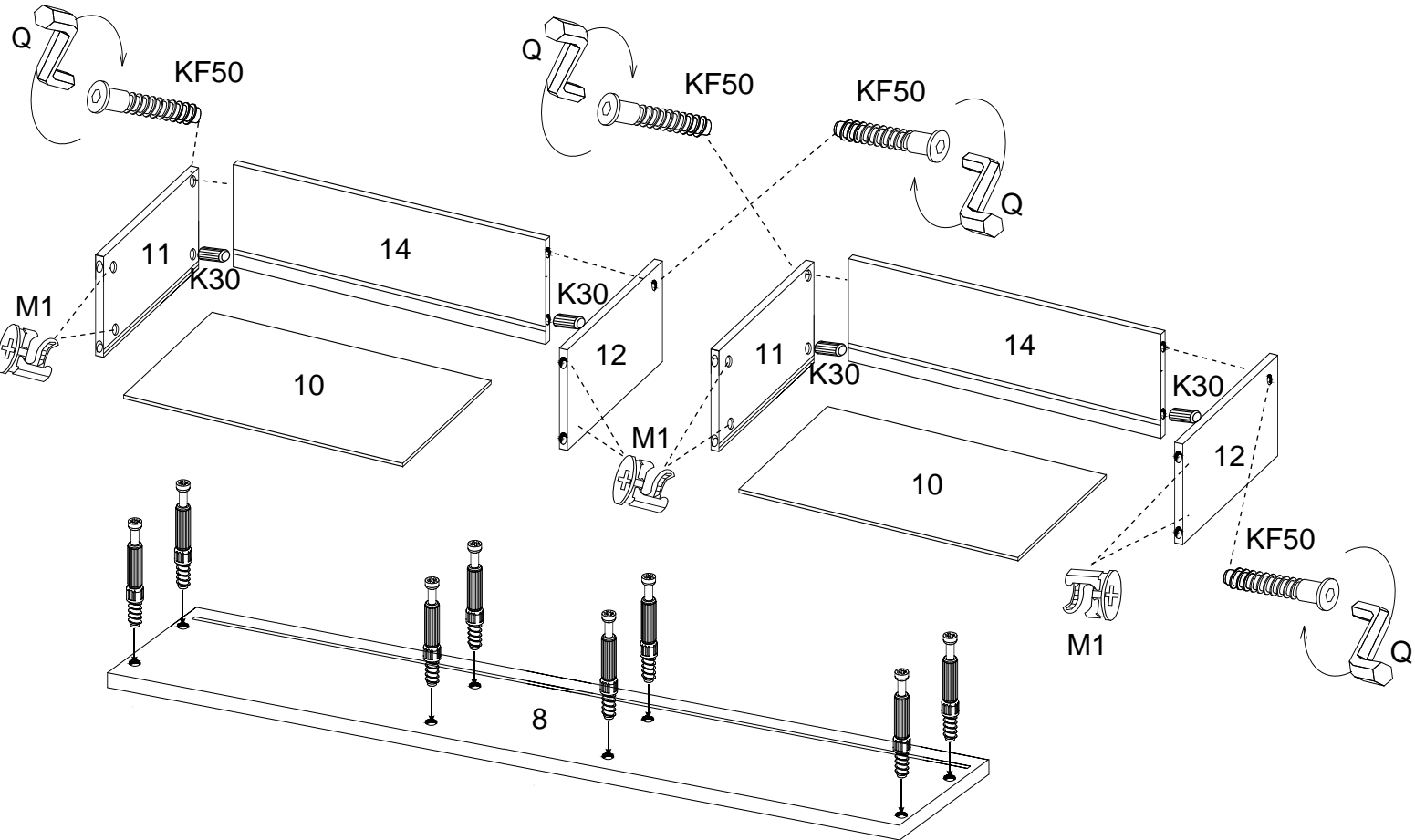


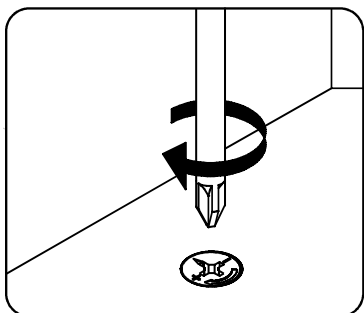
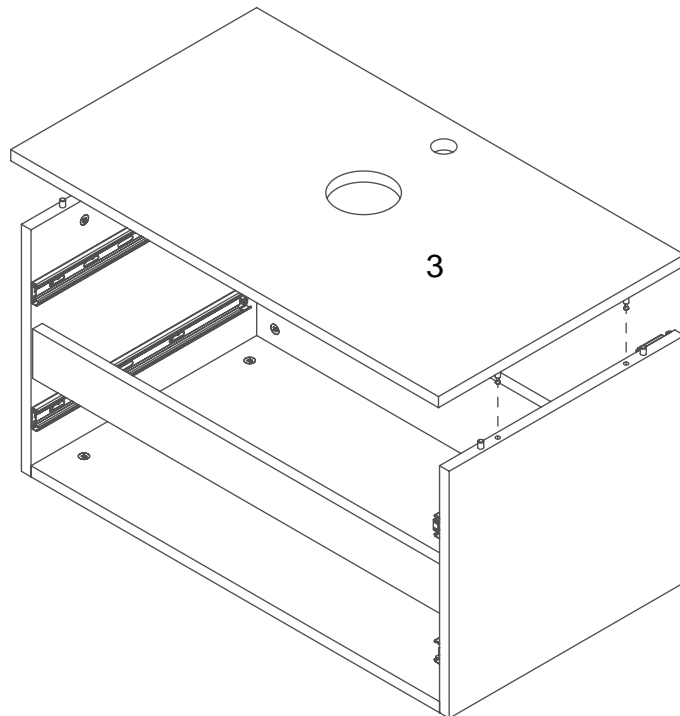
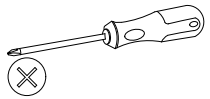
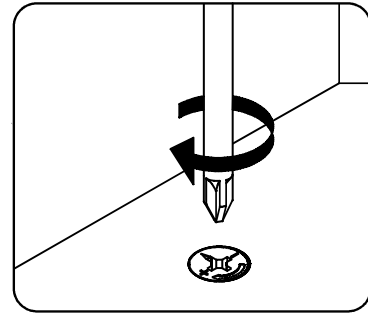
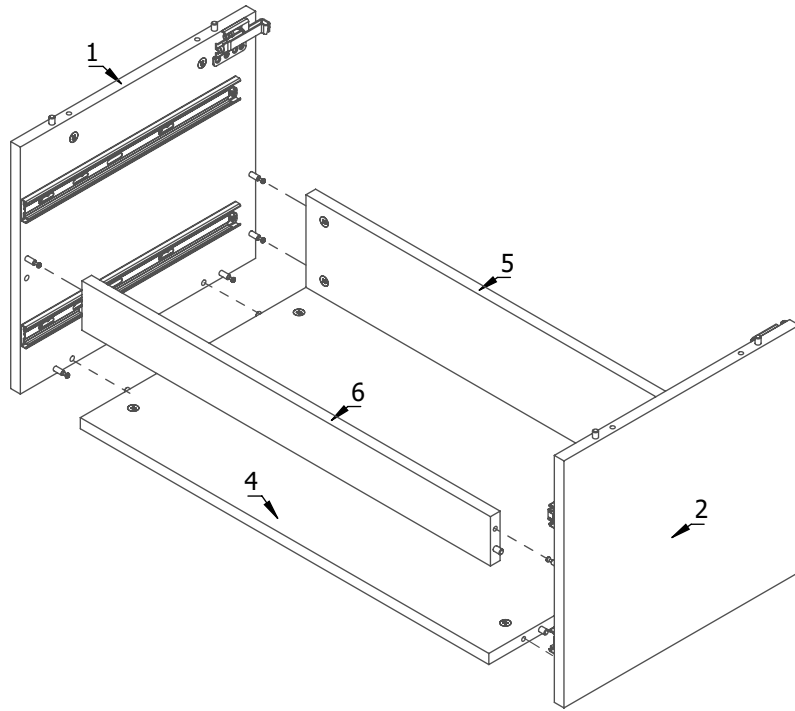
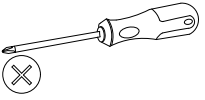
K30	M1	T1	E5x13	RP	Q	KF50
						
2	4	4	4	2	1	2

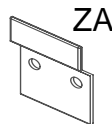
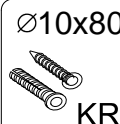
WS	H3
	
1	3x13
	2

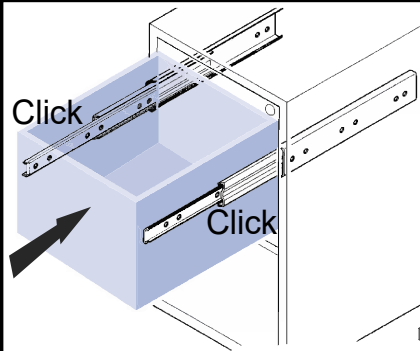
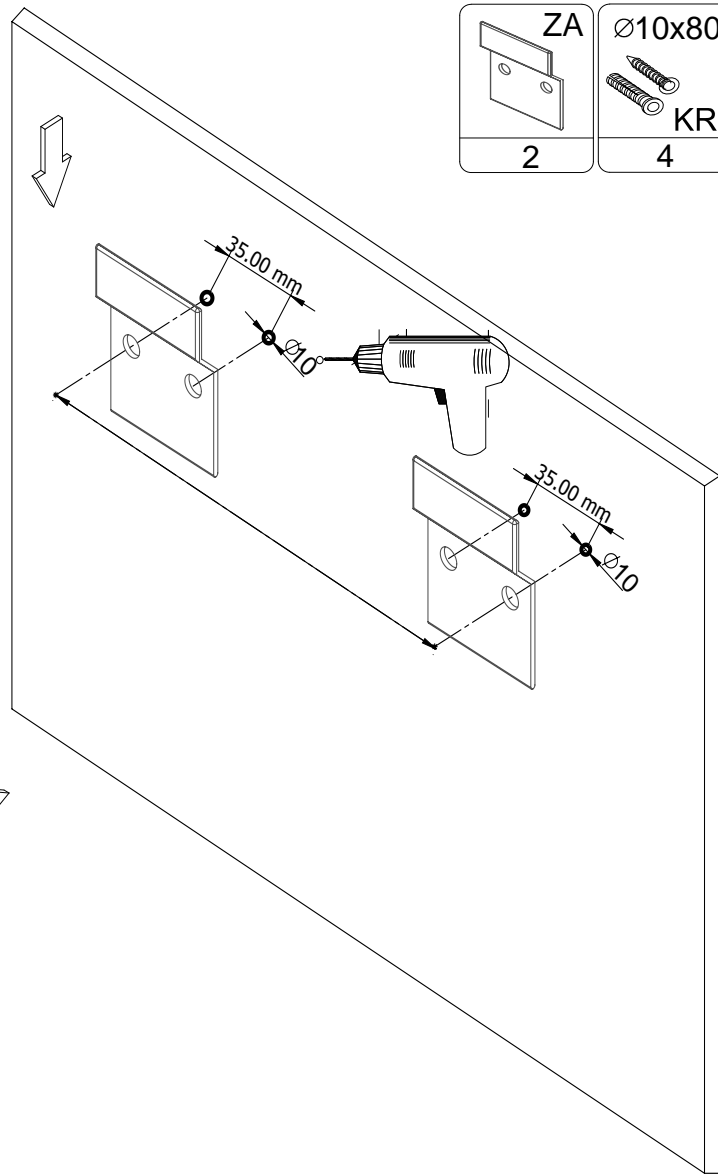
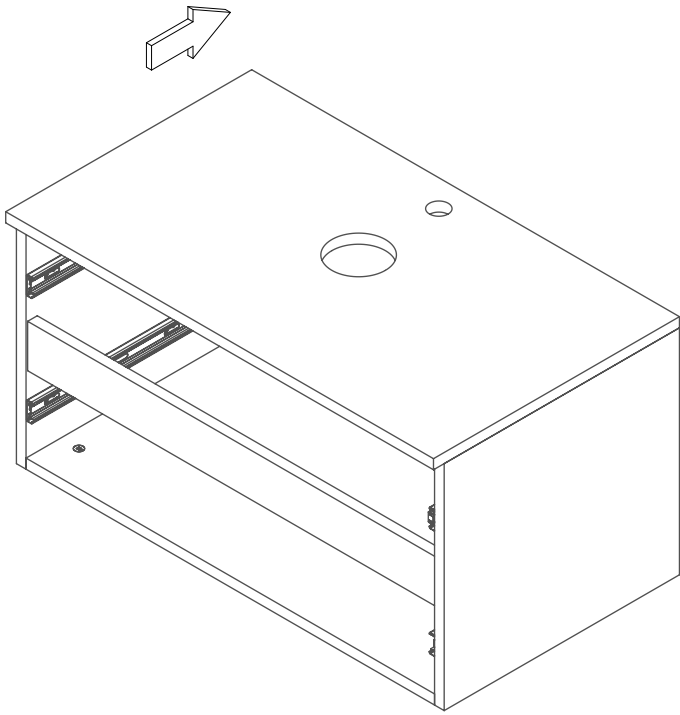


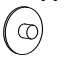
K30  4	M1  8	T1  8	E5x13  4	RP  2	Q  1	KF50  4
--	---	---	--	---	--	---





 ZA	 Ø10x80 KR
2	4



x

26

