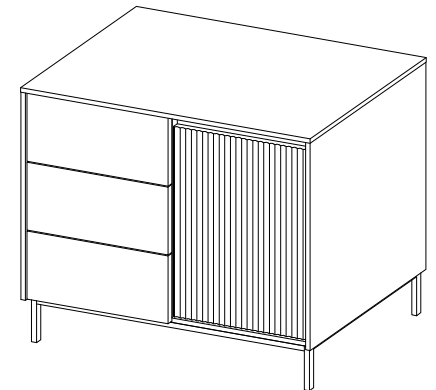
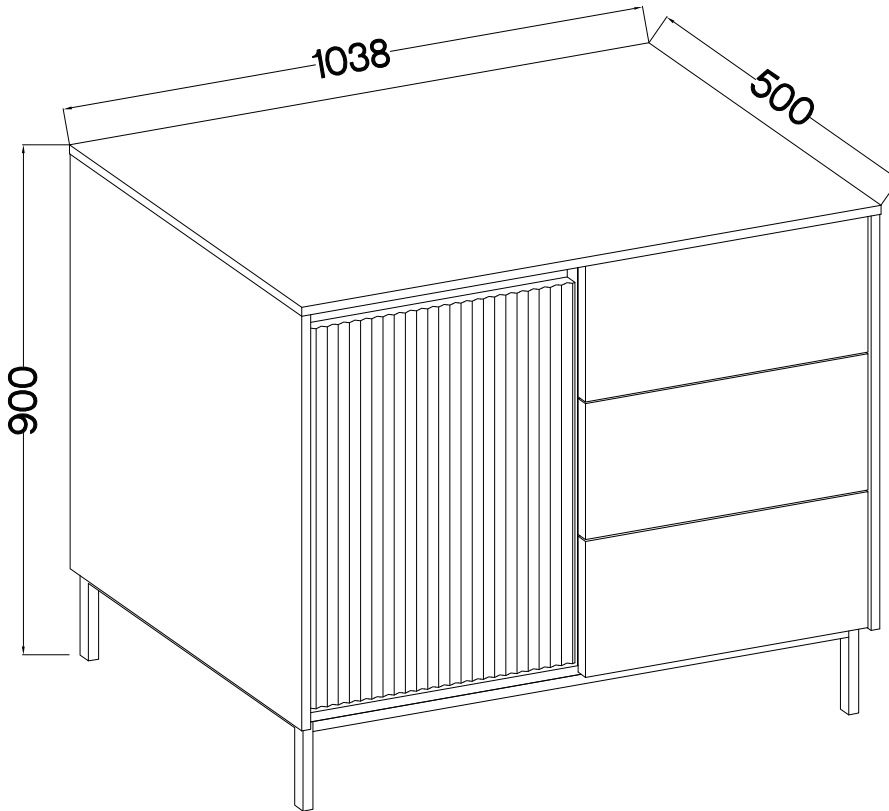
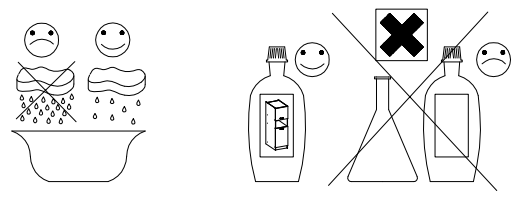


TYP 802

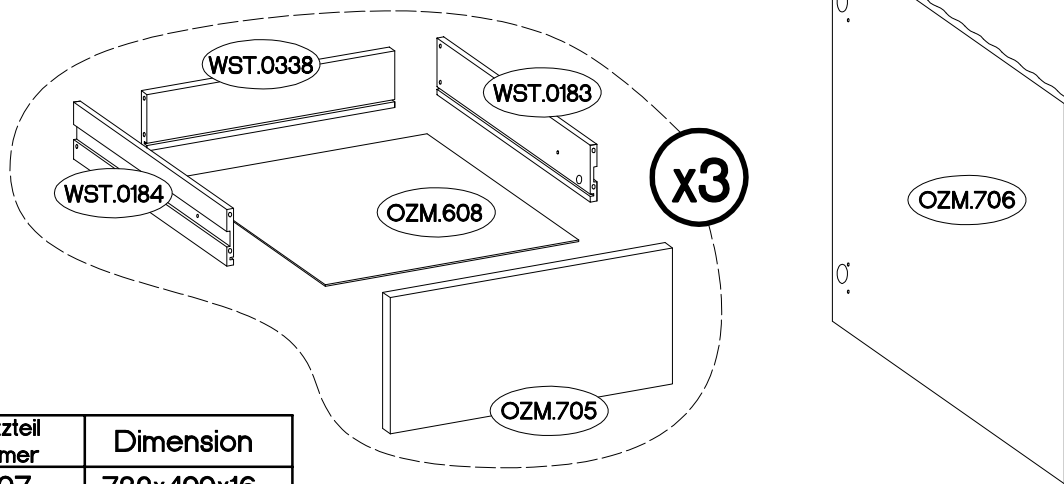
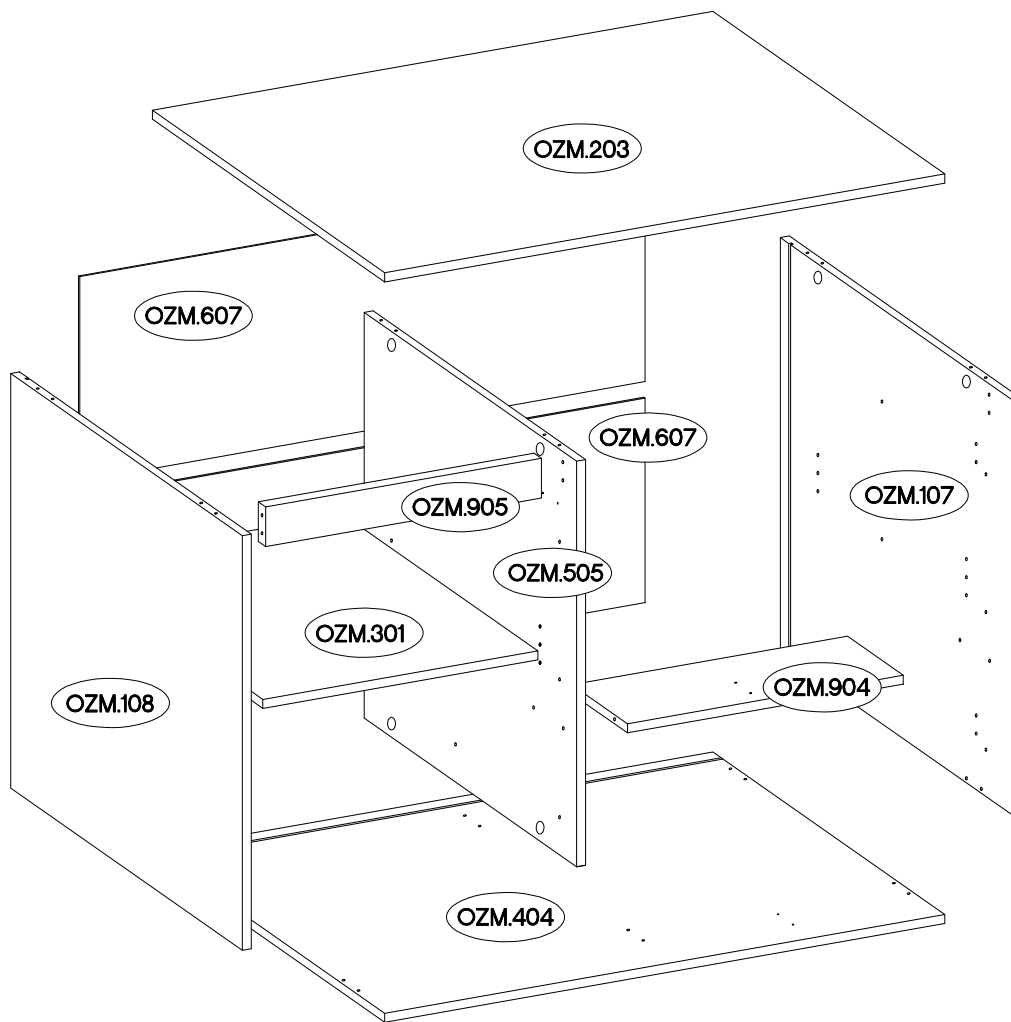


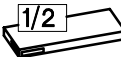
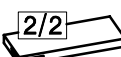
±14 E13 4	 O 1	48x15cm SX17 2	L=96cm SS6 2	±4.0x30mm R2 10	M5,8x30mm U16 4
---------------------	------------	--------------------------	------------------------	---------------------------	---------------------------

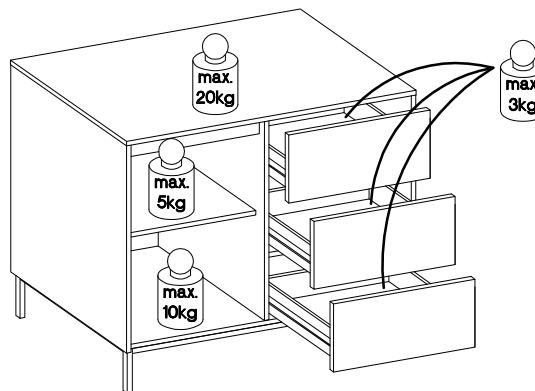
±8x30mm A 28	±6x42mm B2 6	±15/12mm C 16	±12/10mm C5 6	L=20mm D2 22	 E 6	±35/16mm HG2 2	27/310mm I4 3	±5/16mm J3 4	±20/16mm J44 6
------------------------	------------------------	-------------------------	-------------------------	------------------------	------------	--------------------------	-------------------------	------------------------	--------------------------

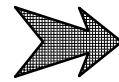
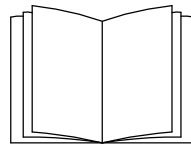
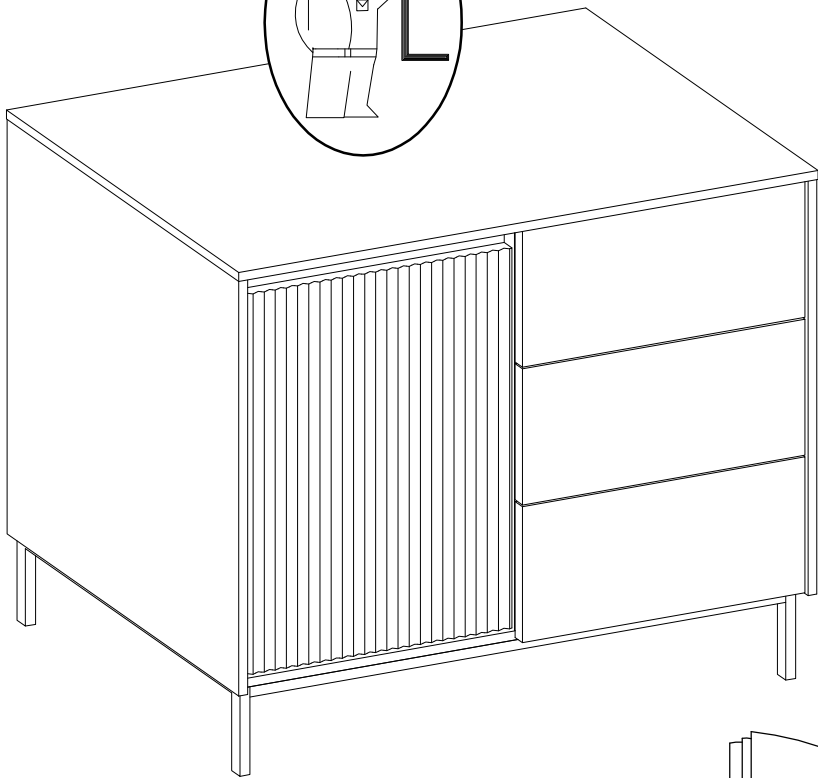
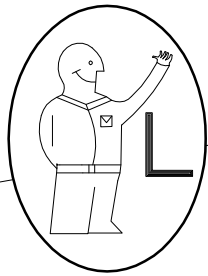
 L 22	L=1002mm L1 1	 L9 1	 L46 4	±6.3x13mm M2 6	±6.3x28mm M8 6	±10x50mm O7 1	±3.5x13mm P5 13	±3.0x20mm P7 6	M4x9mm U1 6
-------------	-------------------------	-------------	--------------	--------------------------	--------------------------	-------------------------	---------------------------	--------------------------	-----------------------

ISM-OZM-004

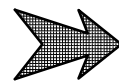
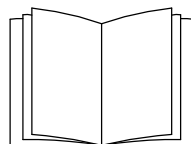
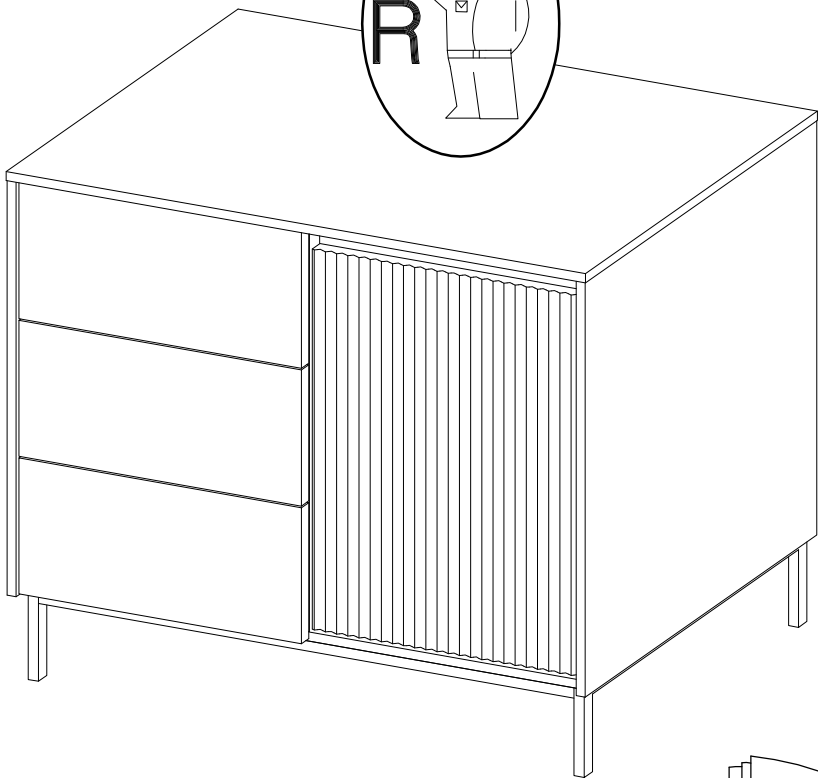
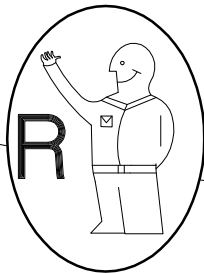


	Ersatzteil Nummer	Dimension
	OZM.107	732x499x16
	OZM.108	732x499x16
	OZM.505	716x458x16
	OZM.705 x3	240x506x16
	OZM.706	671x490x18
	OZM.203	1038x500x16
	OZM.404	1004x481x16
	OZM.904	494x120x16
	OZM.905	494x70x16
	OZM.301	493x420x16
	OZM.607 x2	1013x361x2,5
	OZM.608 x3	455x327x2,5
	WST.0183 x3	330x100x12
	WST.0184 x3	330x100x12
WST.0338 x3	444x100x12	




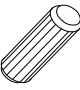


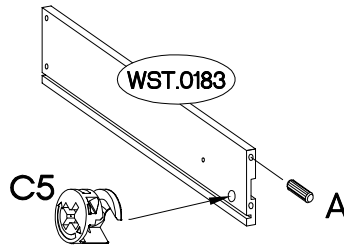
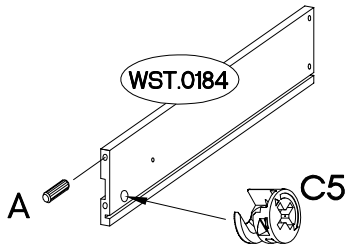
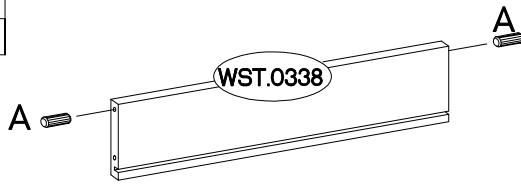
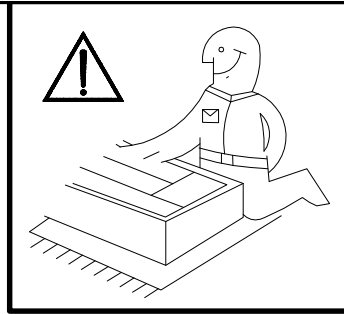
1 — 18



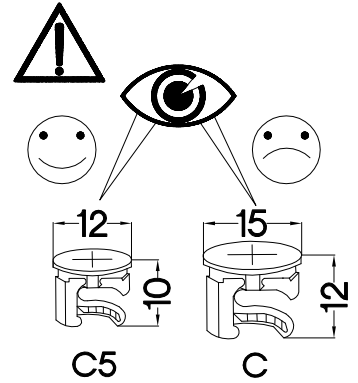
1 — 5
19 — 31

1

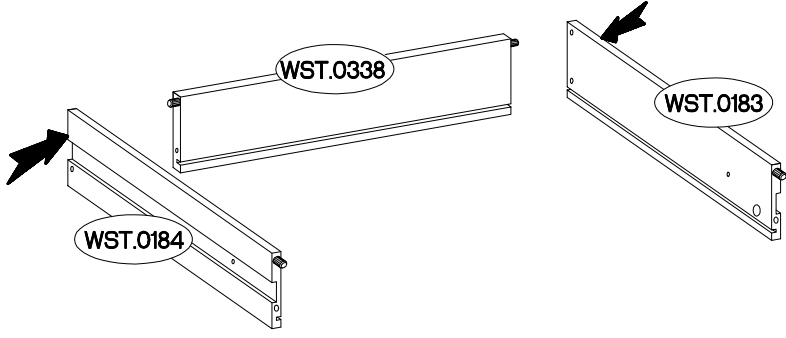
±12/10mm  C5 6	±8x30mm  A 12
---	--




x3

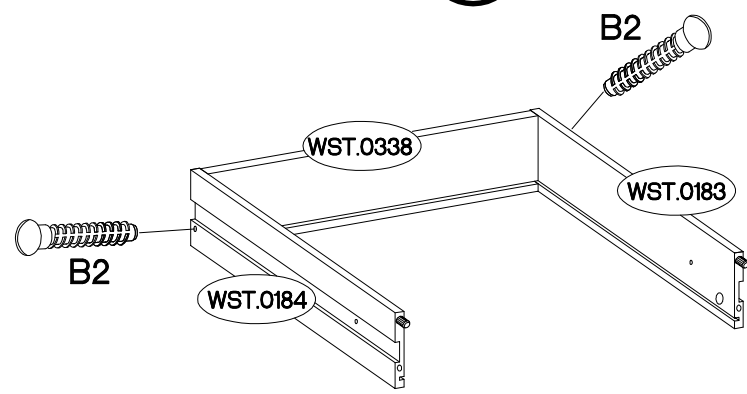
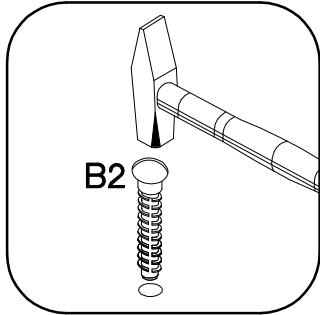


2




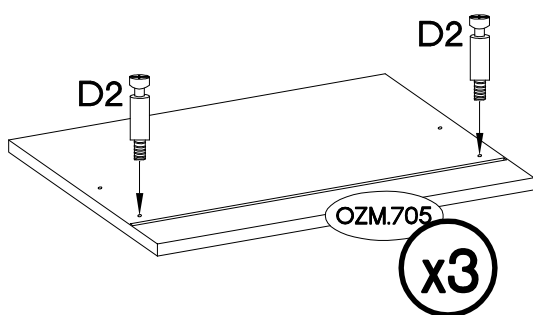
±6x42mm  B2 6

x3

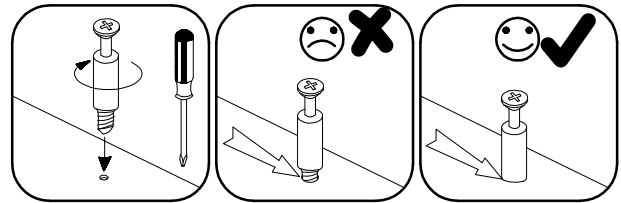


3

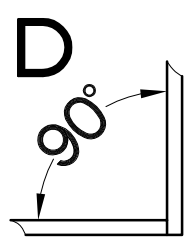
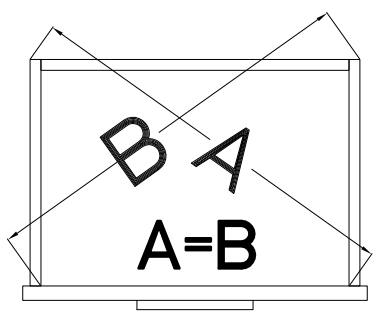
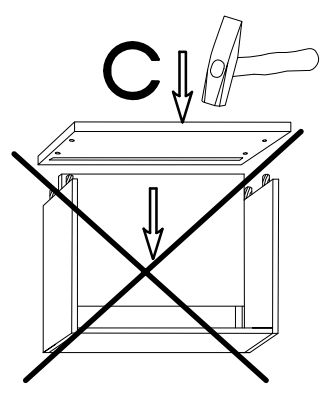
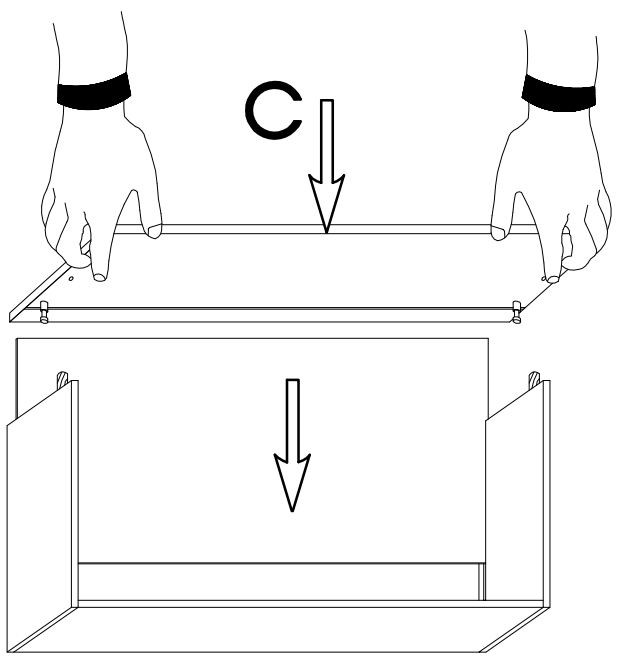
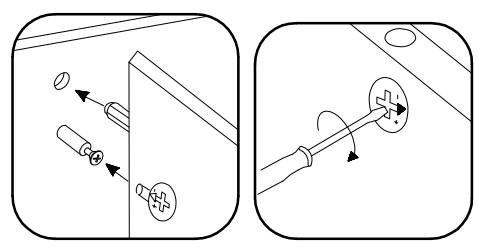
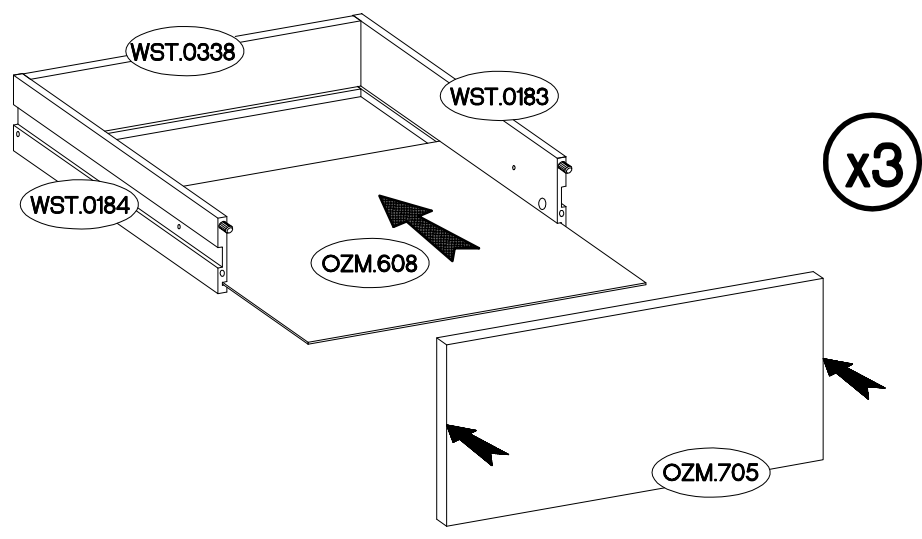
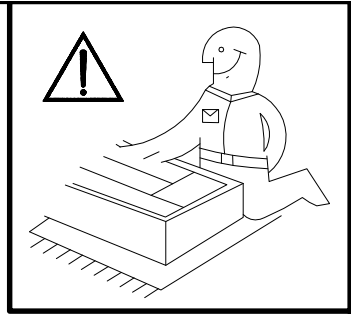
L=20mm  D2 6
--



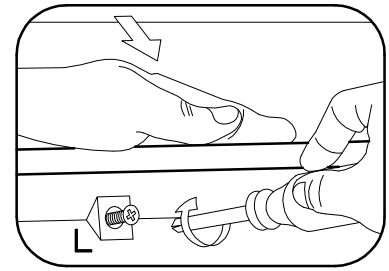
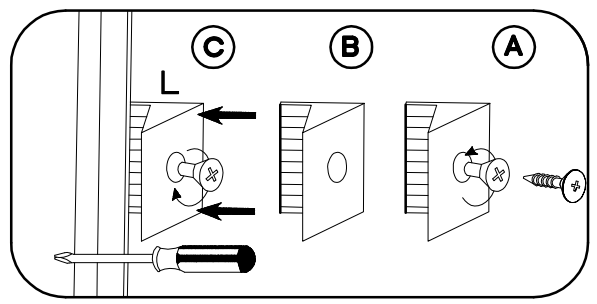
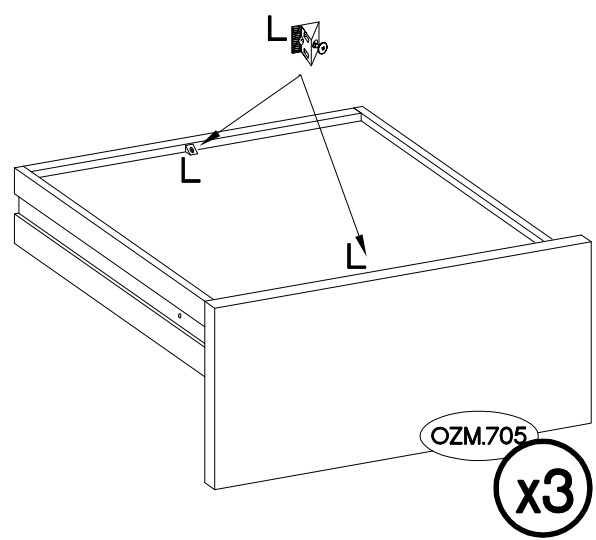
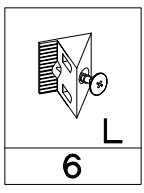
x3

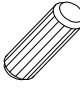

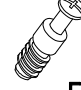





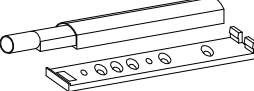


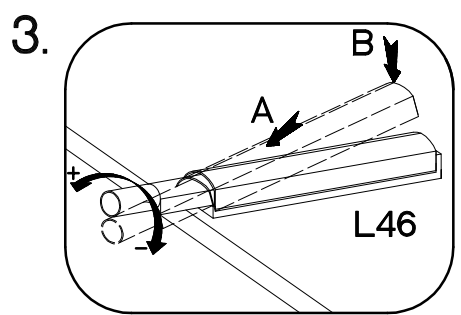
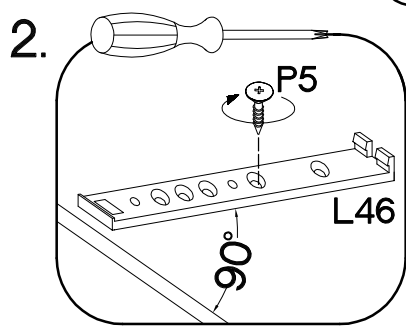
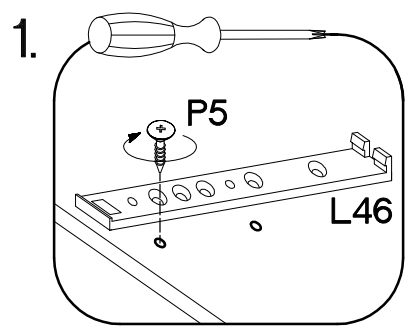
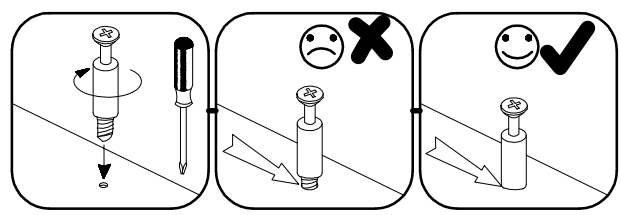
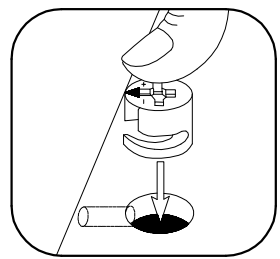
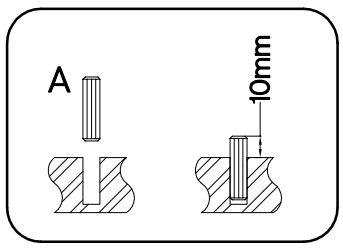
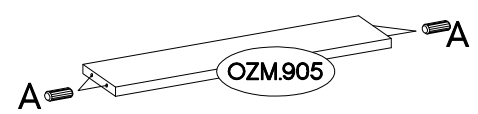
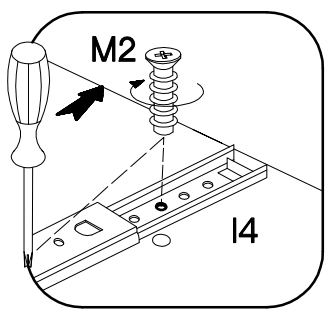
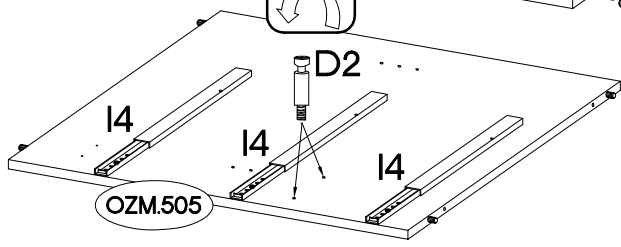
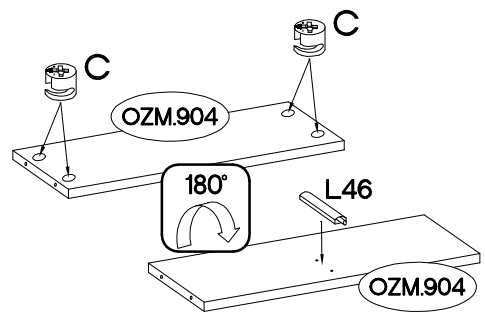
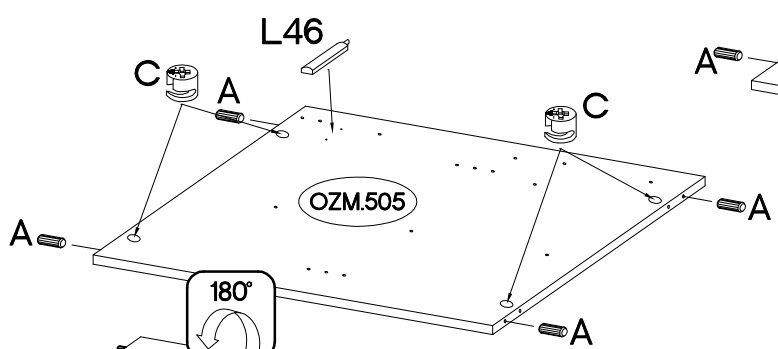
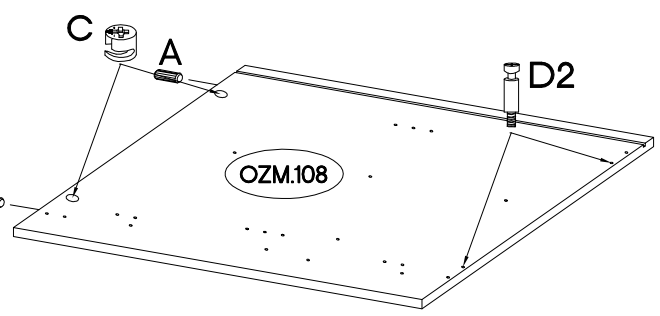
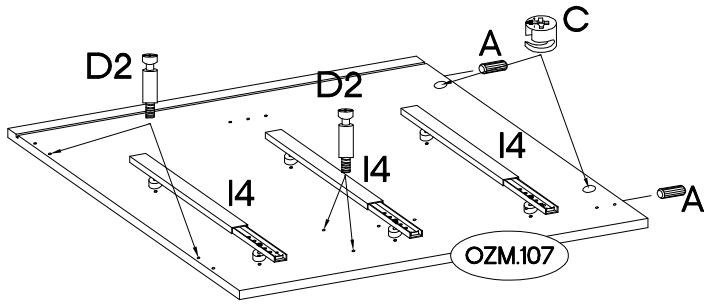
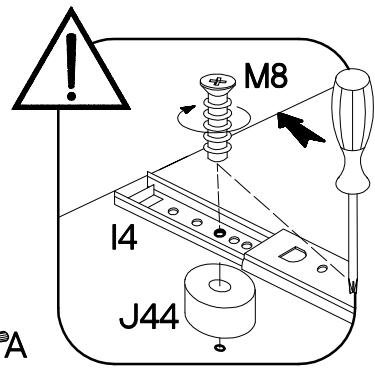
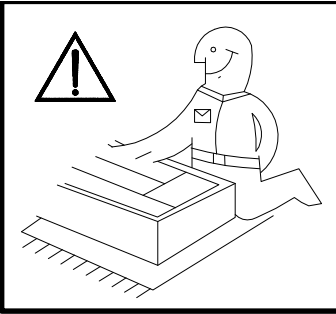
4

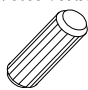


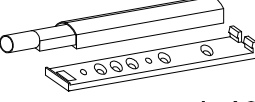



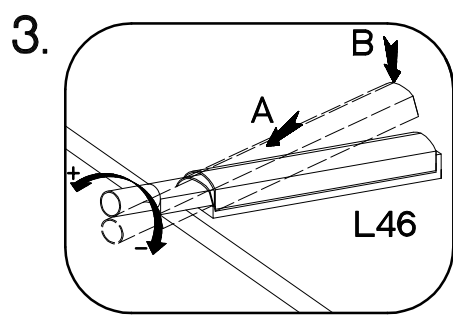
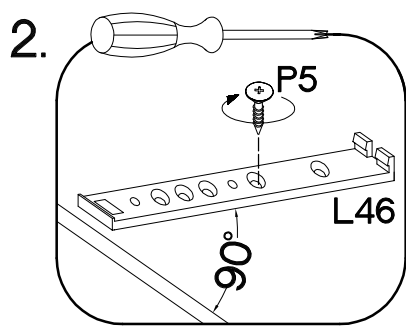
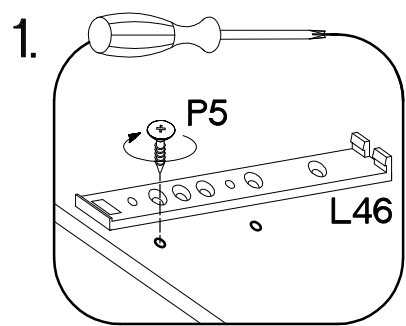
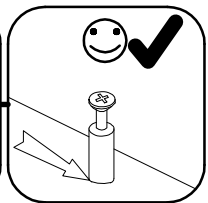
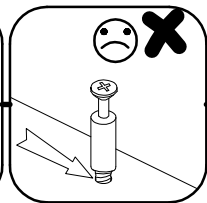
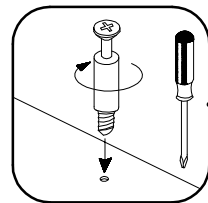
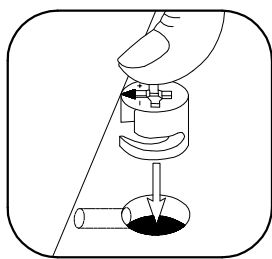
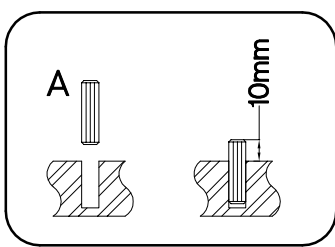
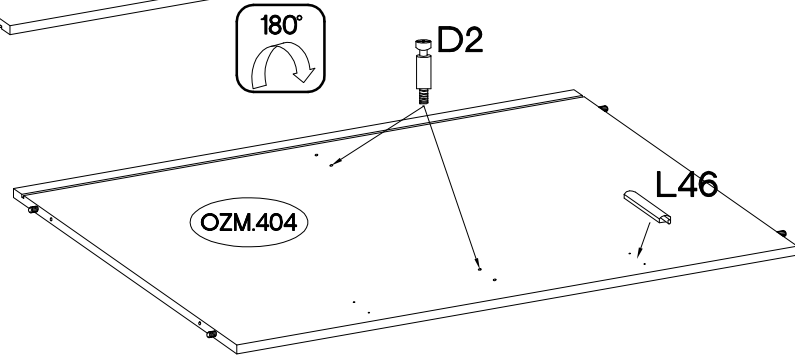
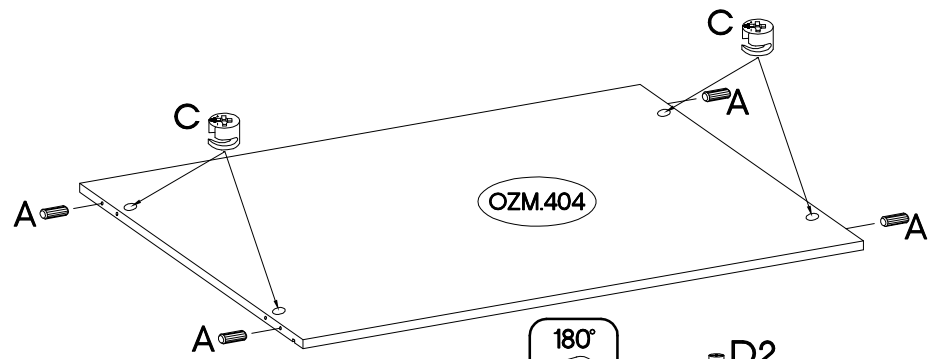
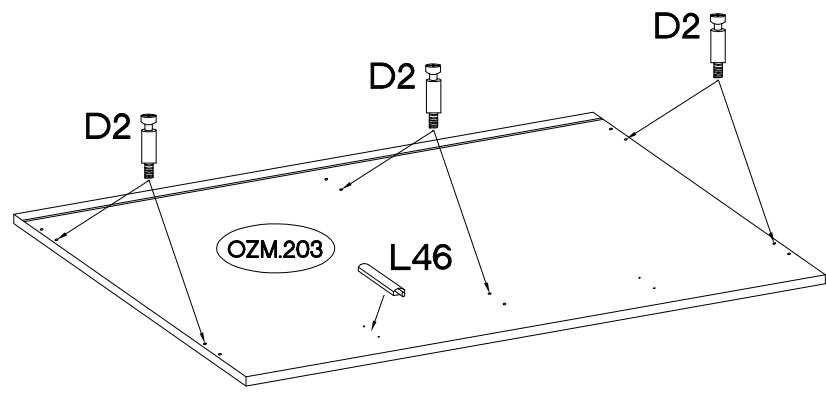
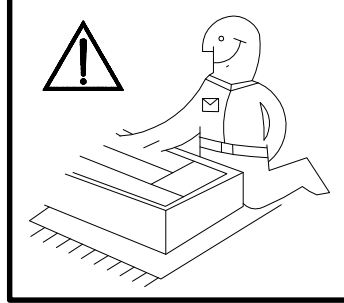
5



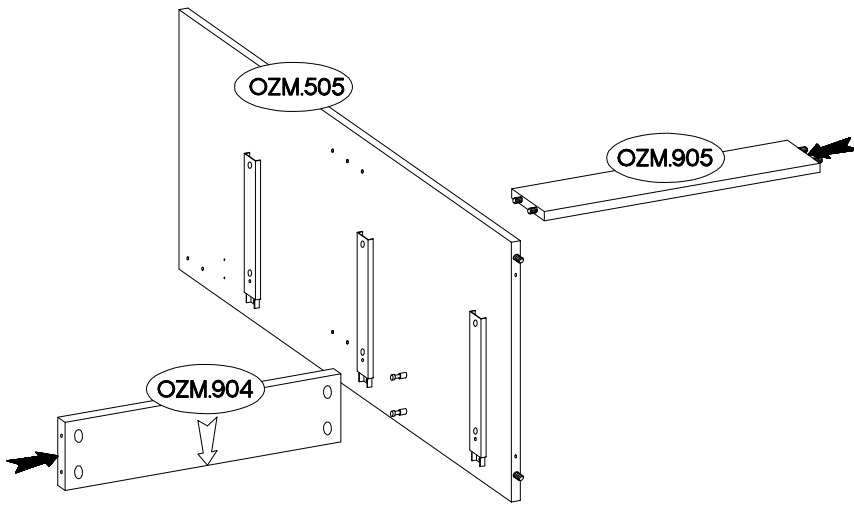
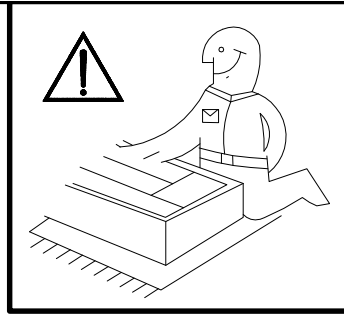
+8x30mm  A 12	+15/12mm  C 12	L=20mm  D2 8	27/310mm  I4 3	+20/16mm  J44 6	+6,3x13mm  M2 6	+6,3x28mm  M8 6	+3,5x13mm  P5 4
 L46 2							



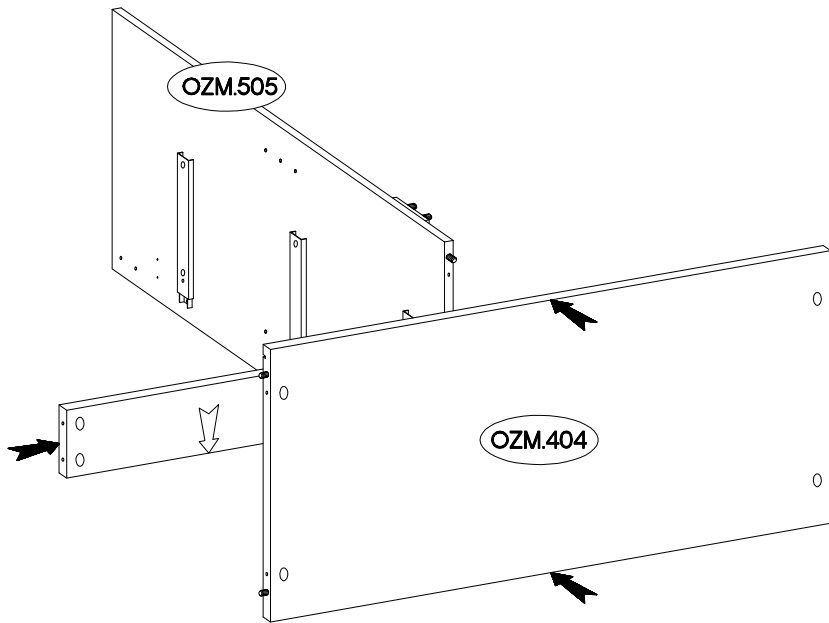
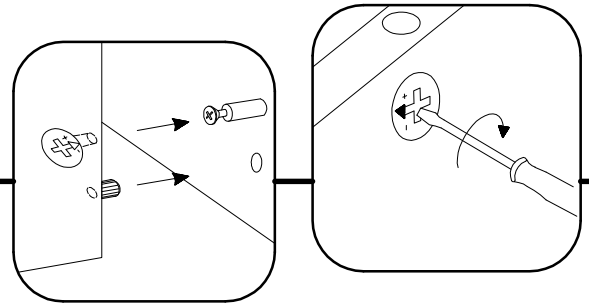
 <p>±8x30mm A</p>	 <p>±15/12mm C</p>	 <p>L=20mm D2</p>	 <p>L46</p>	 <p>±3.5x13mm P5</p>
4	4	8	2	4



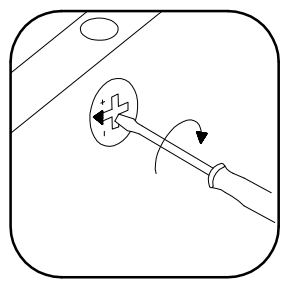
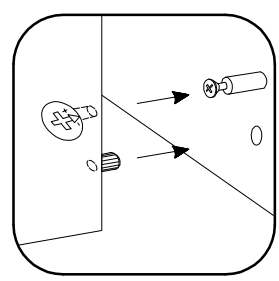
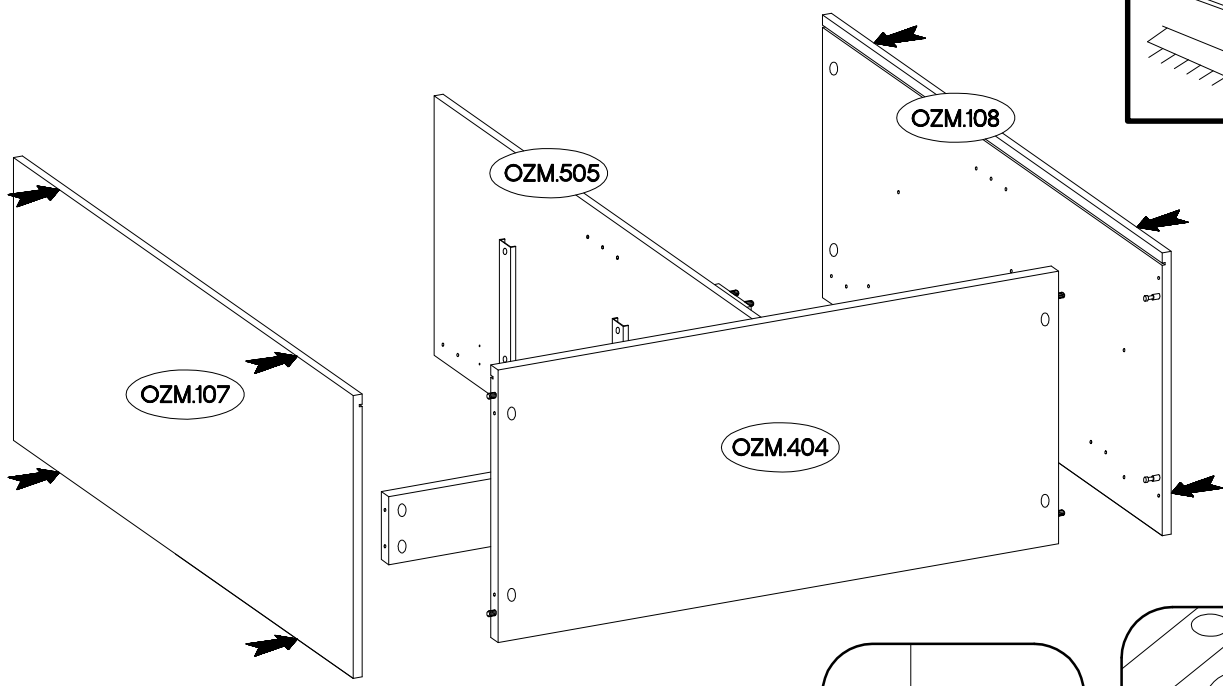
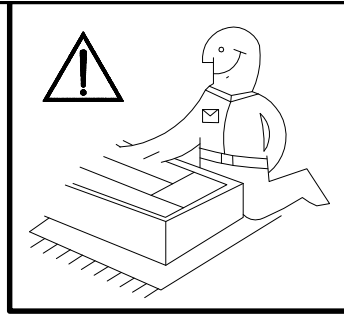
8



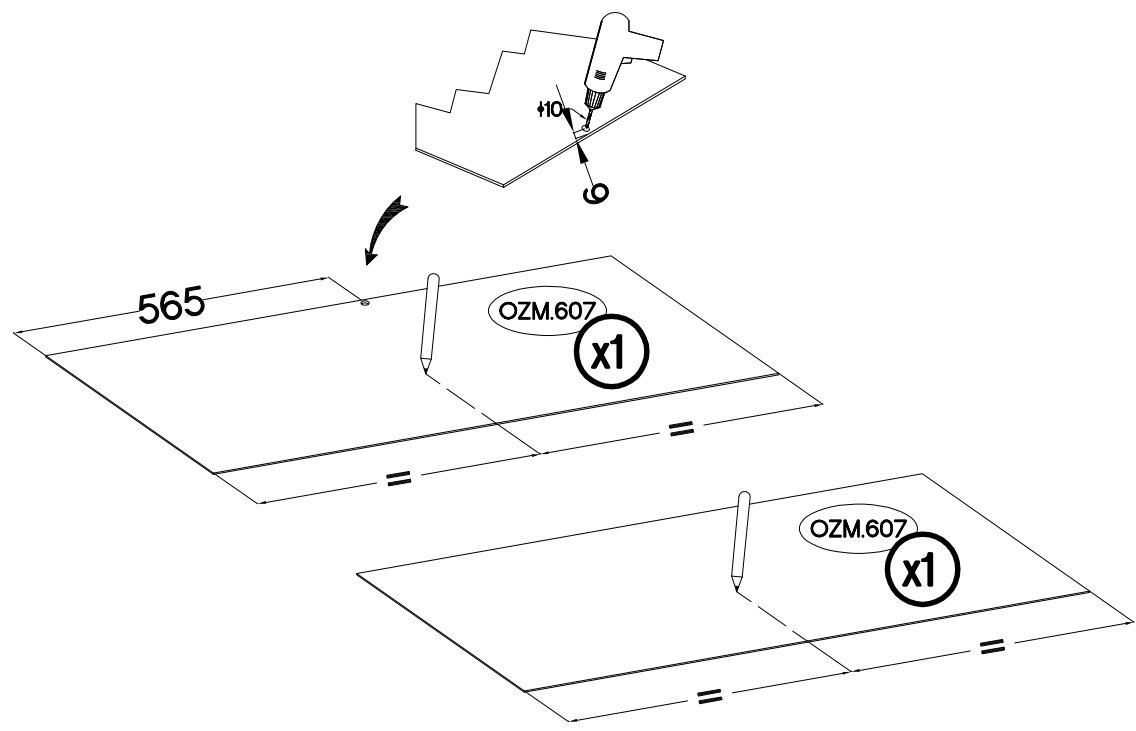
9


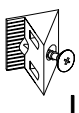
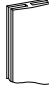


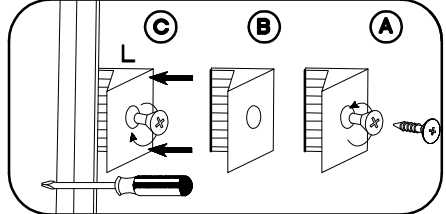
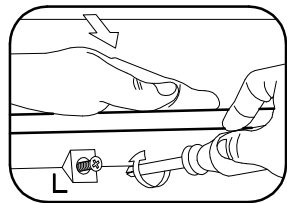
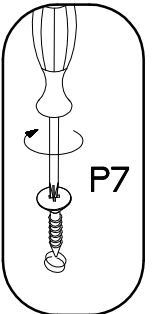
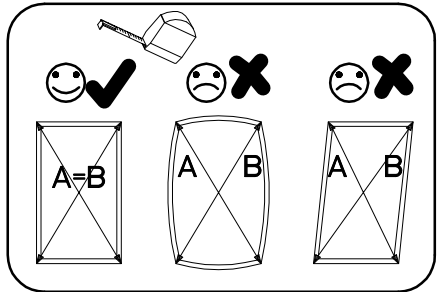
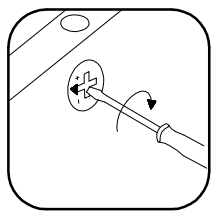
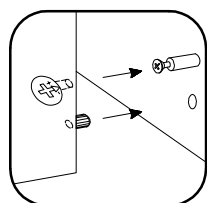
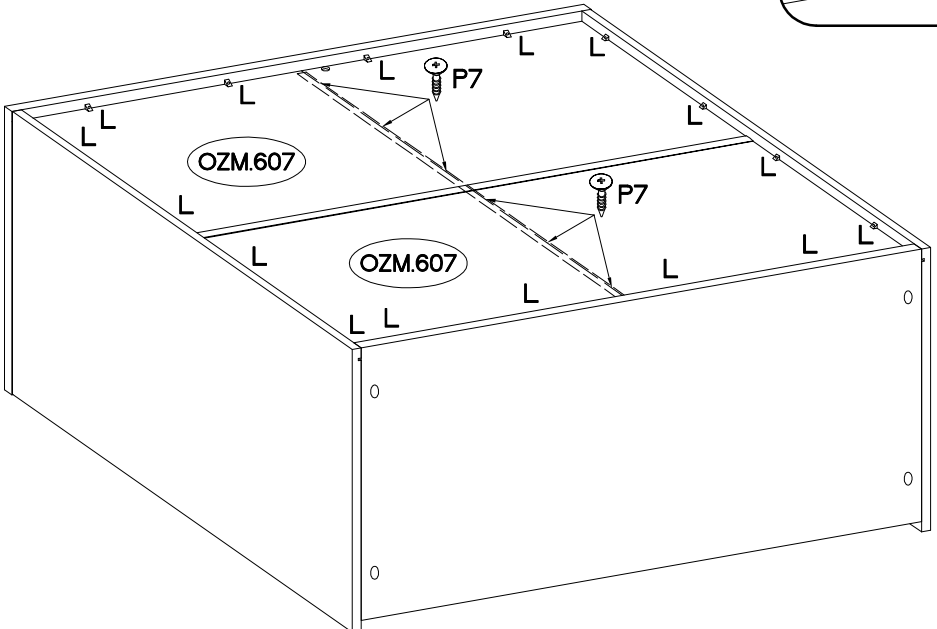
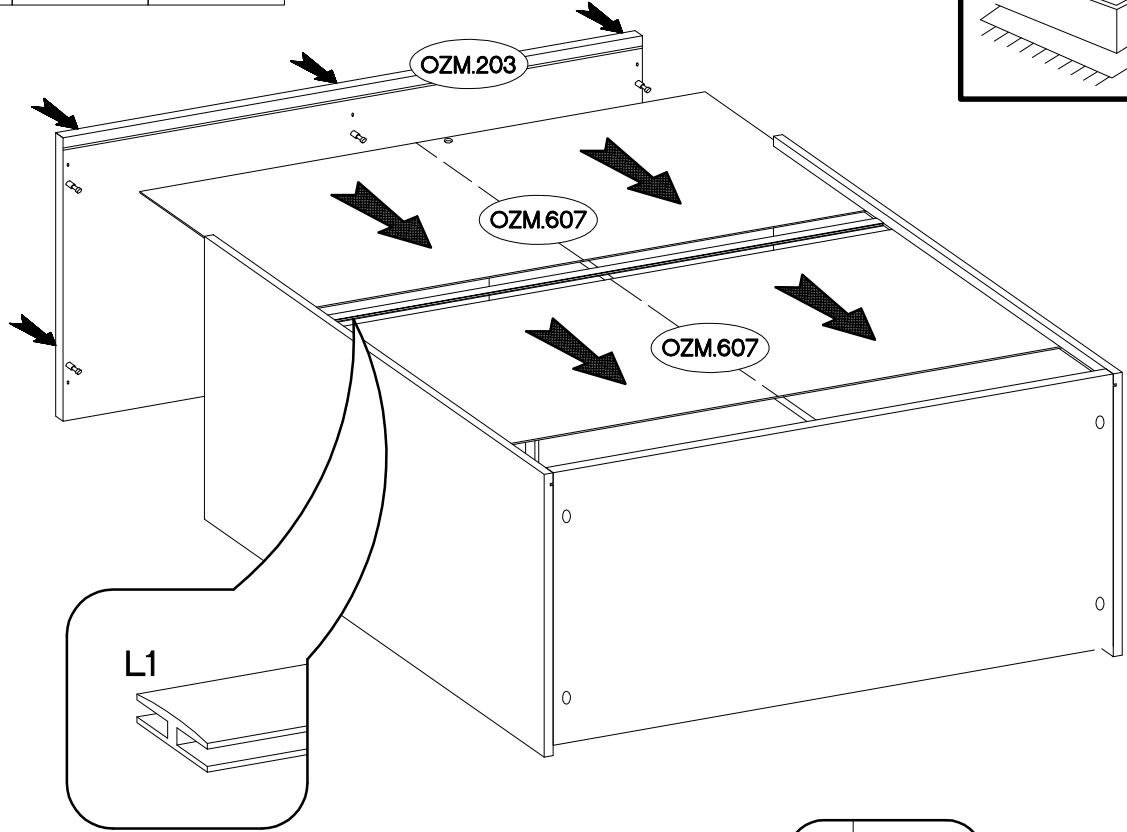
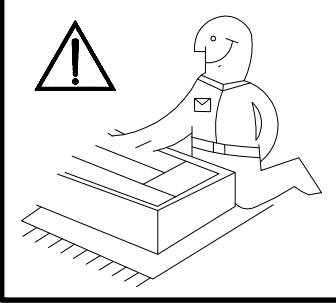
10


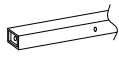


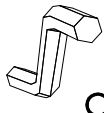
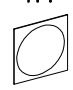


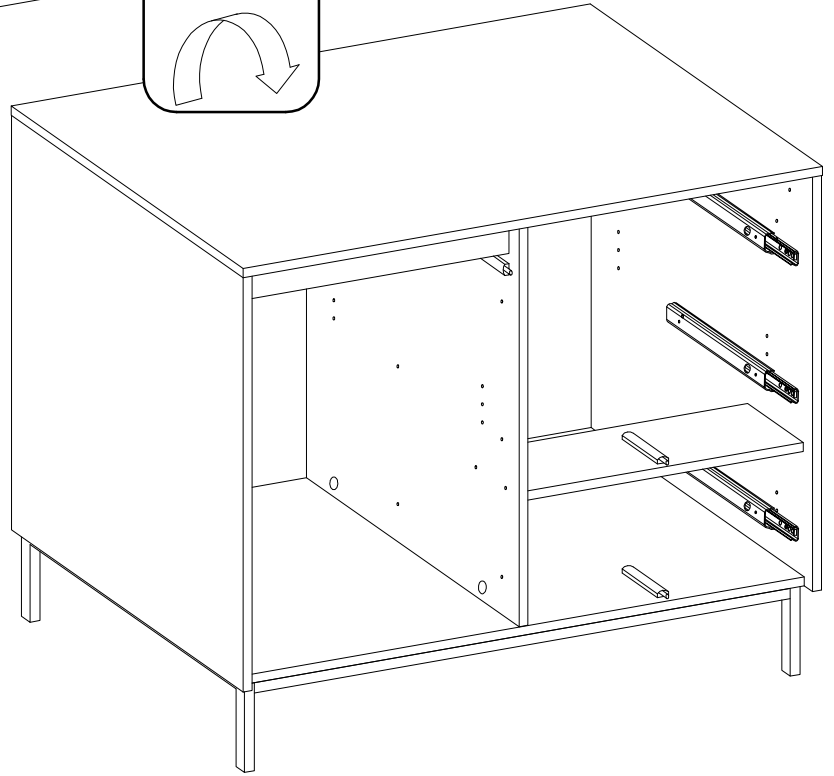
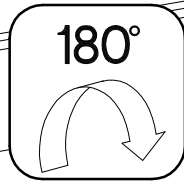
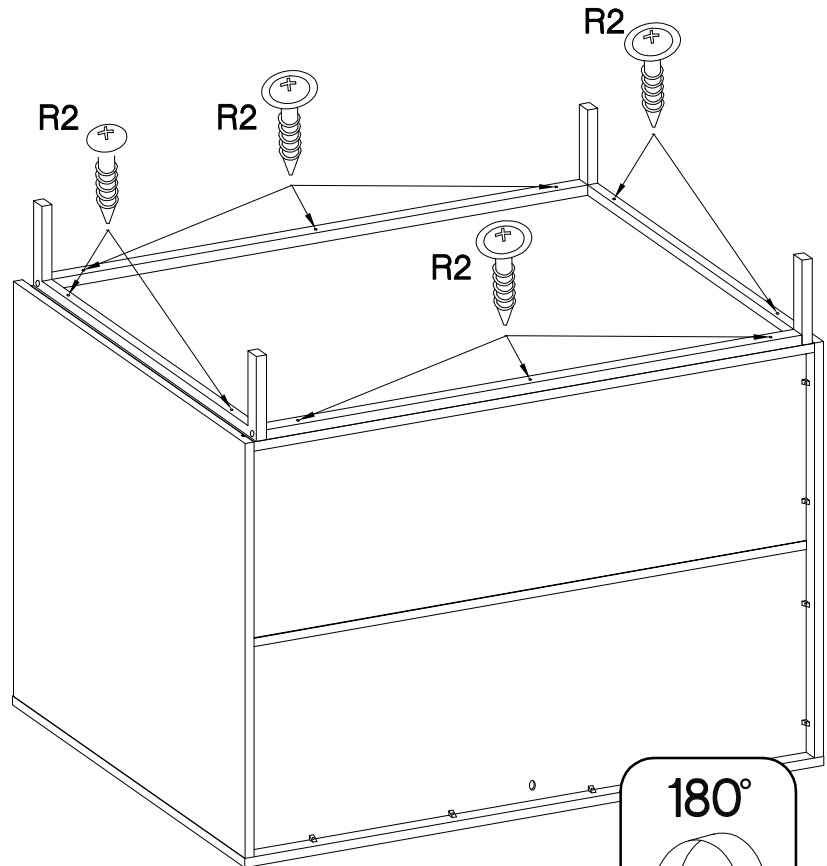
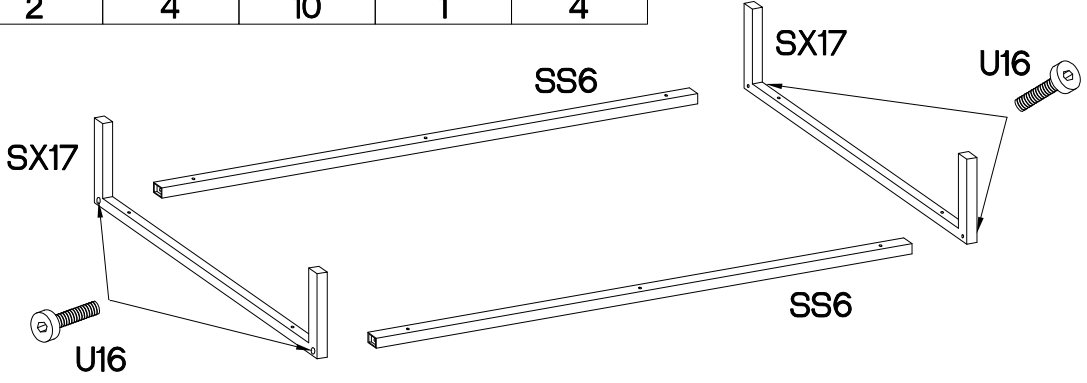
11






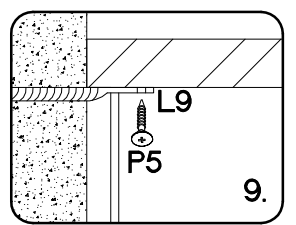
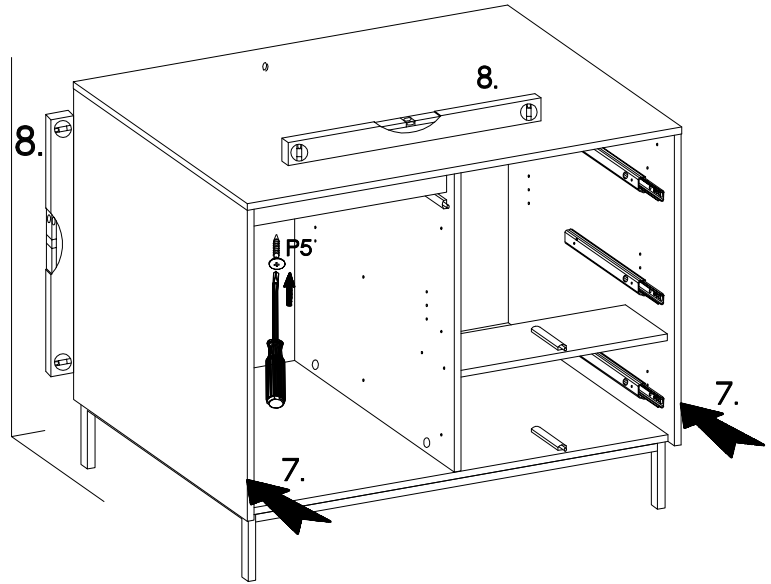
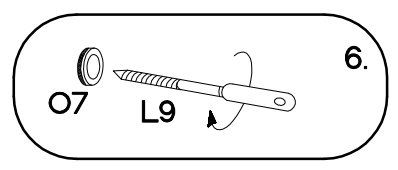
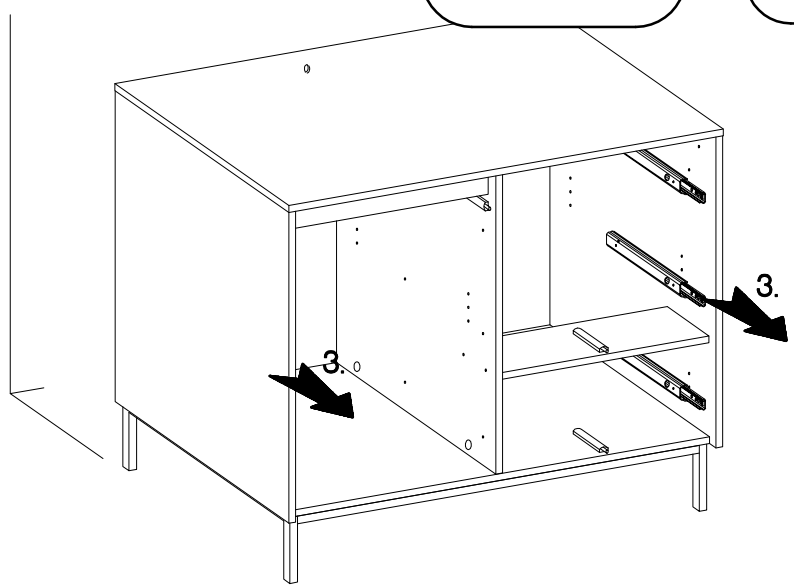
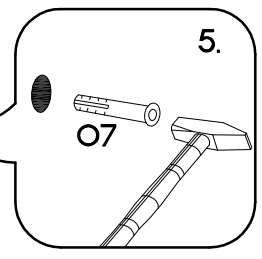
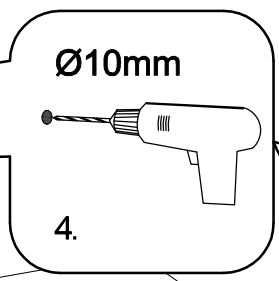
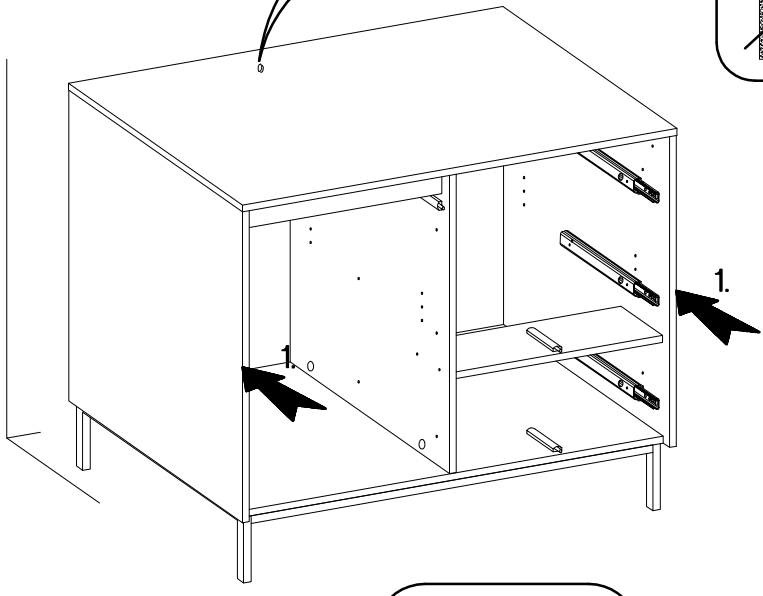
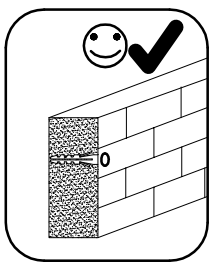
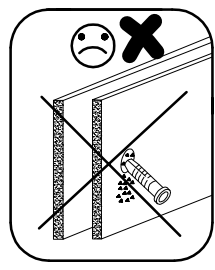
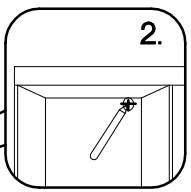
 P7 6	 L 16	 L=1002mm L1 1
--	--	---



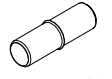
48x15cm  SX17 2	L-96cm  SS6 2	M5,8x30mm  U16 4	+4.0x30mm  R2 10	 O 1	14  E13 4
---	---	--	--	---	---

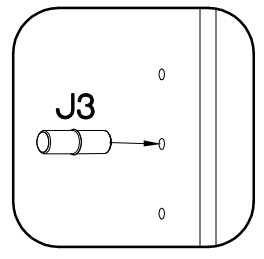
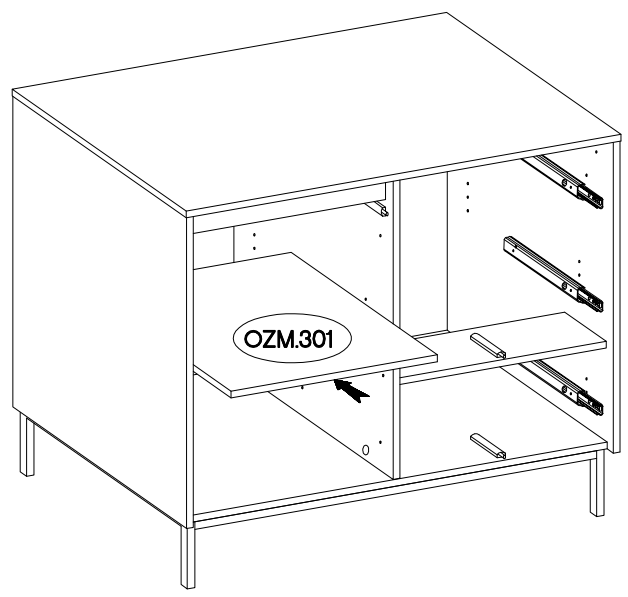


$\pm 10 \times 50 \text{mm}$  O7 1	 L9 1	$\pm 3.5 \times 13 \text{mm}$  P5 1
---	---	--





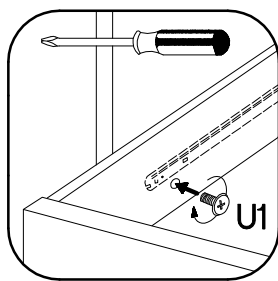
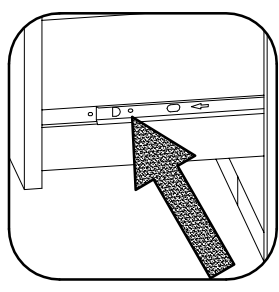
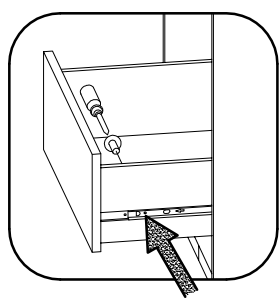
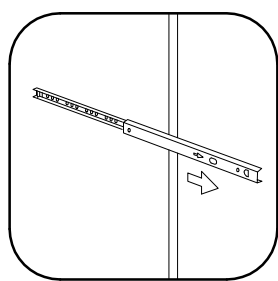
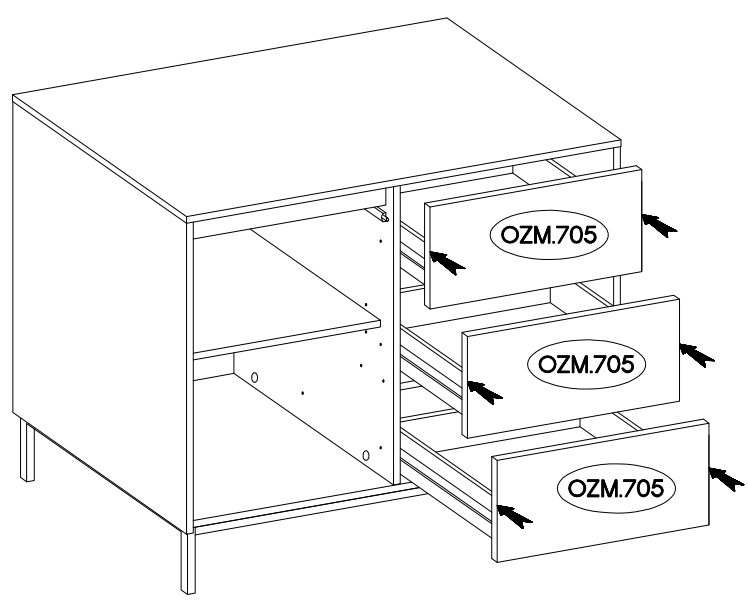
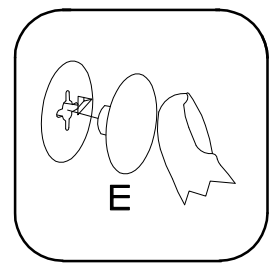
15

±5/16mm

J3
4





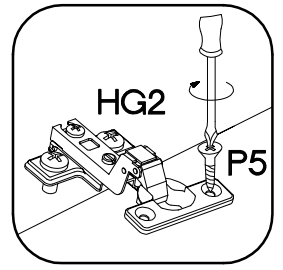
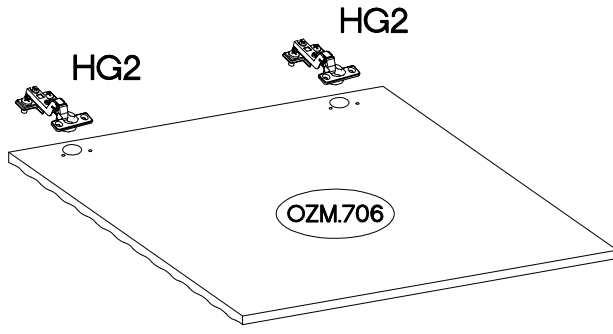
16

M4x9mm		
	U1	E
6		6

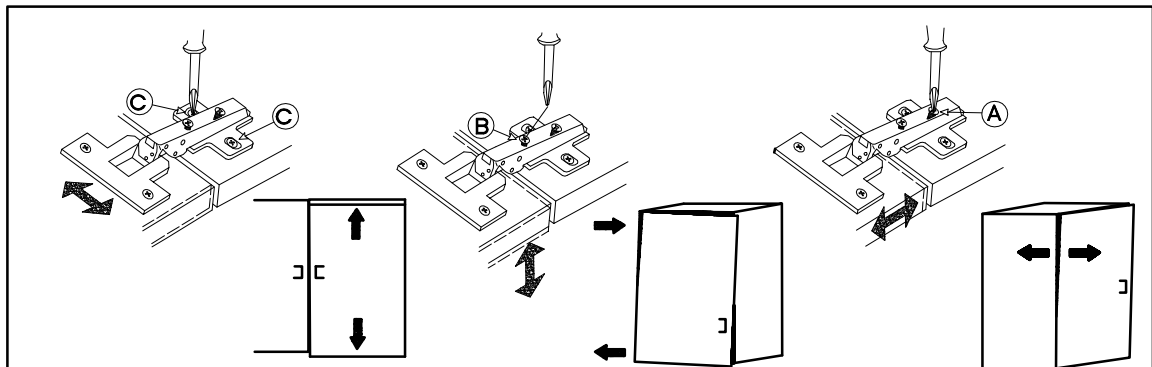
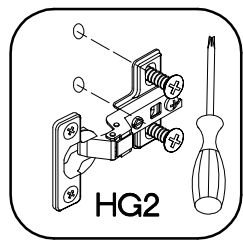
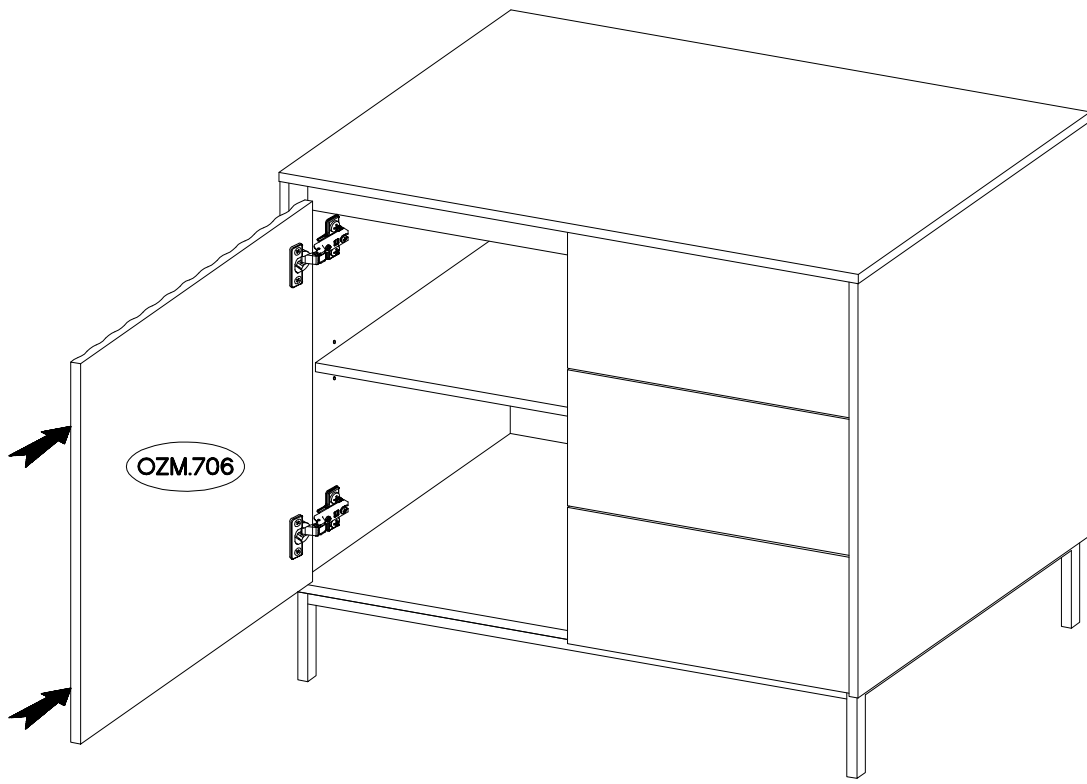


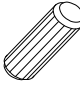

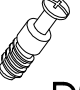





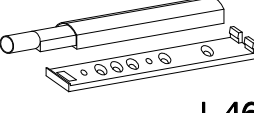
17

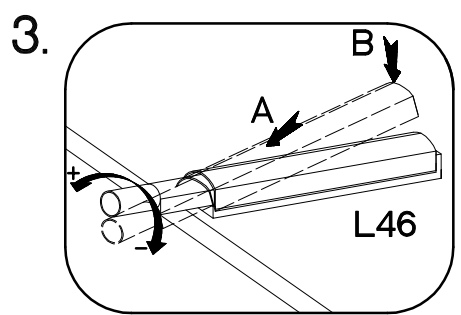
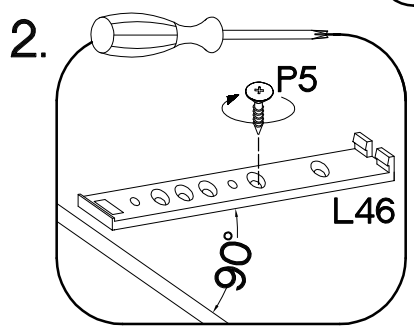
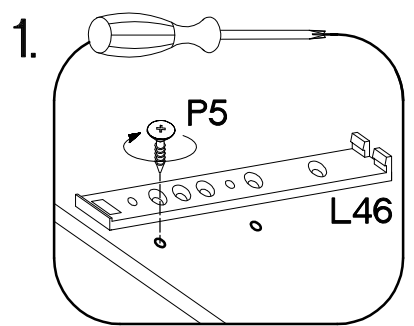
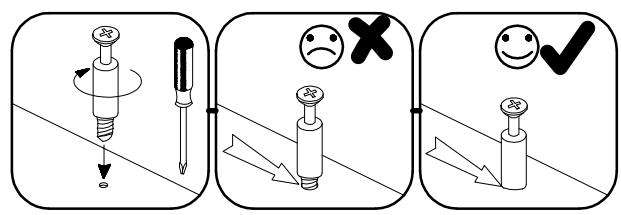
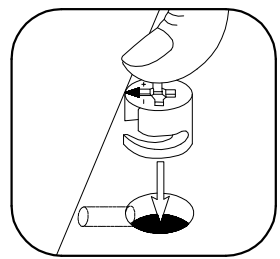
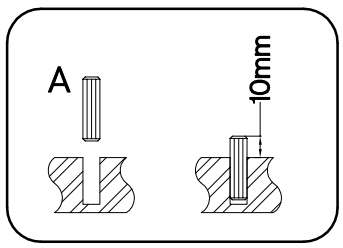
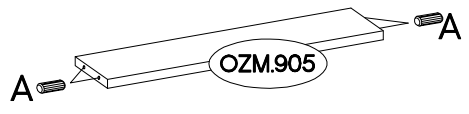
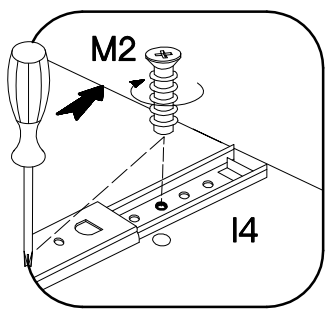
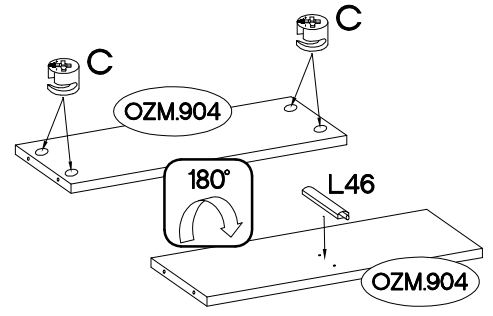
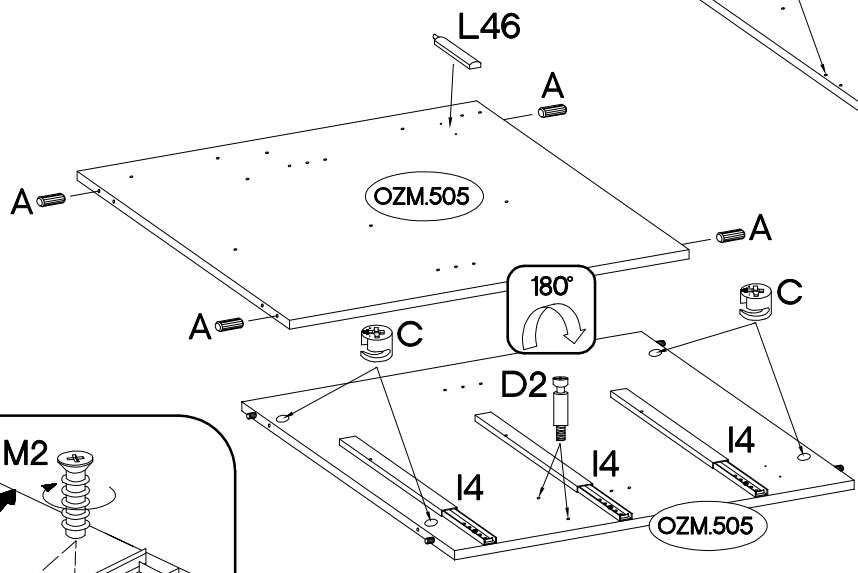
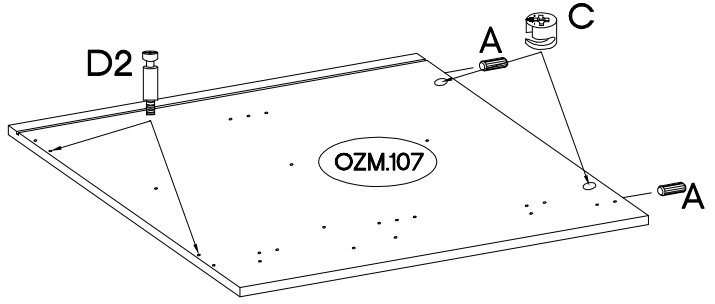
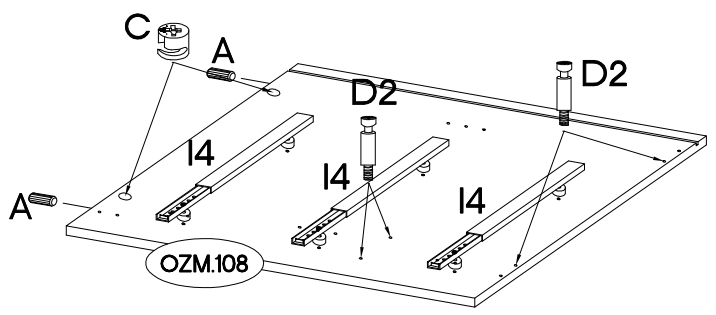
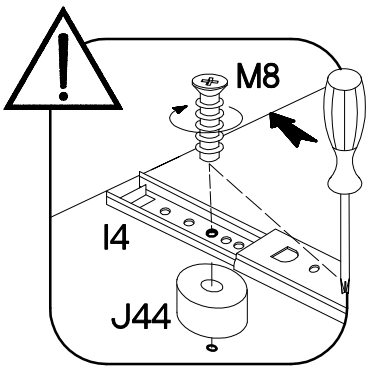
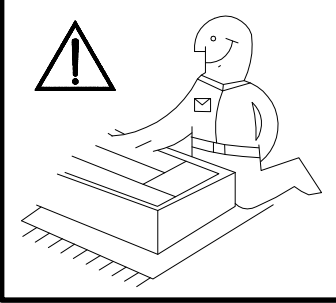
	
†35/16mm	†3.5x13mm
HG2	P5
2	4

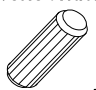


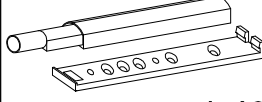



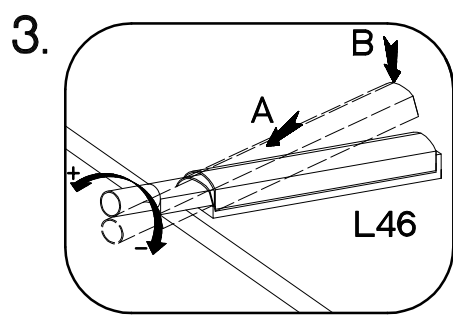
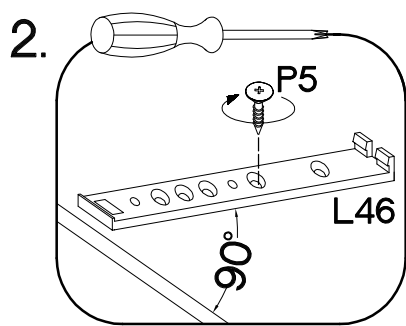
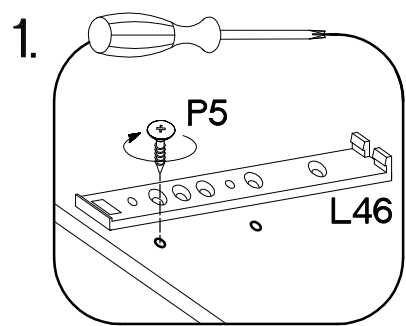
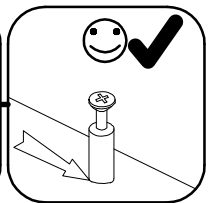
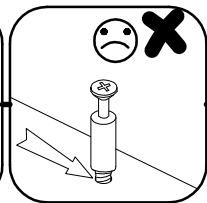
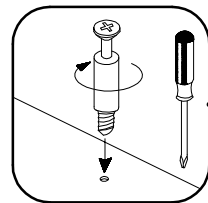
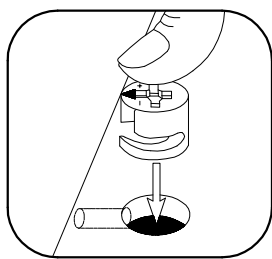
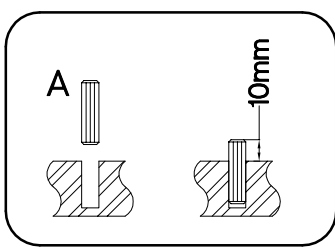
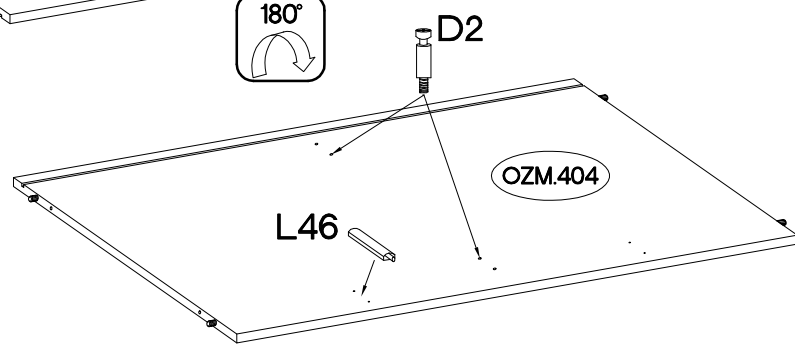
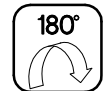
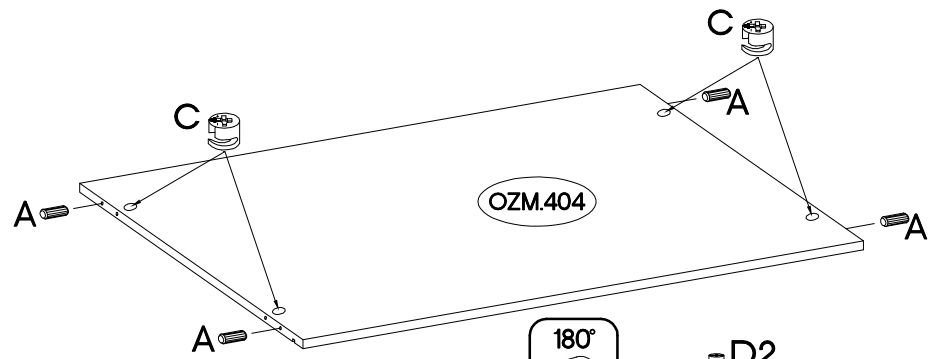
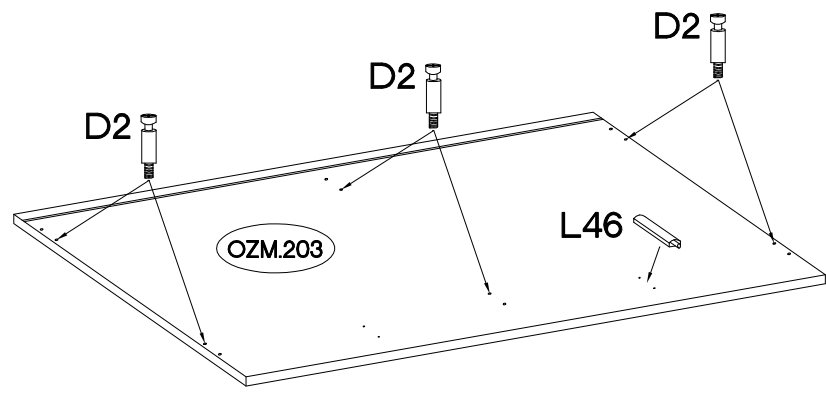
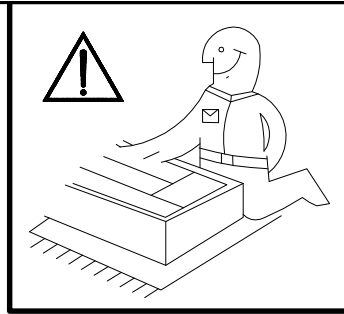
18

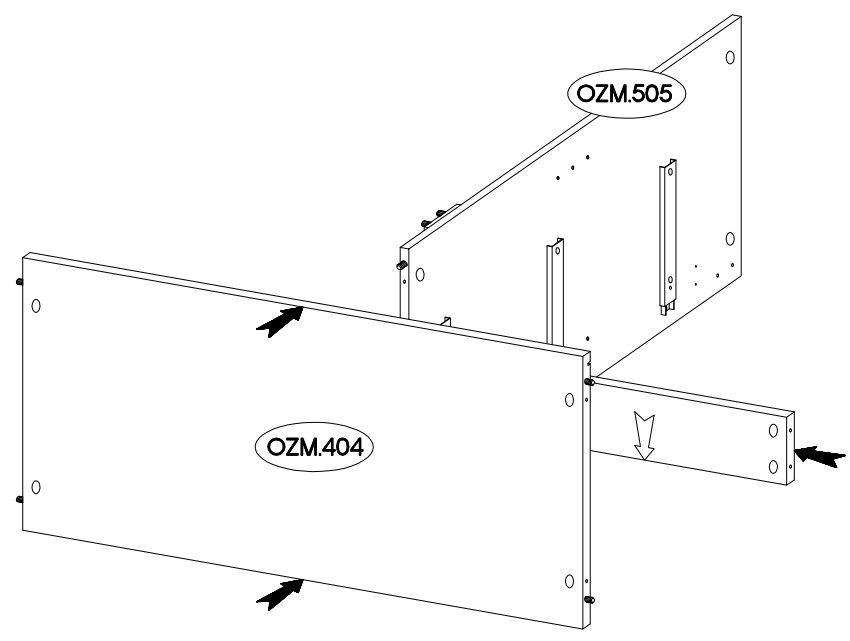
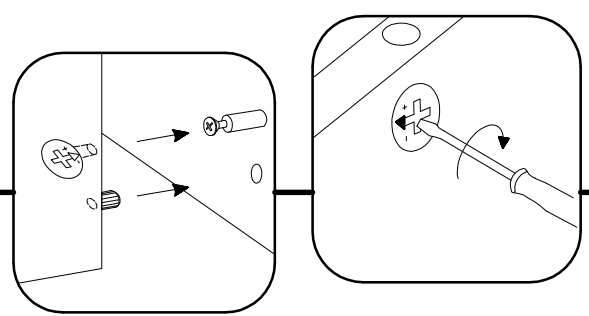
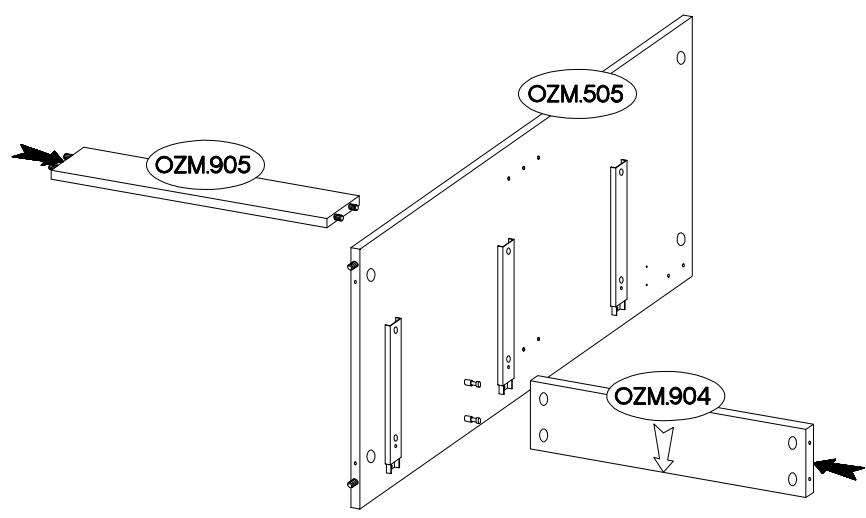
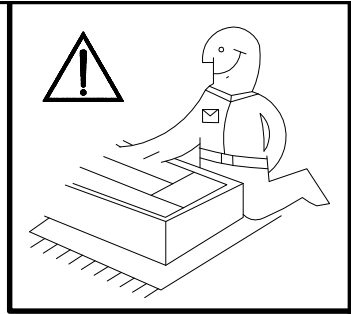


+8x30mm  A 12	+15/12mm  C 12	L=20mm  D2 8	27/310mm  I4 3	+20/16mm  J44 6	+6,3x13mm  M2 6	+6.3x28mm  M8 6	+3.5x13mm  P5 4
 L46 2							

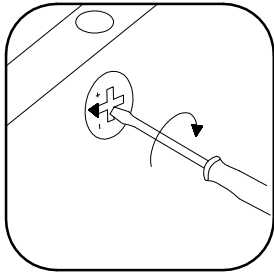
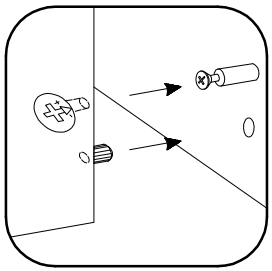
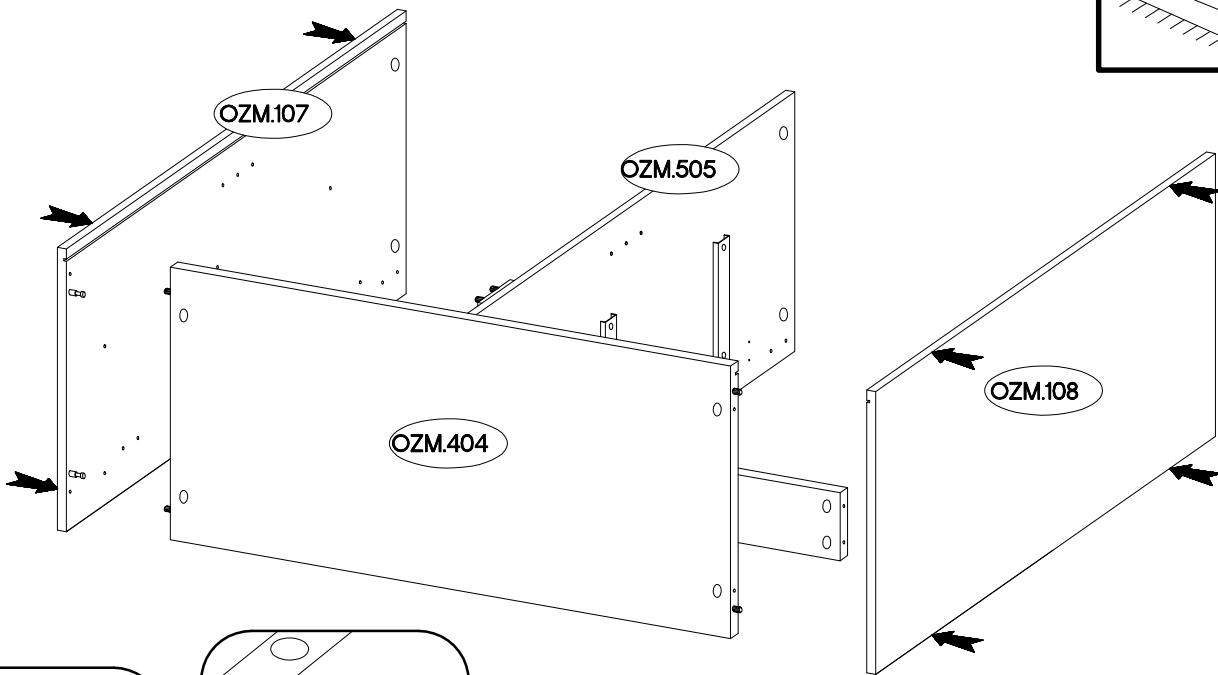
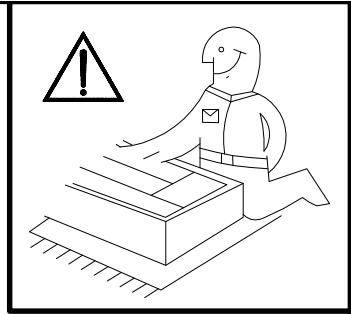


$\varnothing 8 \times 30 \text{mm}$  A	$\varnothing 15/12 \text{mm}$  C	L=20mm  D2	 L46	$\varnothing 3.5 \times 13 \text{mm}$  P5
4	4	8	2	4

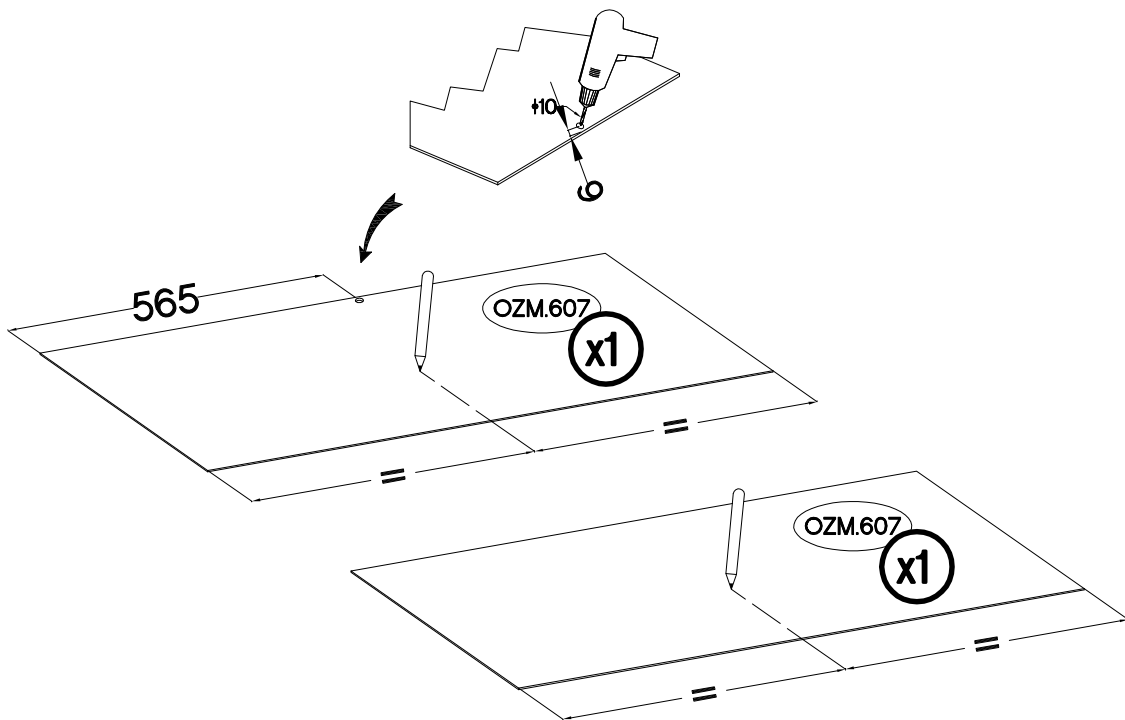



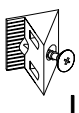
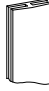


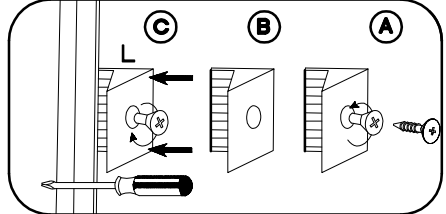
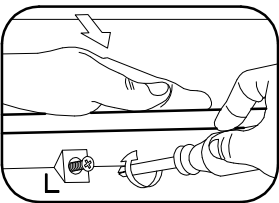
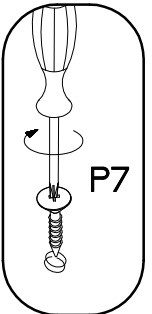
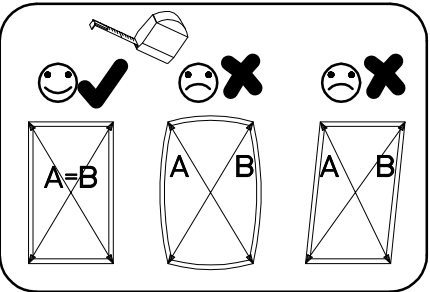
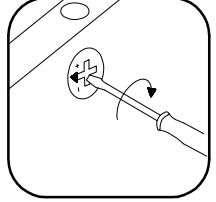
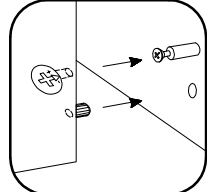
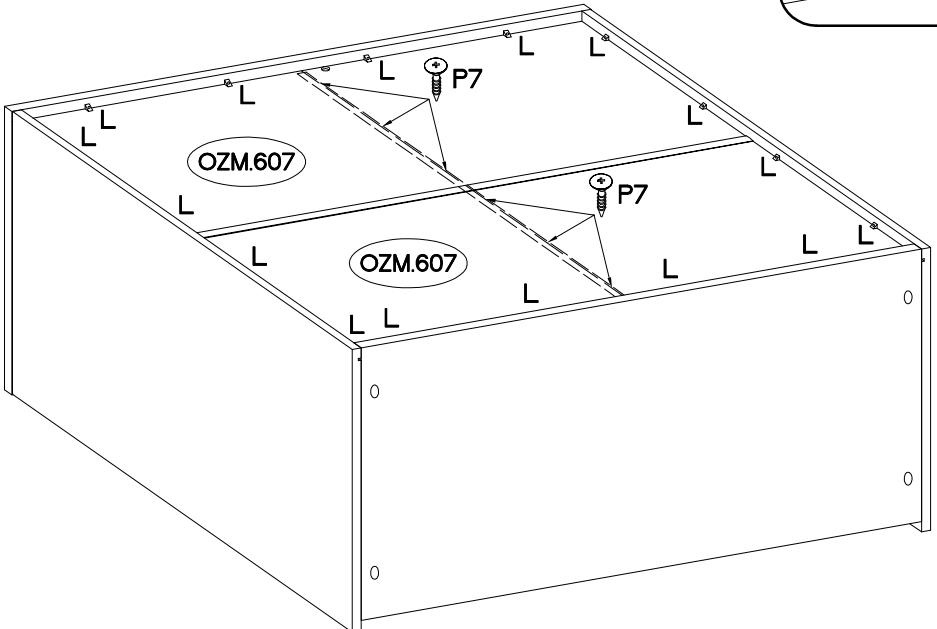
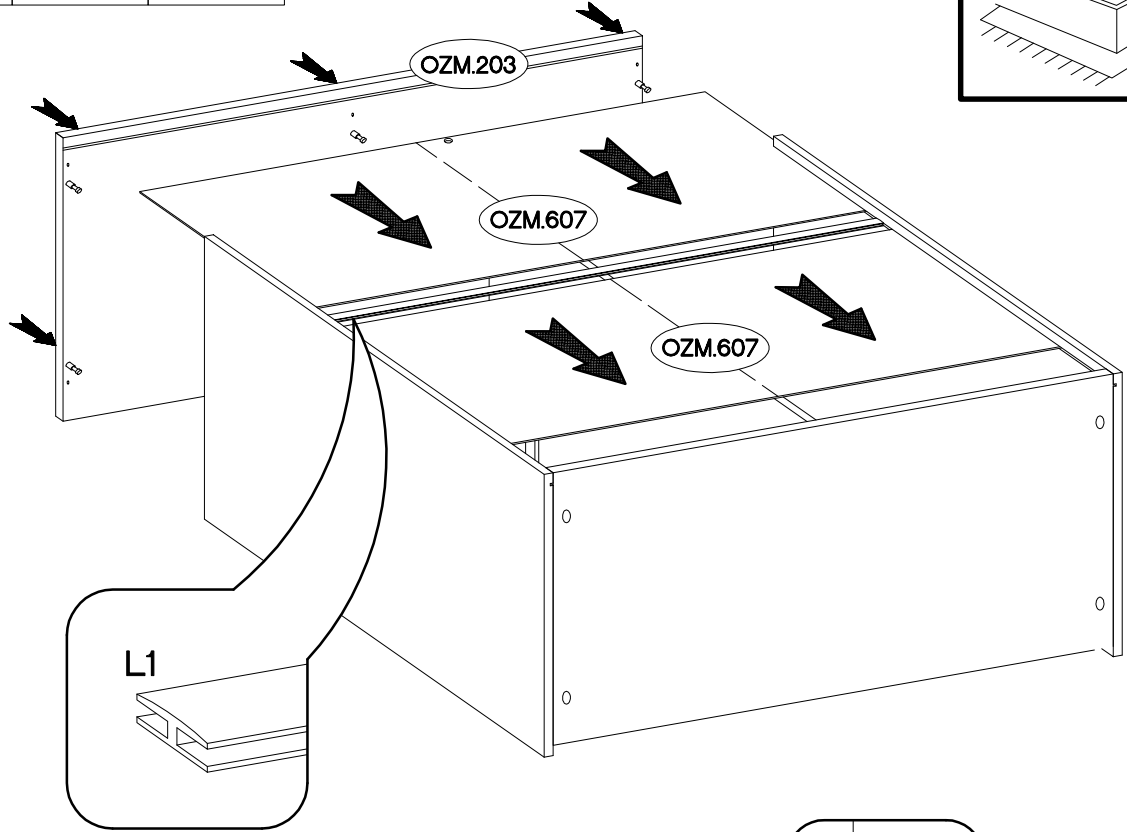
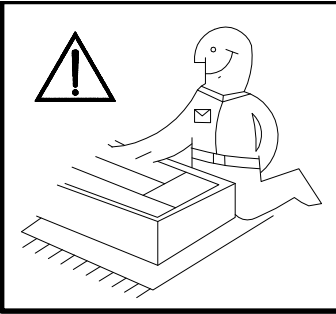
23

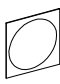
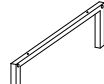
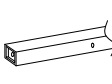





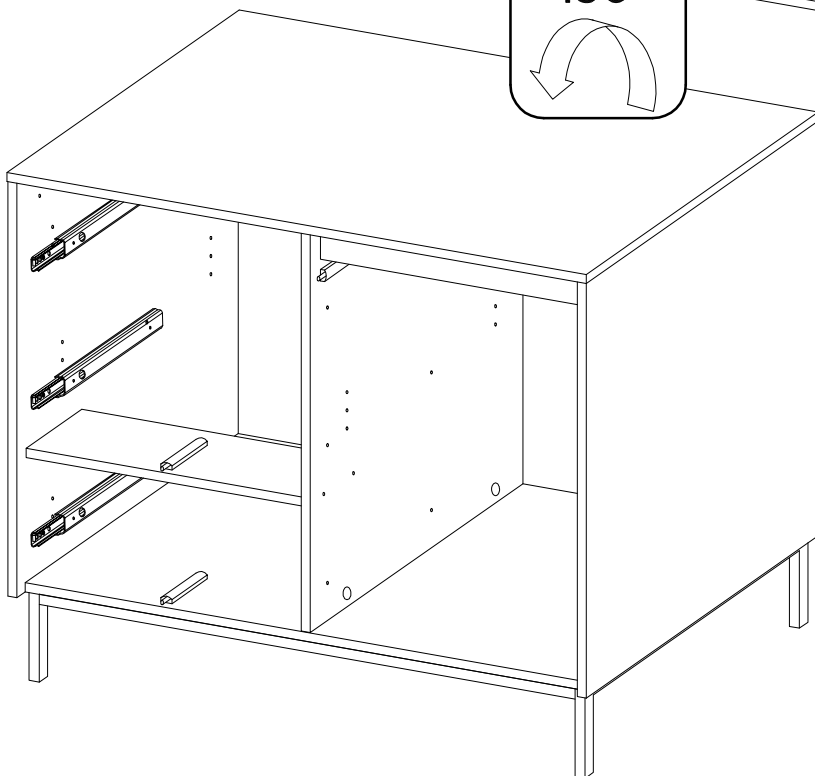
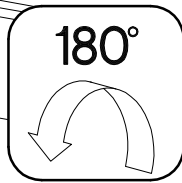
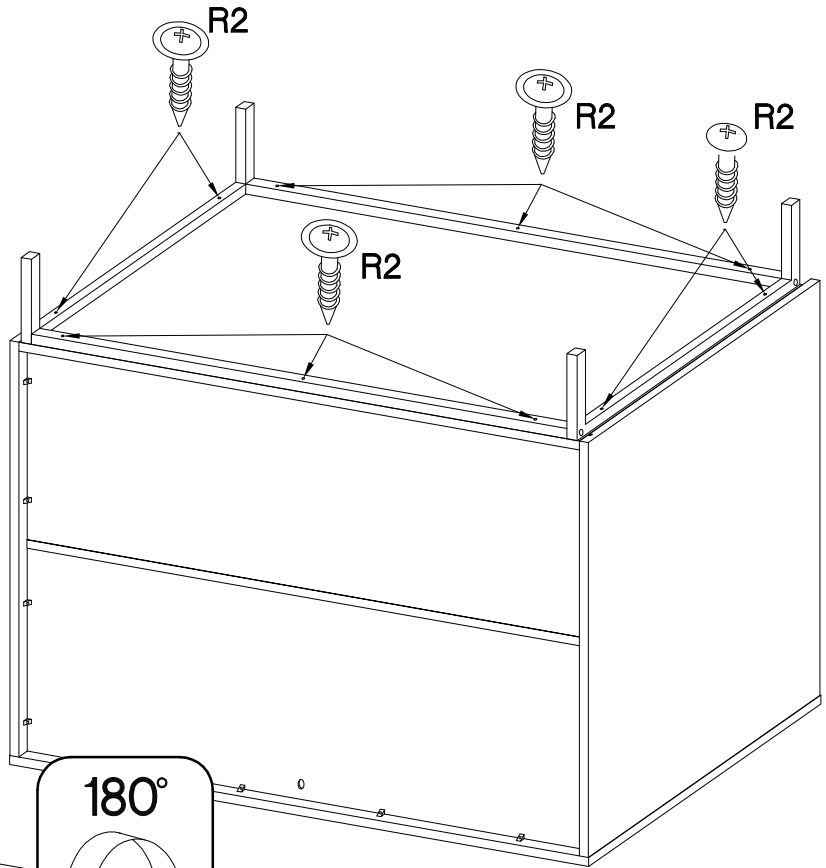
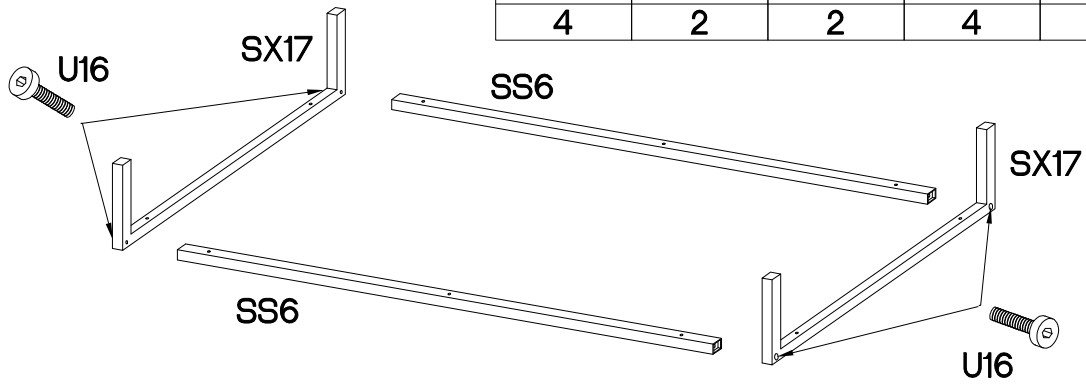
24

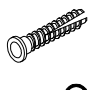




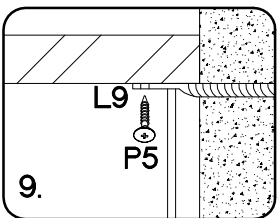
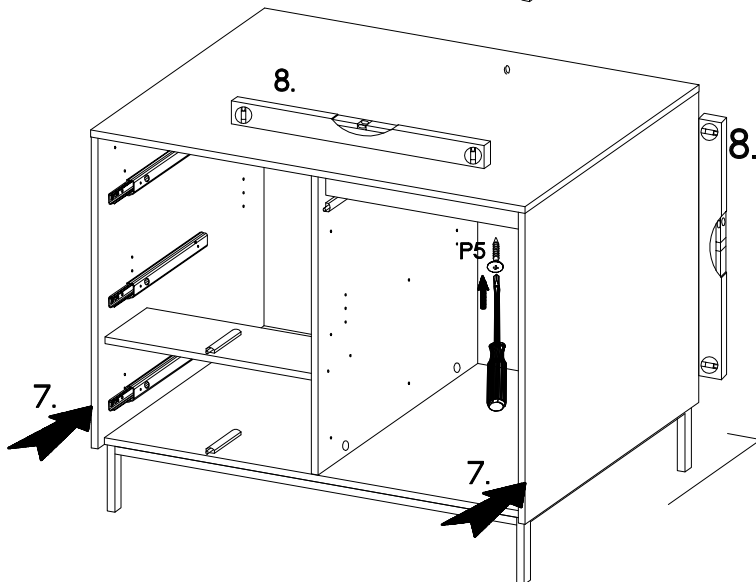
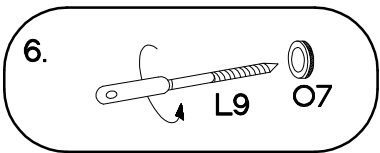
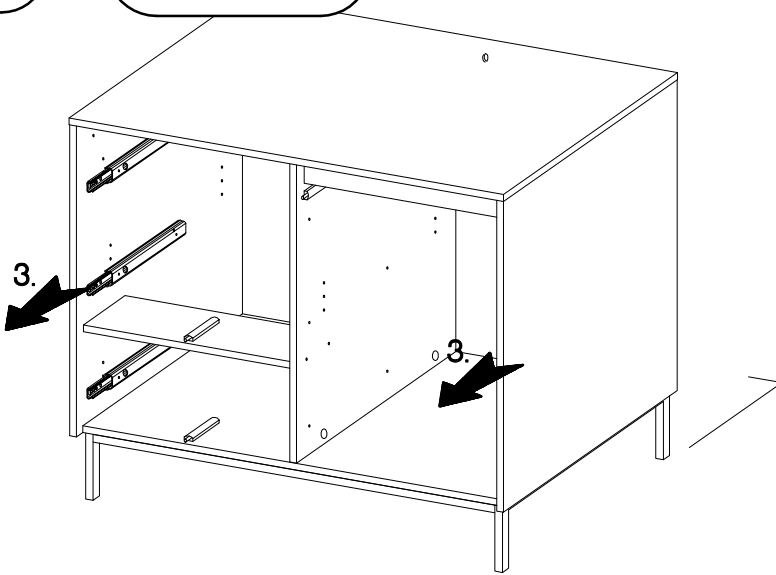
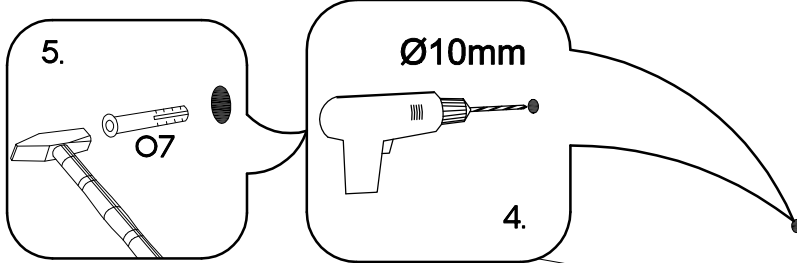
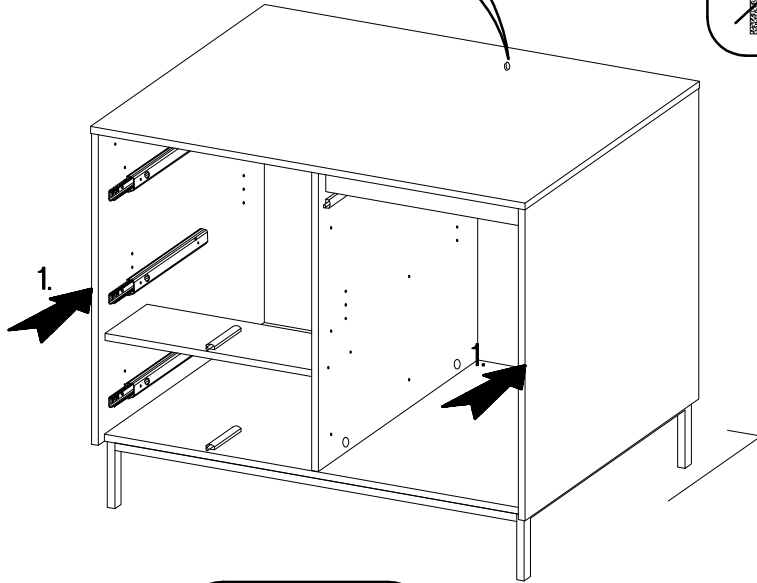
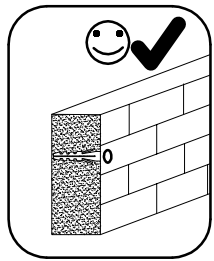
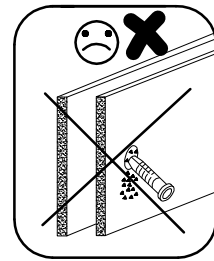
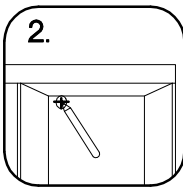
$\pm 3.0 \times 20 \text{mm}$  P7 6	 L 16	L=1002mm  L1 1
--	---	---



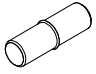
 E13	 SX17	 SS6	 U16	 R2	 O
4	2	2	4	10	1

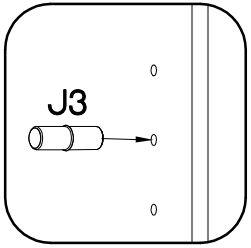
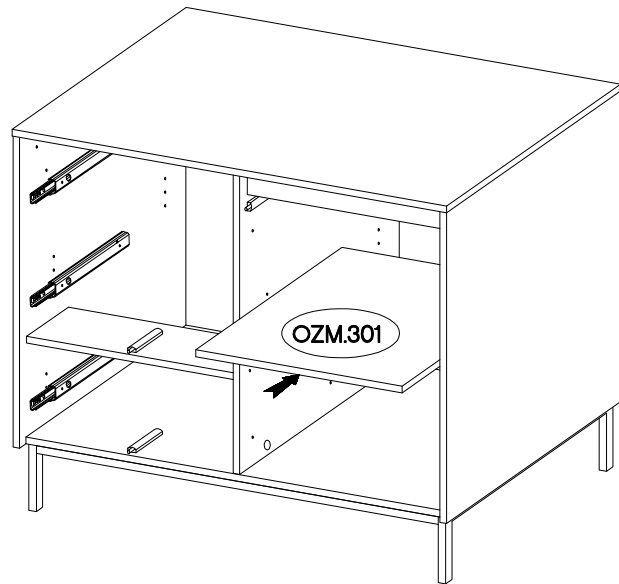


$\varnothing 10 \times 50 \text{mm}$  O7 1	$\varnothing 3.5 \times 13 \text{mm}$  L9 1	$\varnothing 3.5 \times 13 \text{mm}$  P5 1
--	---	---





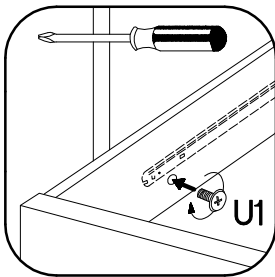
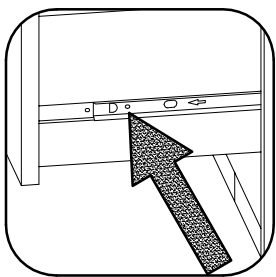
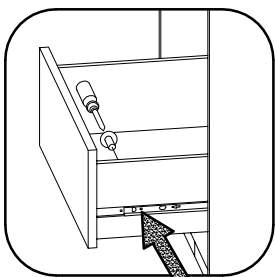
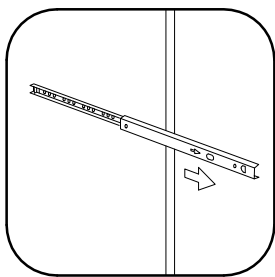
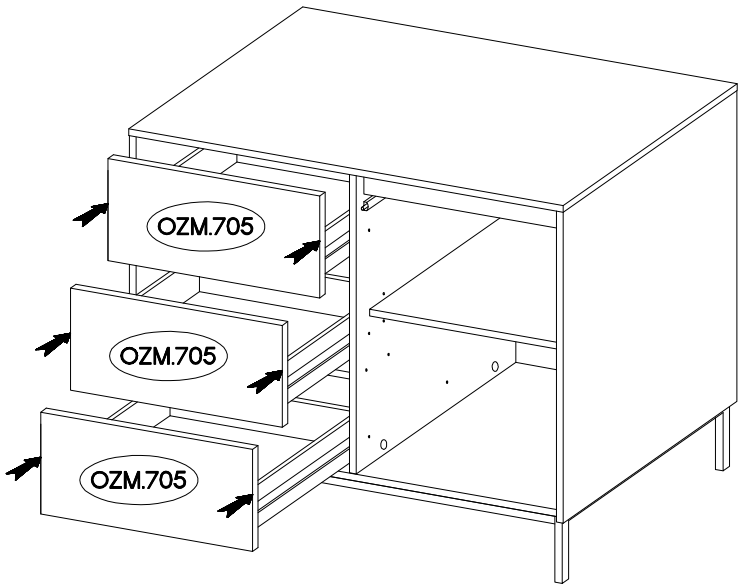
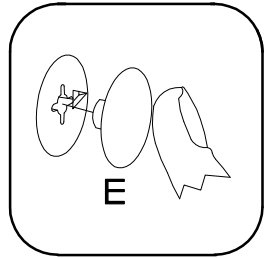
28

±5/16mm

J3
4





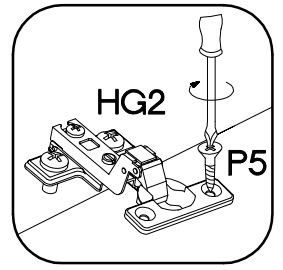
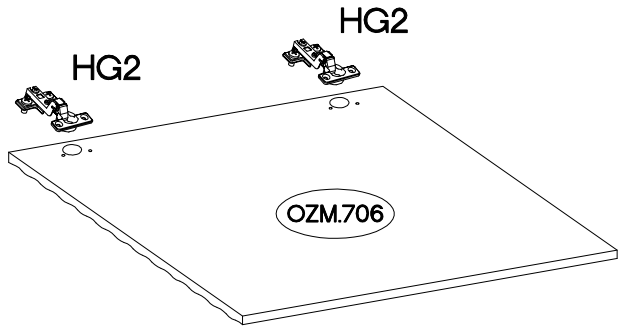
29

M4x9mm		
	U1	E
6		6



30

 $\pm 35/16\text{mm}$	 $\pm 3.5 \times 13\text{mm}$
HG2	P5
2	4



31

