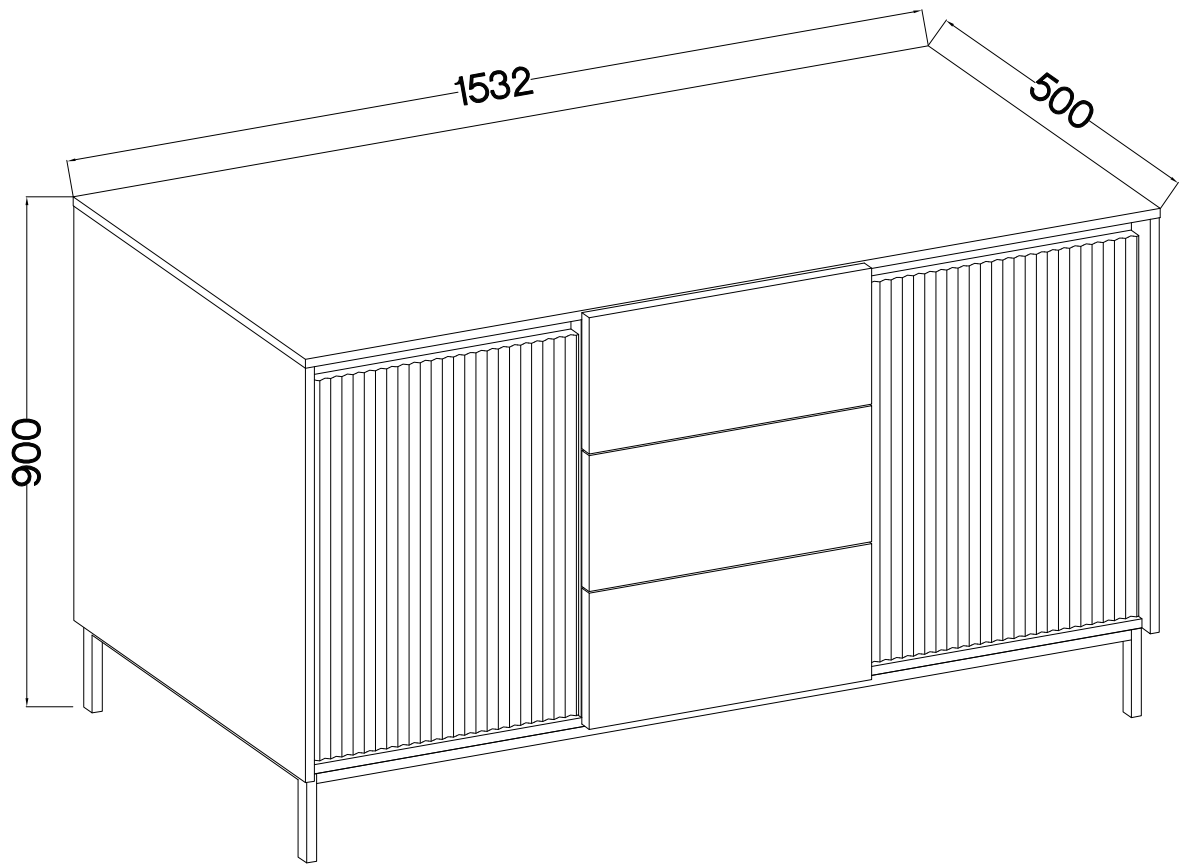
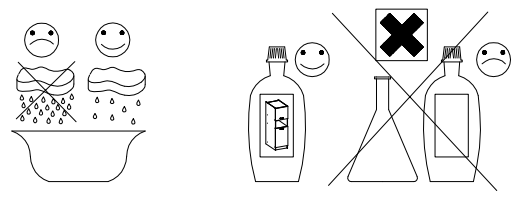


TYP 803

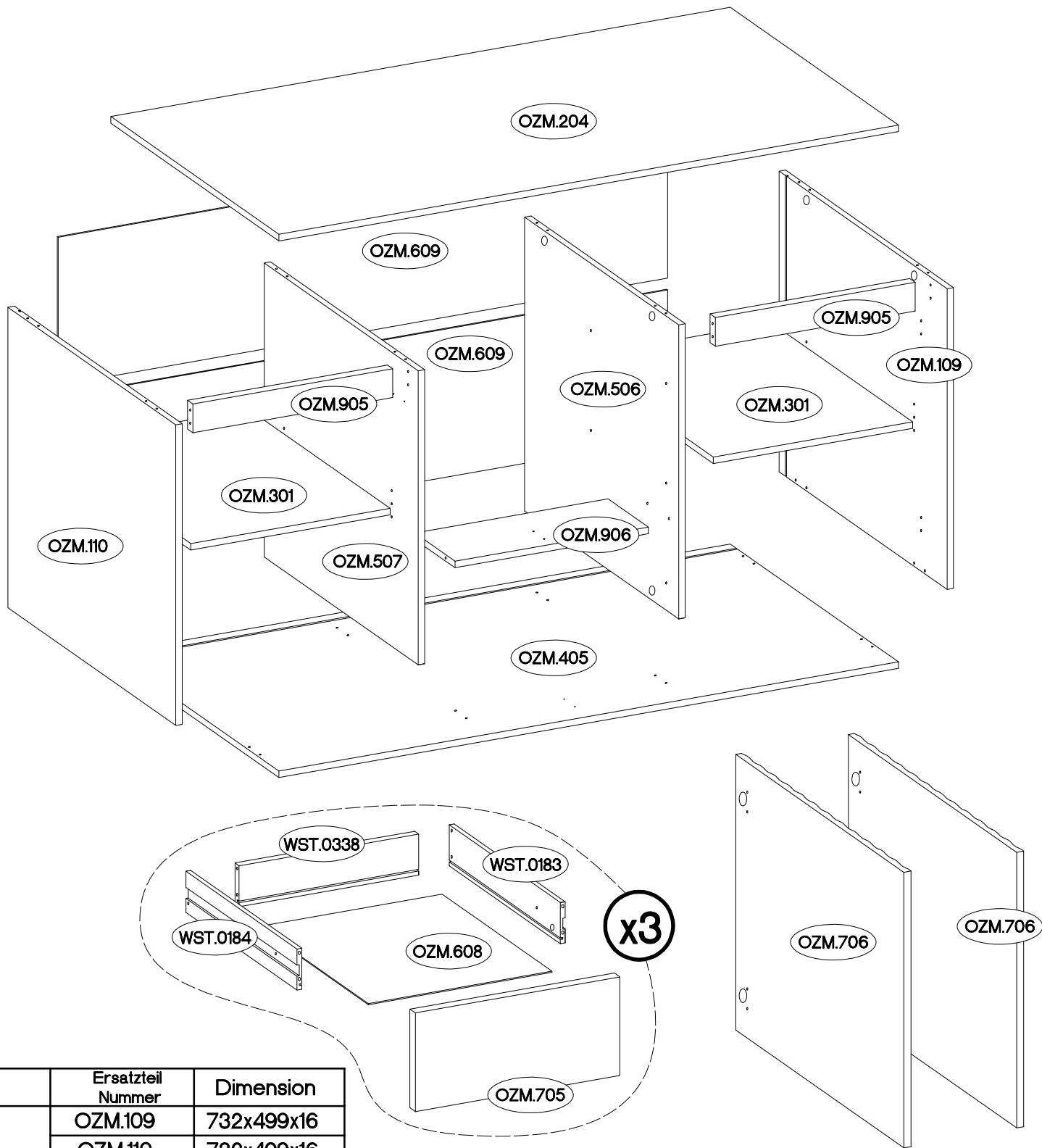


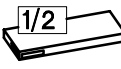
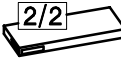
†14		48x15cm	L=146cm	†4.0x30mm	M5,8x30mm
E13	O	SX17	SS7	R2	U16
4	1	2	2	12	4

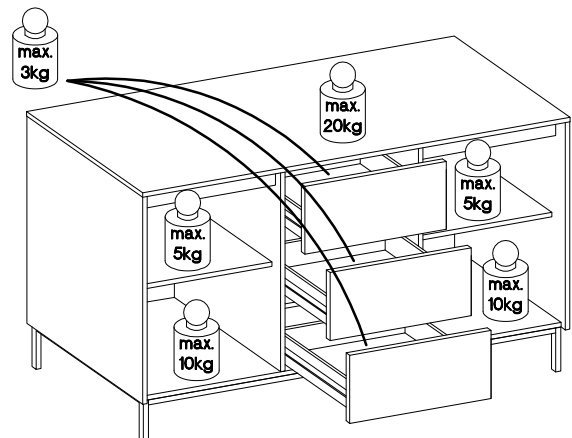
†8x30mm	†6x42mm	†15/12mm	†12/10mm	L=20mm		†35/16mm	27/310mm
A	B2	C	C5	D2	E	HG2	I4
36	6	20	6	26	4	4	3

†5/16mm		L=1496mm		†10x50mm	†6,3x13mm	†3.5x13mm	†3.0x20mm	M4x9mm
J3	L	L1	L9	L46	O7	M2	P5	P7
8	24	1	1	5	1	12	19	12
								U1
								6


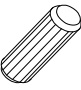
ISM-OZM-005

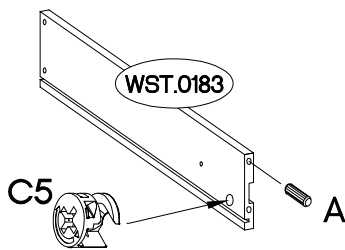
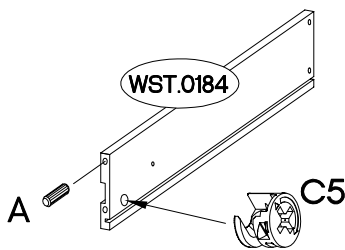
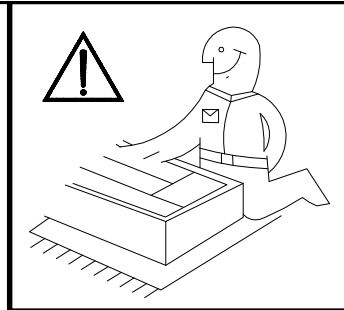
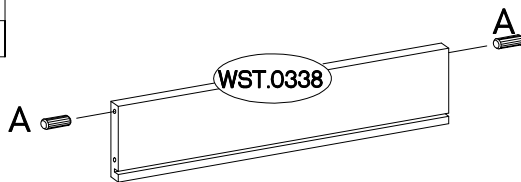


	Ersatzteil Nummer	Dimension
	OZM.109	732x499x16
	OZM.110	732x499x16
	OZM.506	716x458x16
	OZM.507	716x458x16
	OZM.705 x3	240x506x16
	OZM.706 x2	671x490x18
	OZM.204	1532x500x16
	OZM.405	1498x481x16
	OZM.906	478x120x16
	OZM.905 x2	494x70x16
	OZM.301 x2	493x420x16
	OZM.609 x2	1507x361x2,5
	OZM.608 x3	455x327x2,5
	WST.0183 x3	330x100x12
	WST.0184 x3	330x100x12
	WST.0338 x3	444x100x12

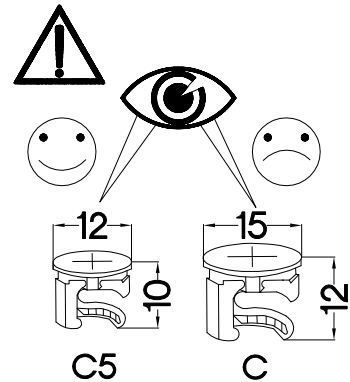


1

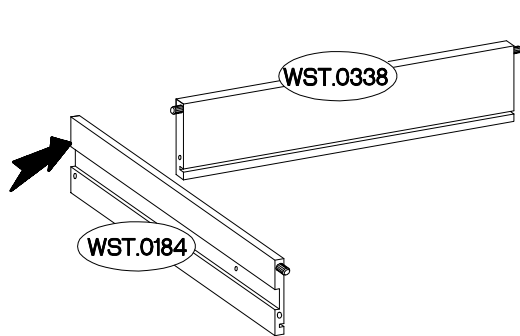
±12/10mm  C5 6	±8x30mm  A 12
---	--




x3

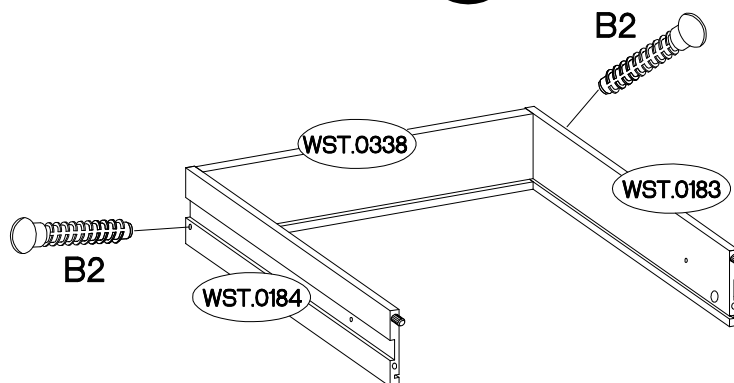
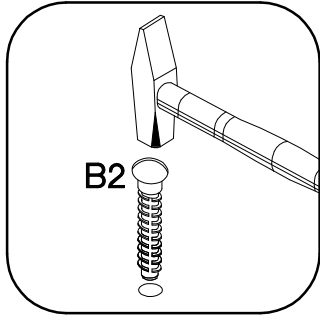


2




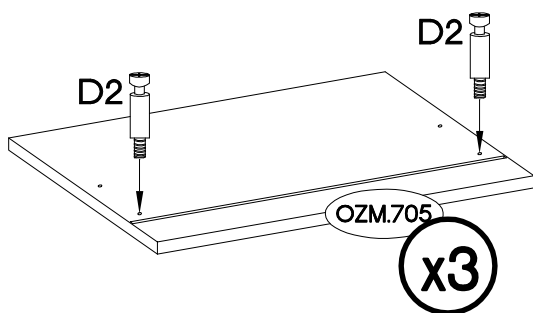
±6x42mm  B2 6

x3

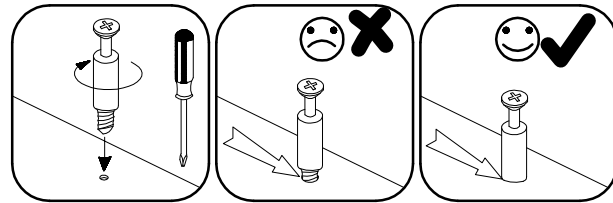


3

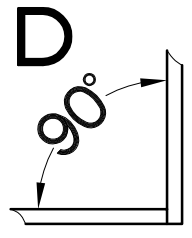
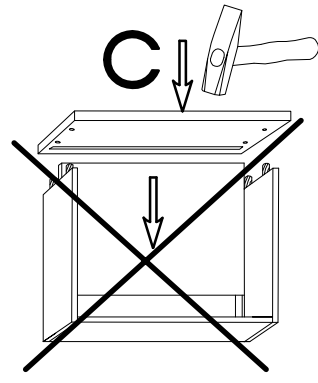
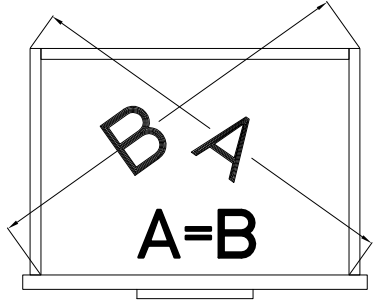
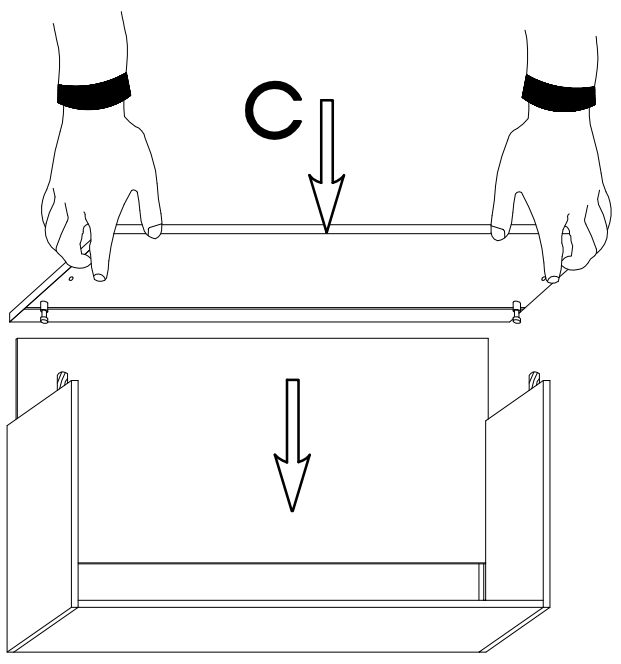
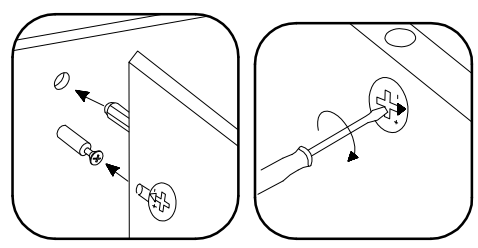
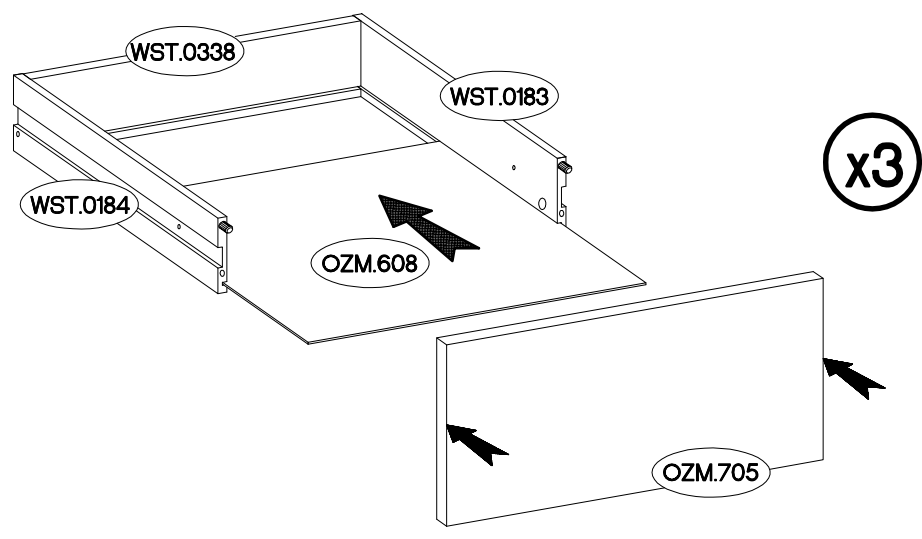
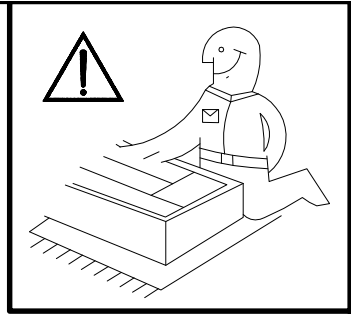
L=20mm  D2 6
--



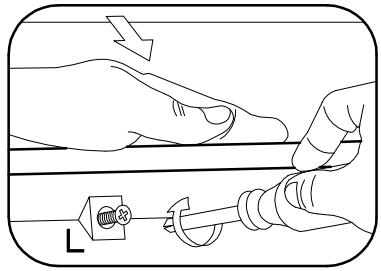
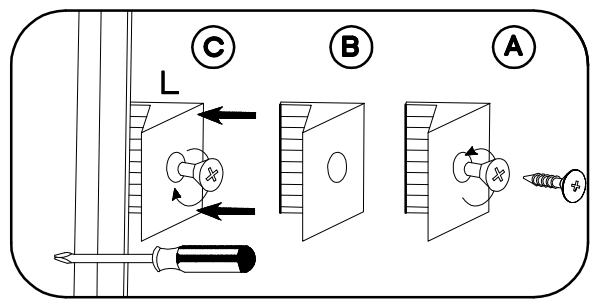
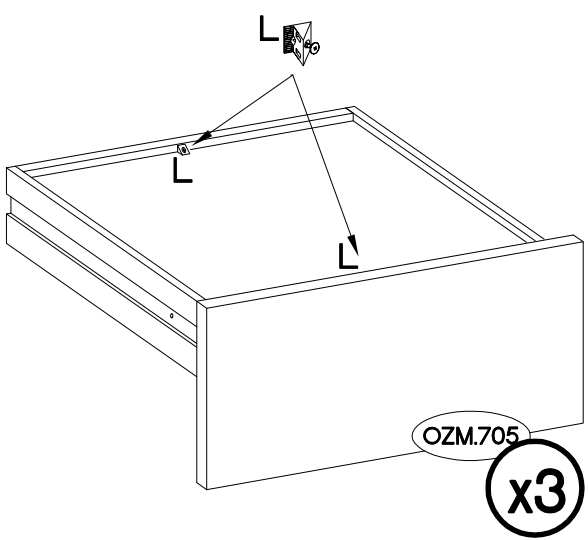
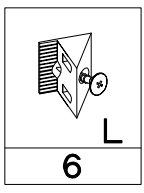
x3

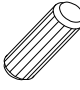


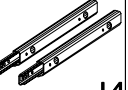

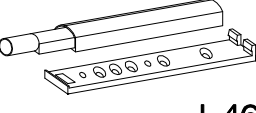



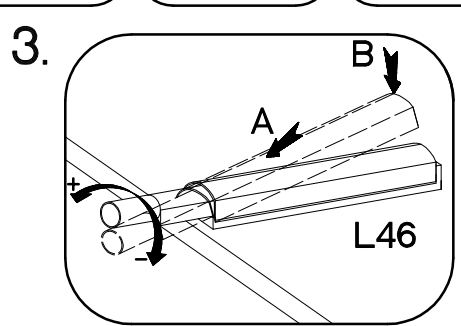
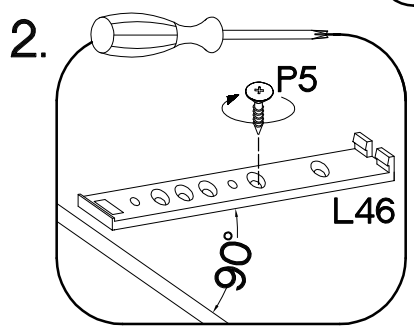
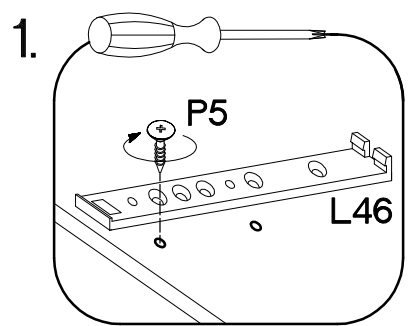
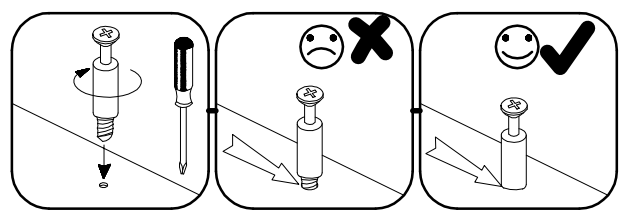
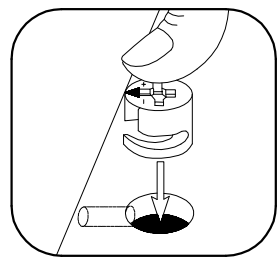
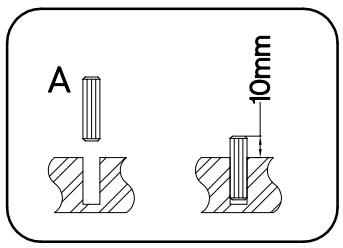
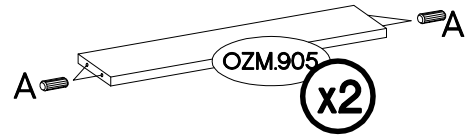
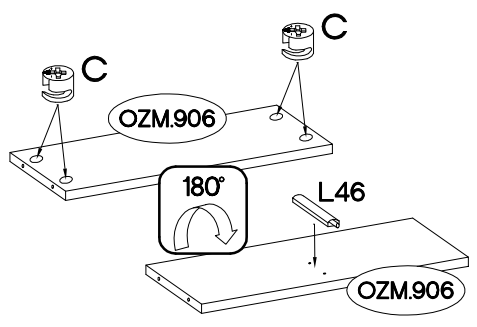
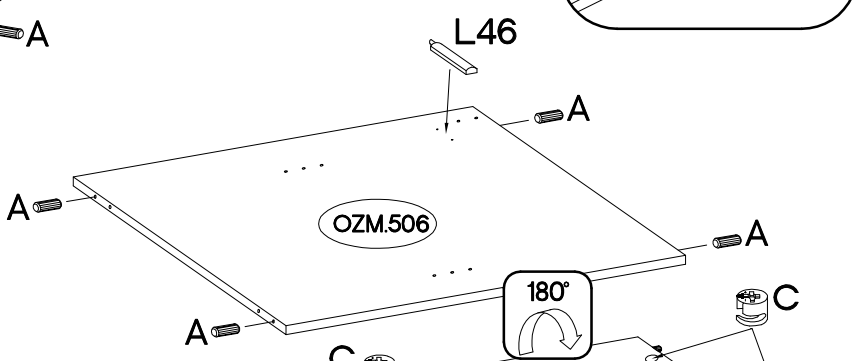
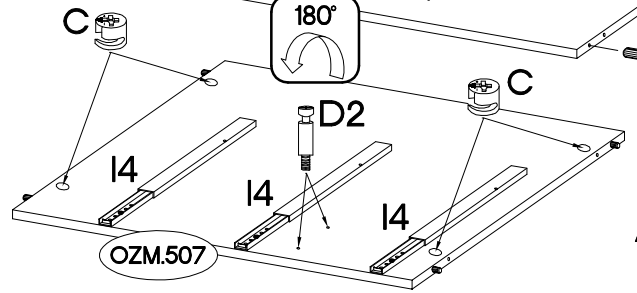
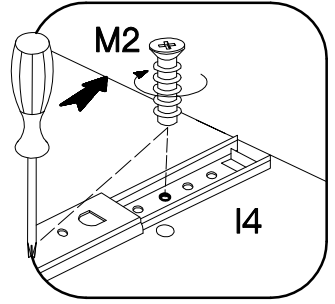
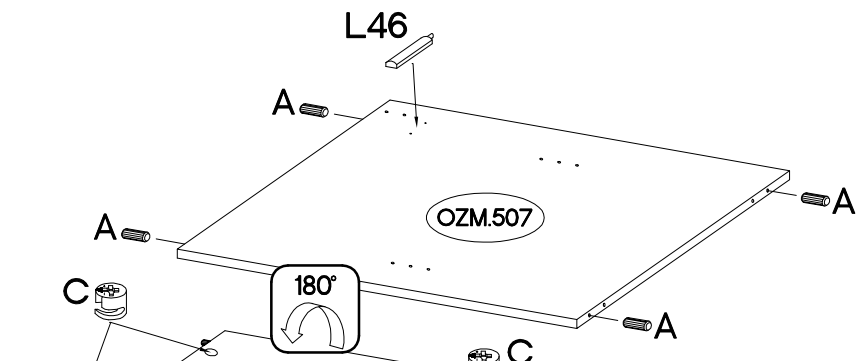
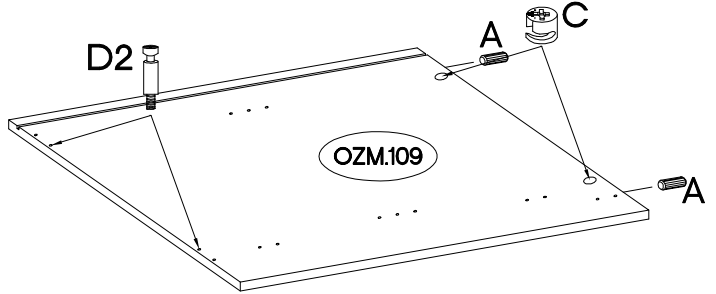
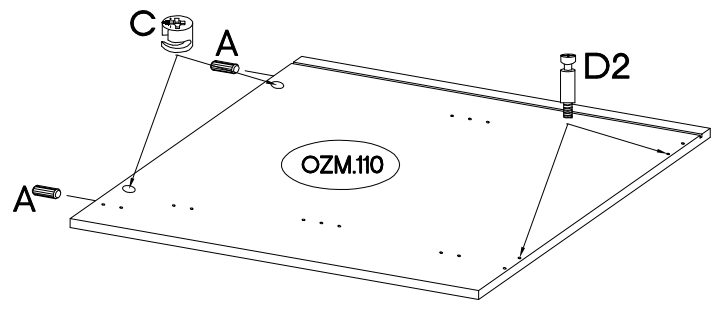
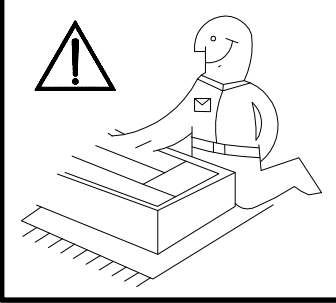
4

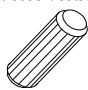


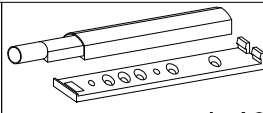



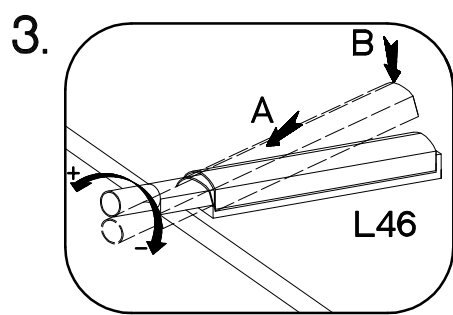
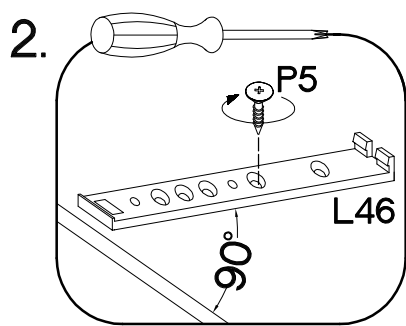
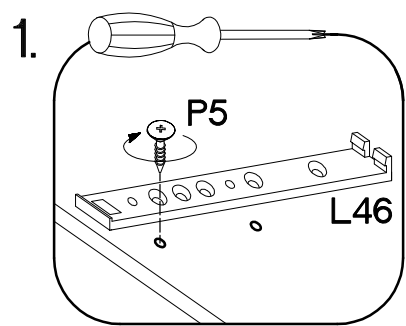
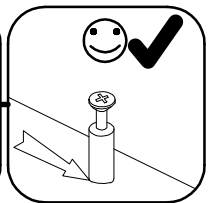
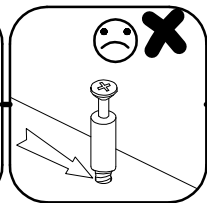
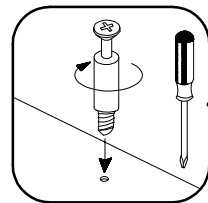
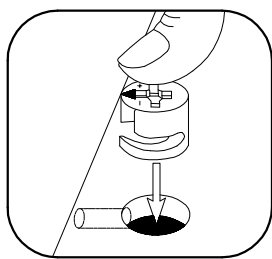
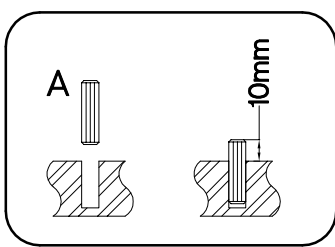
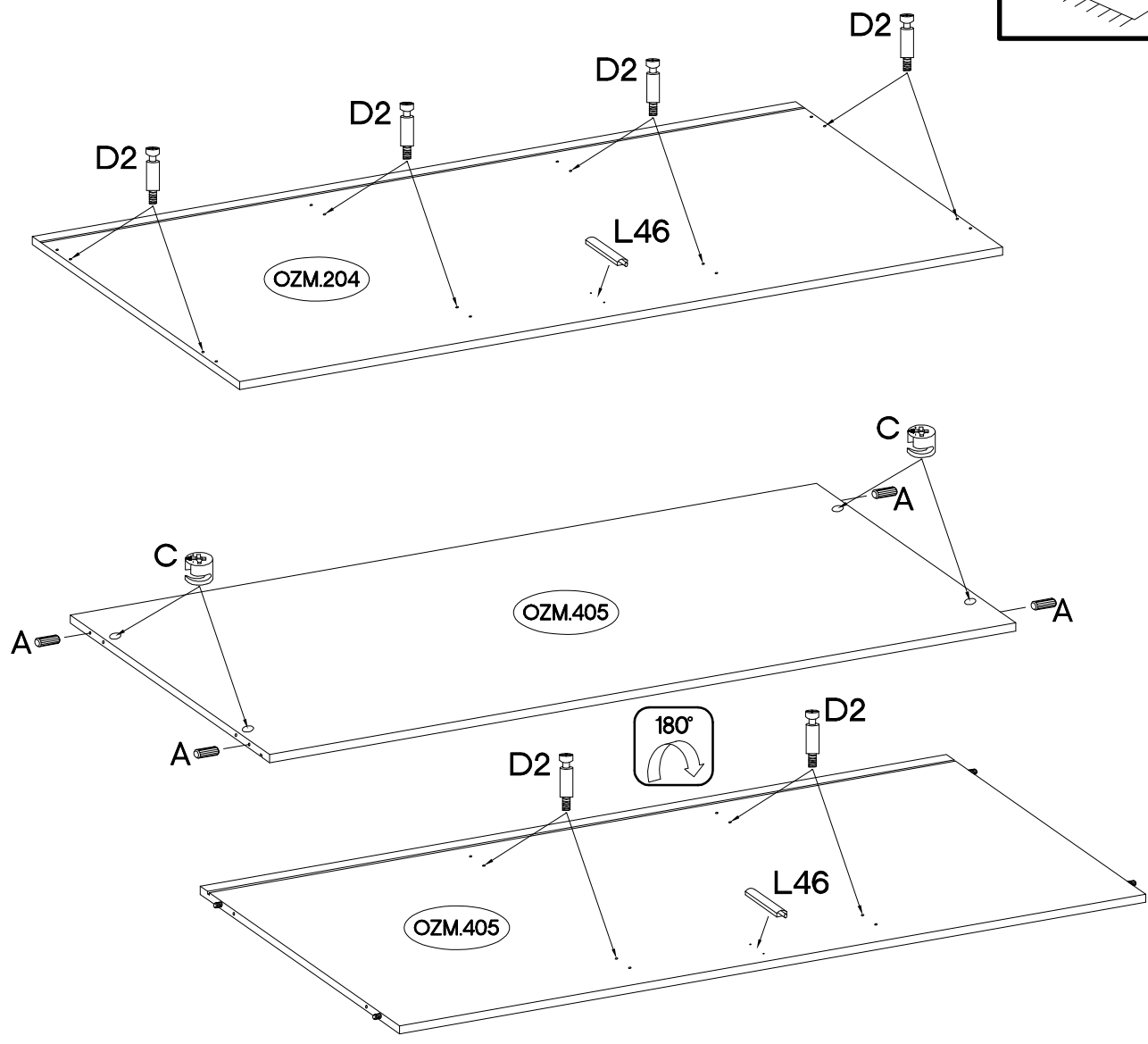
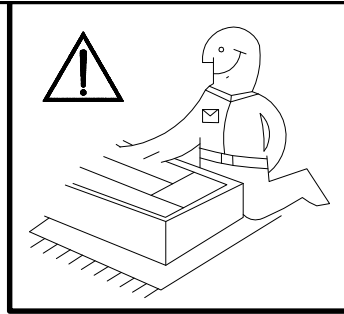
5



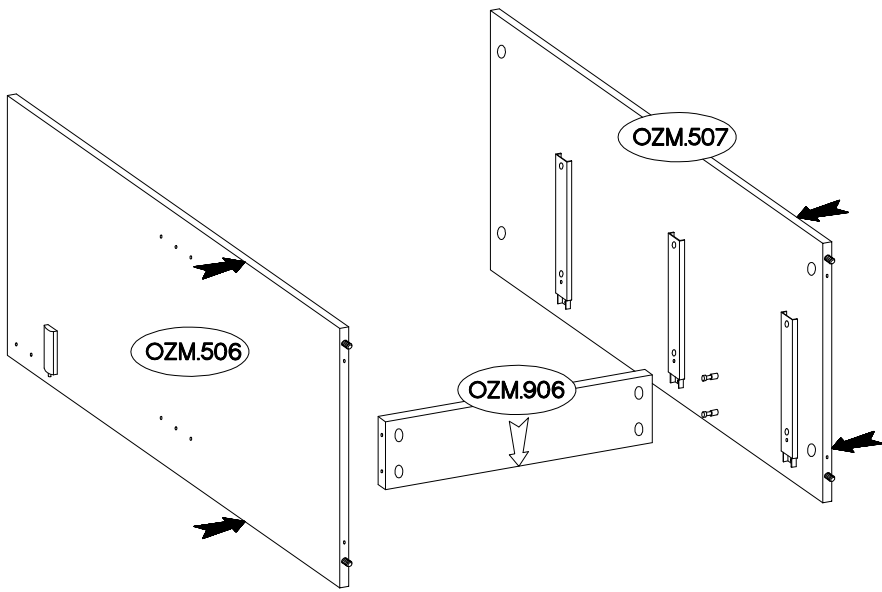
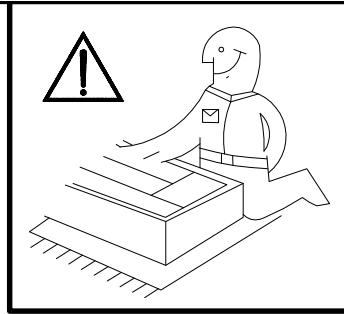
$\pm 8 \times 30 \text{mm}$  A 20	$\pm 15/12 \text{mm}$  C 16	L=20mm  D2 8	27/310mm  I4 3	$\pm 6,3 \times 13 \text{mm}$  M2 12	 L46 3	$\pm 3.5 \times 13 \text{mm}$  P5 6
--	--	---	---	---	---	--



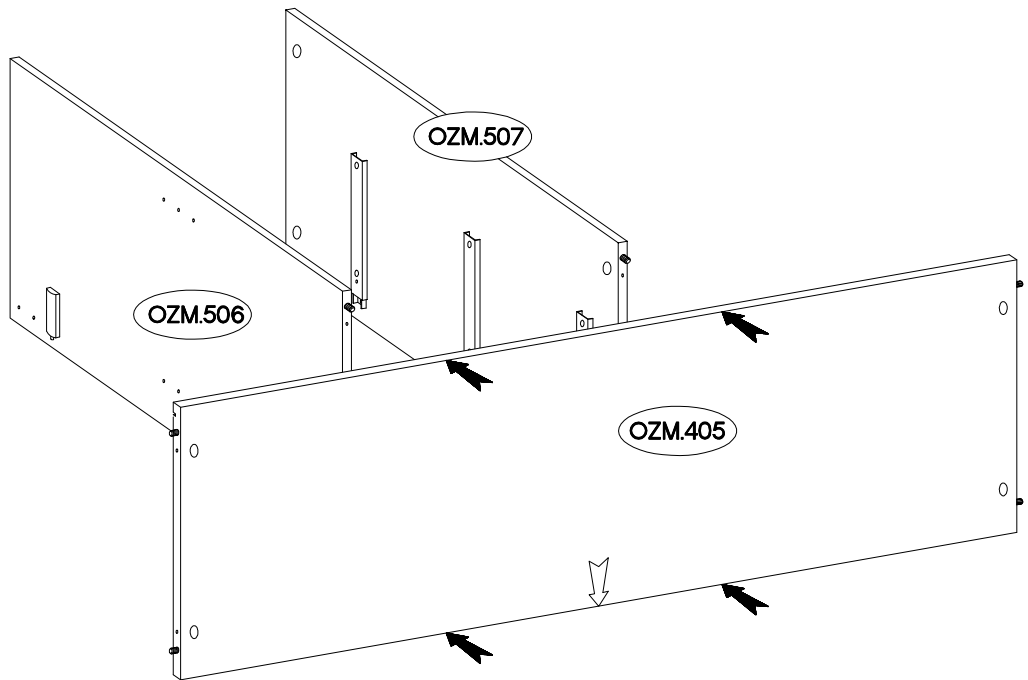
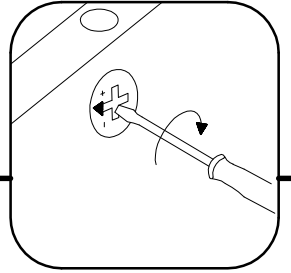
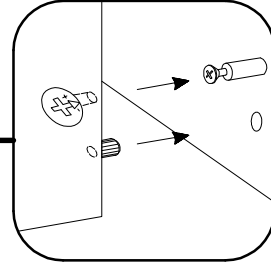
$\varnothing 8 \times 30 \text{mm}$  A	$\varnothing 15/12 \text{mm}$  C	L=20mm  D2	 L46	$\varnothing 3.5 \times 13 \text{mm}$  P5
4	4	12	2	4



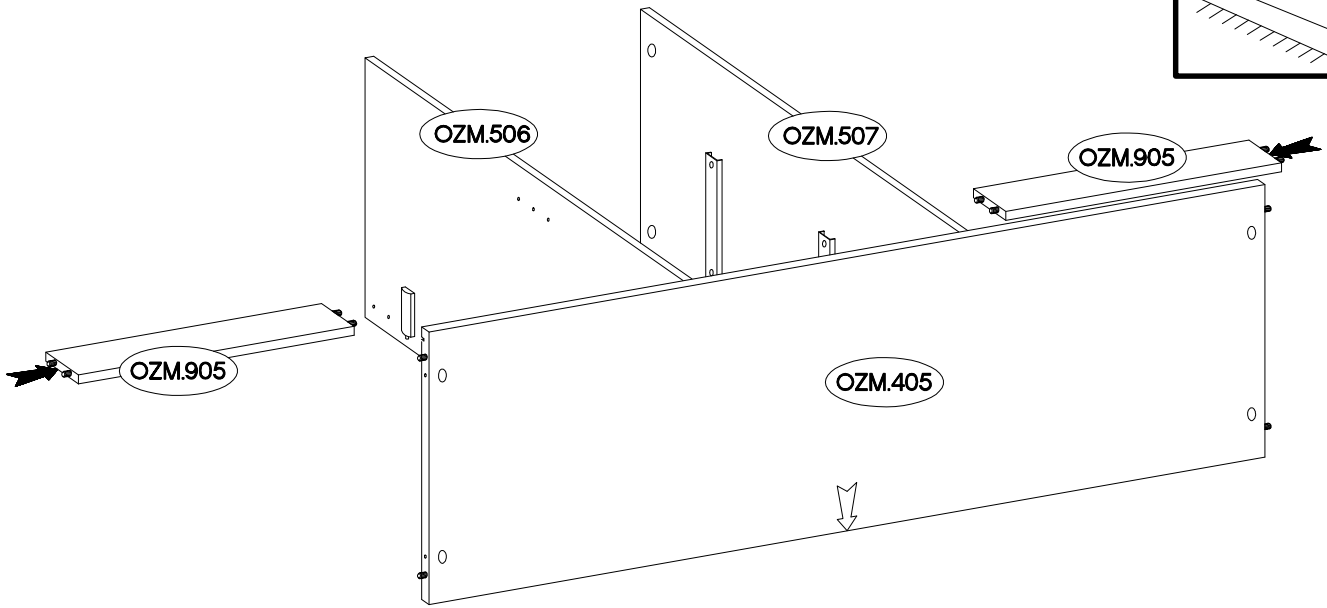
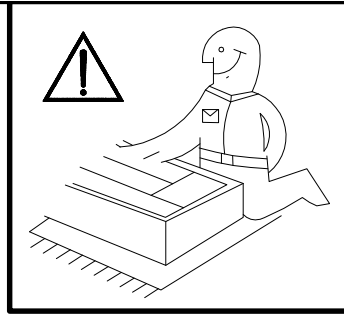
8



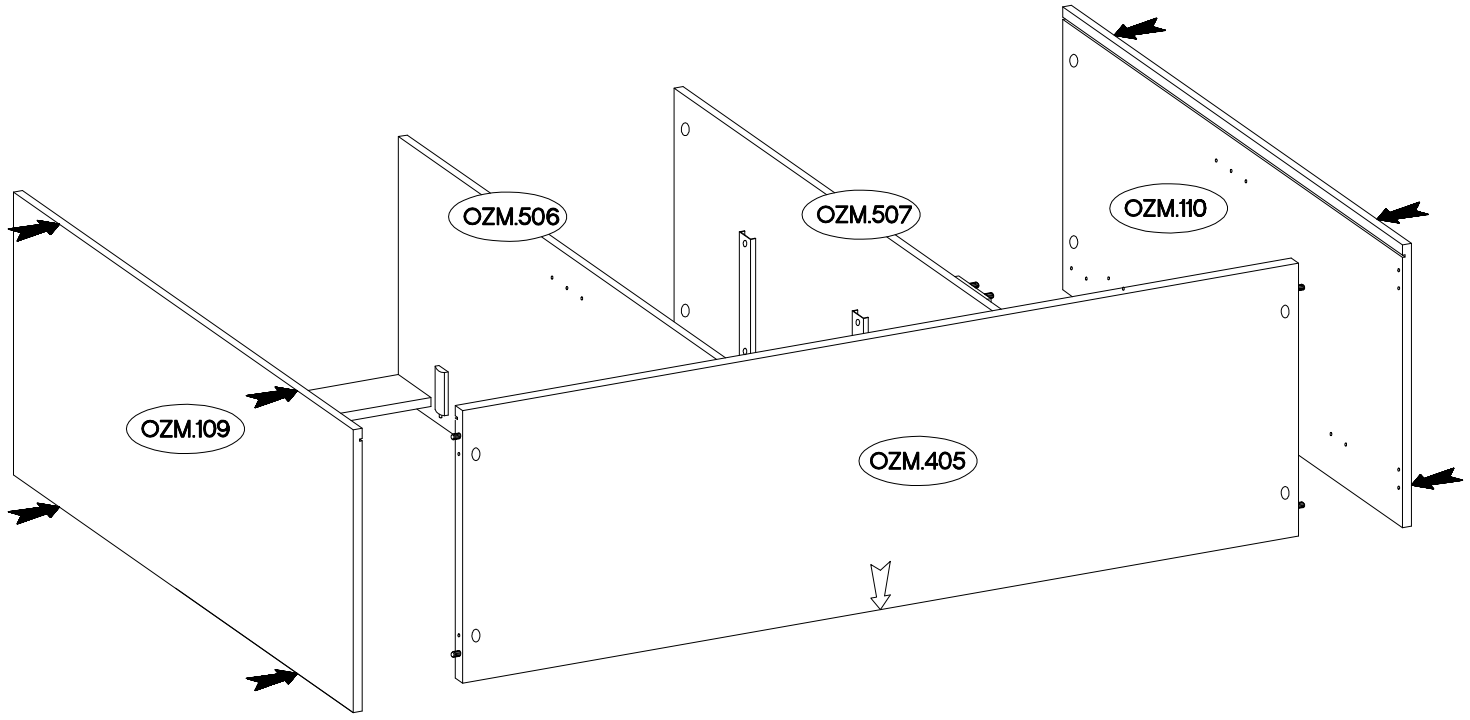
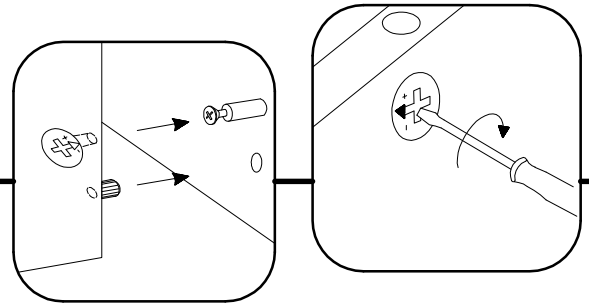
9

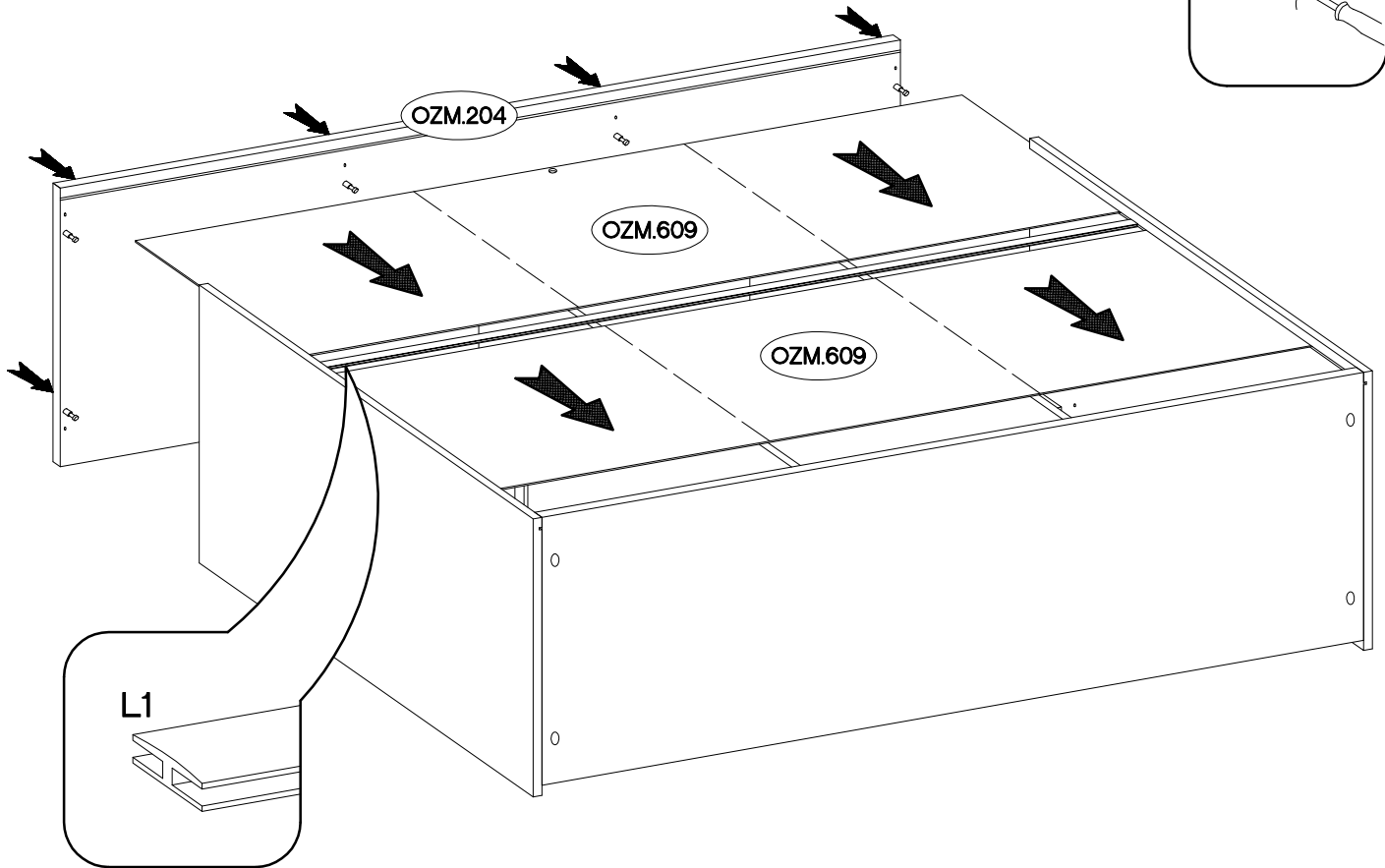
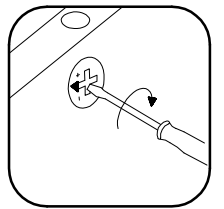
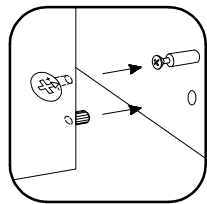
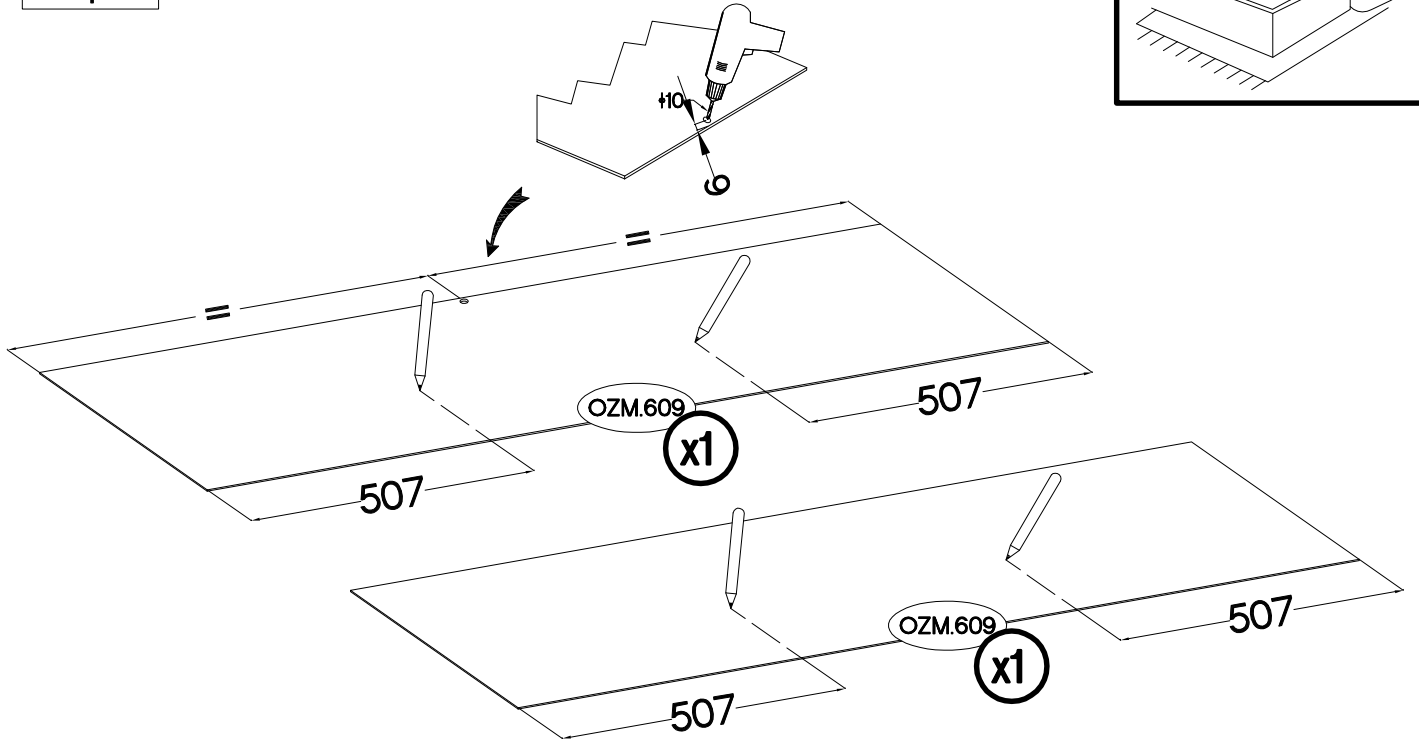
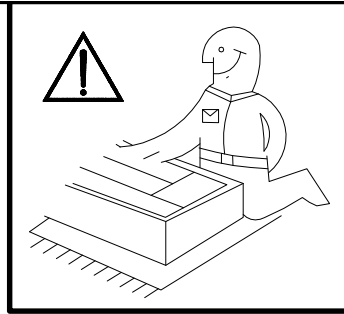
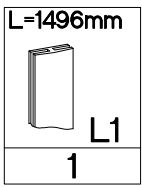


10


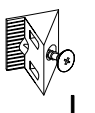


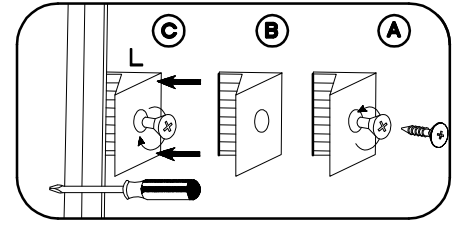
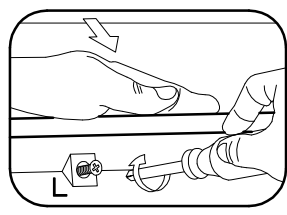
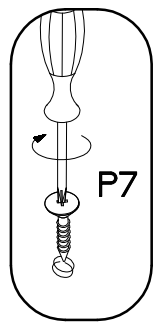
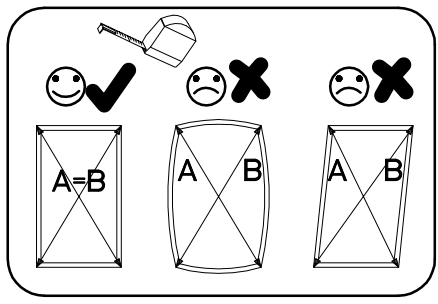
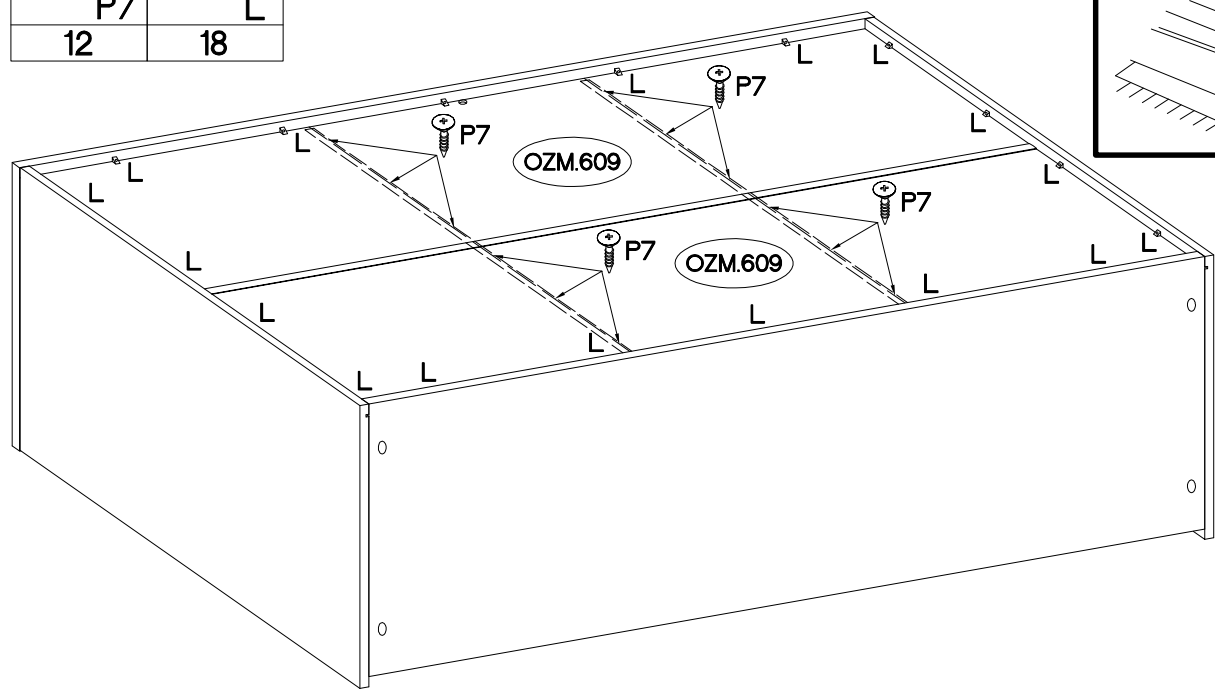
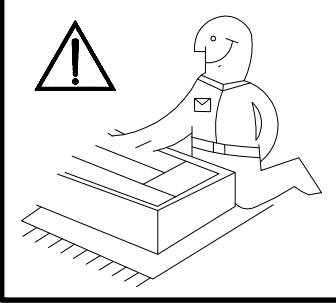
11




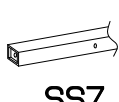






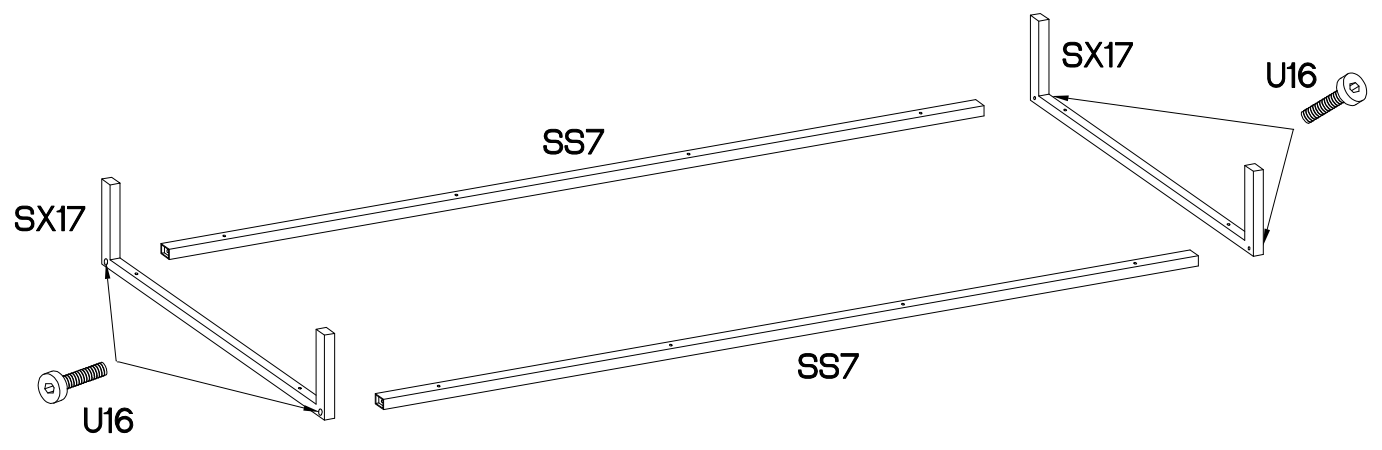
13

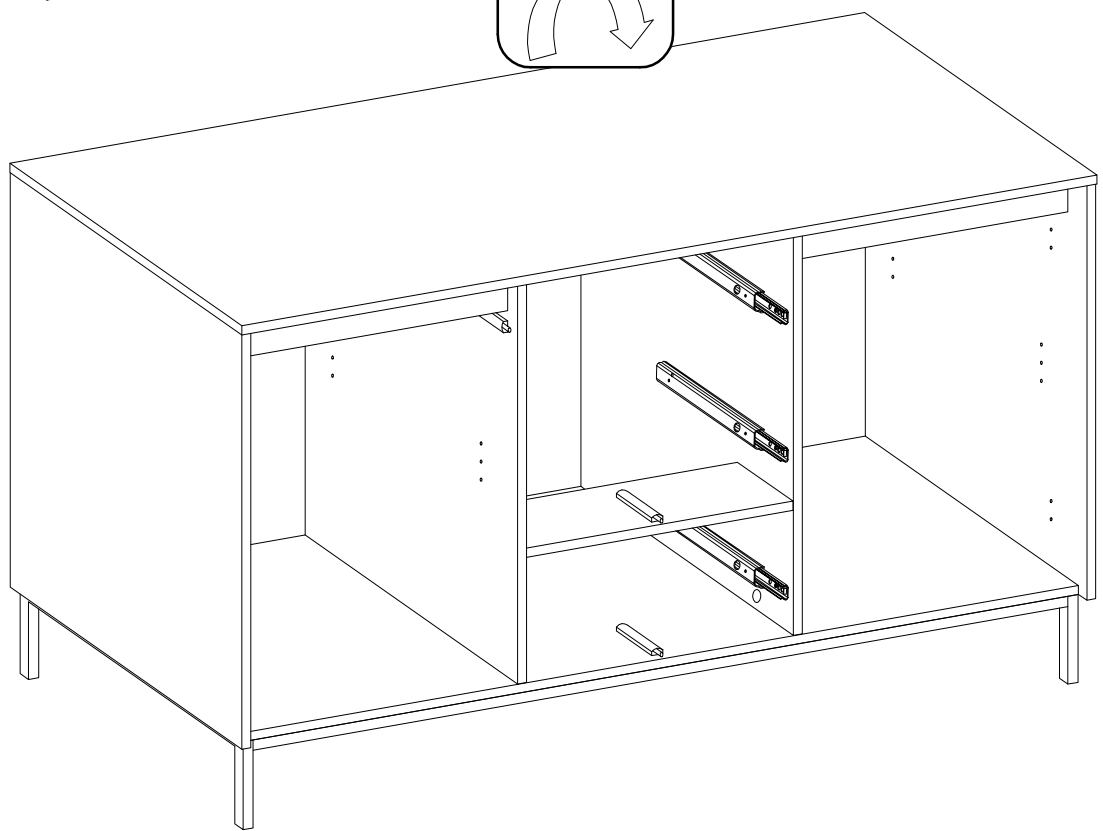
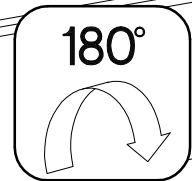
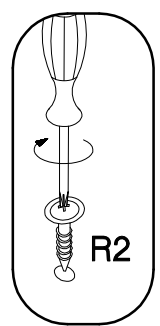
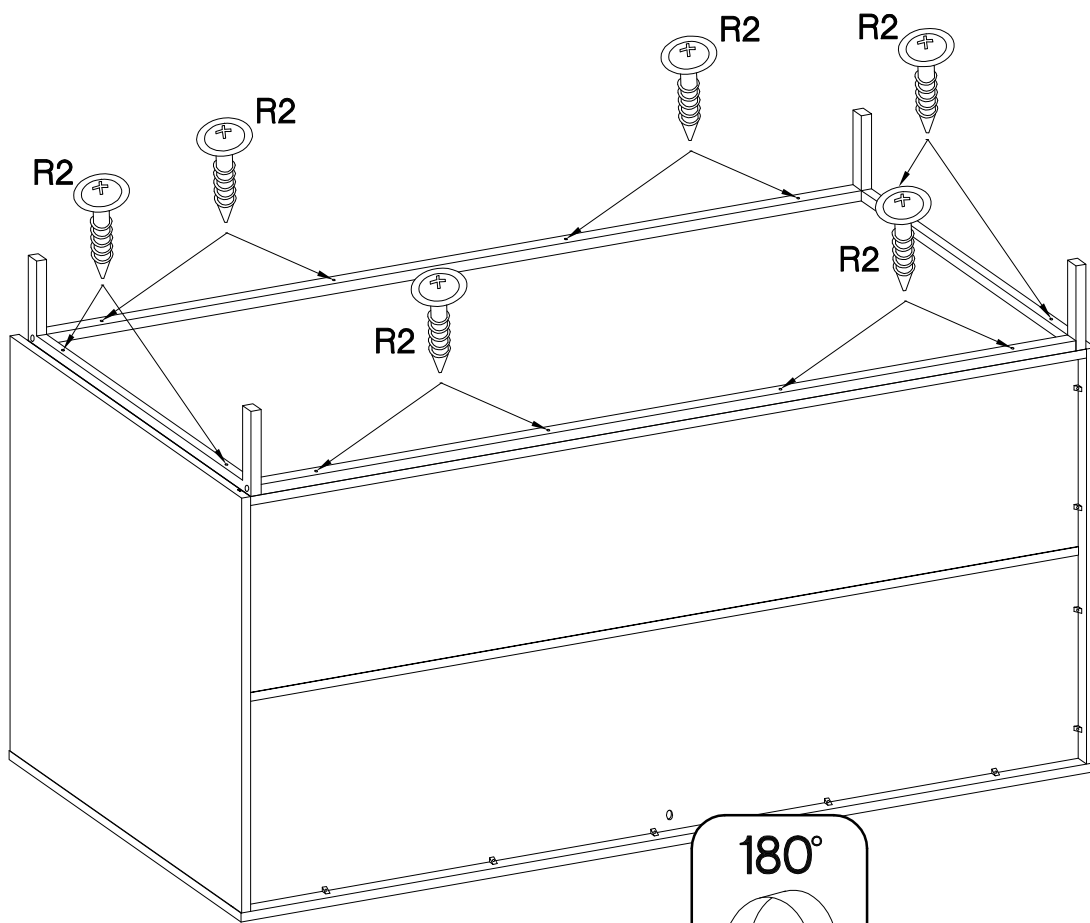
 P7 12	 L 18
---	--






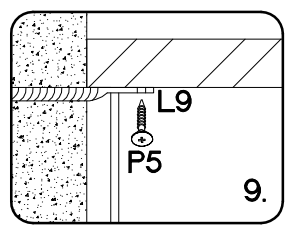
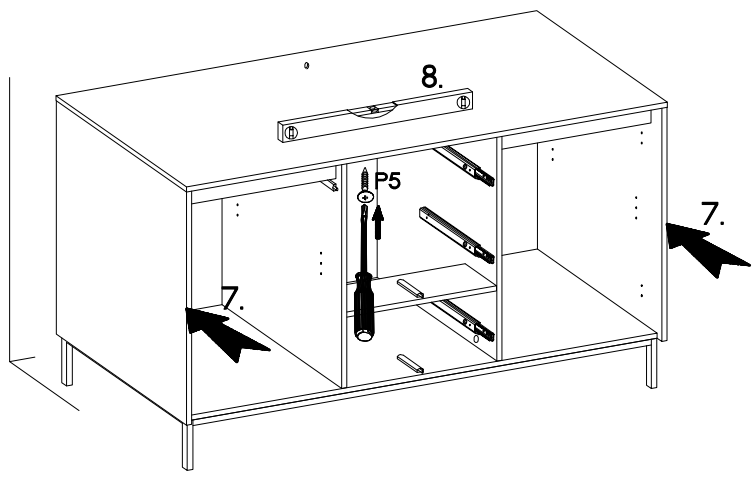
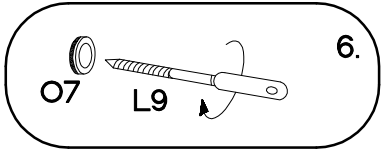
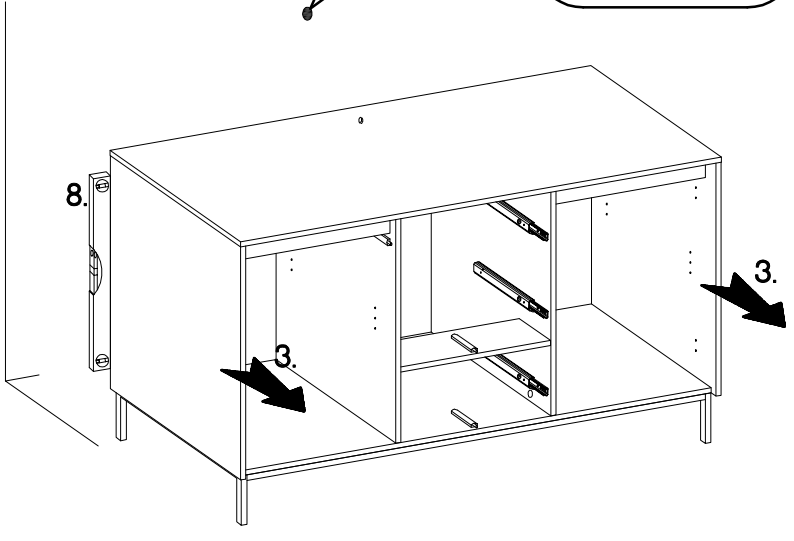
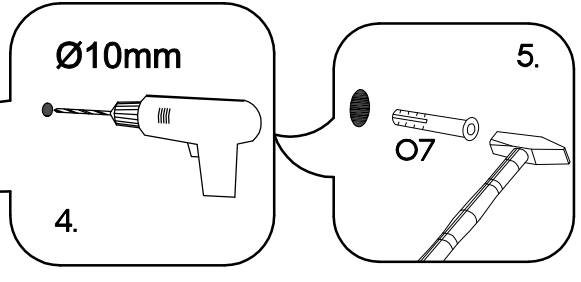
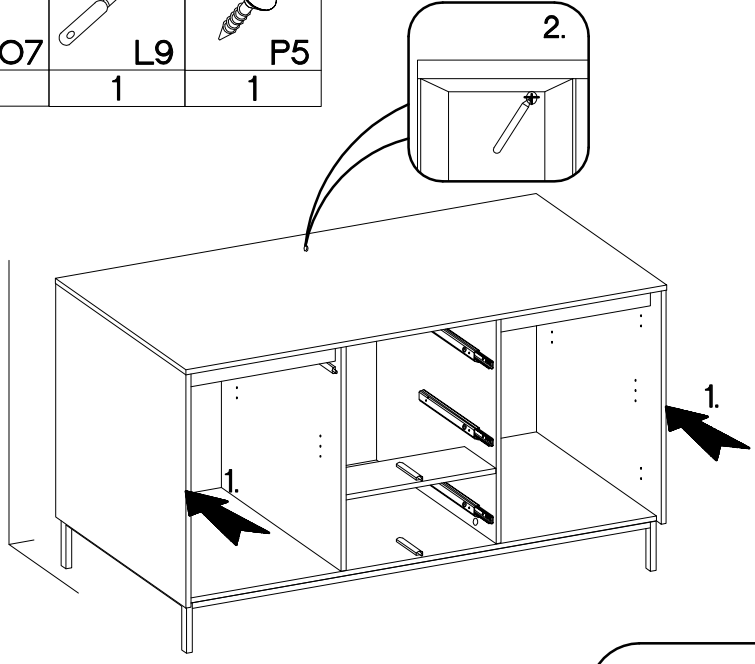
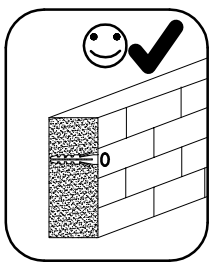
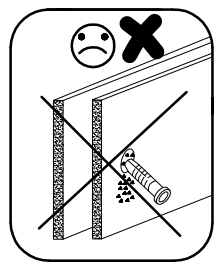
14

48x15cm  SX17 2	L=146cm  SS7 2	M5,8x30mm  U16 4	+4.0x30mm  R2 12	 O 1	+14  E13 4
--	---	---	---	--	---

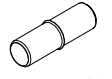


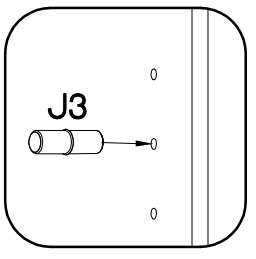
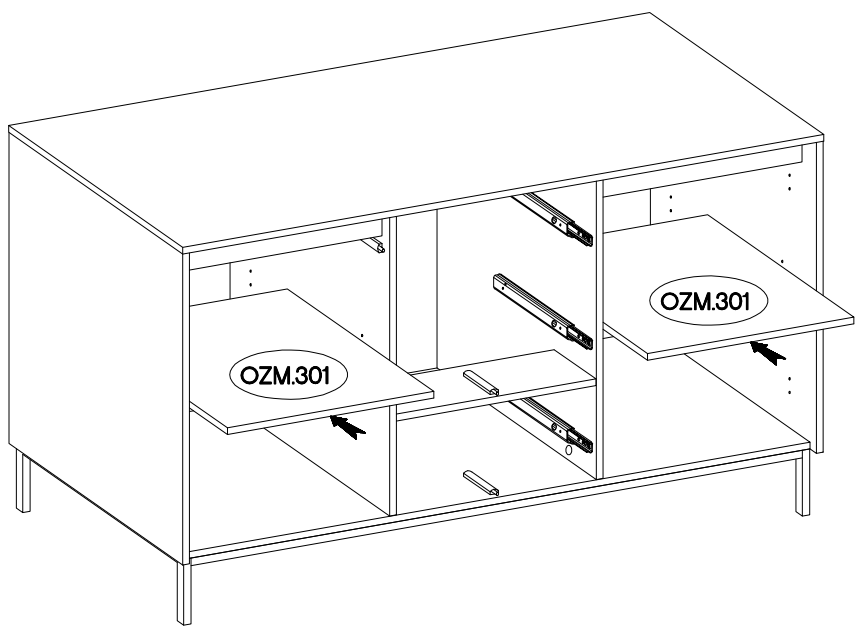


$\pm 10 \times 50 \text{mm}$  O7 1	 L9 1	$\pm 3.5 \times 13 \text{mm}$  P5 1
---	---	--





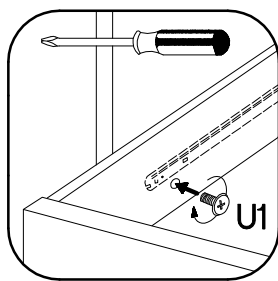
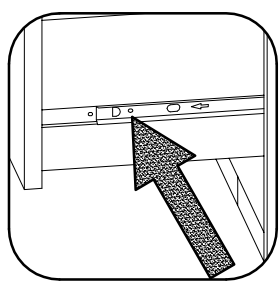
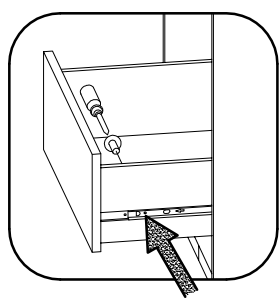
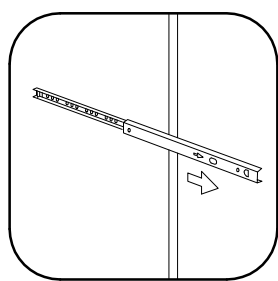
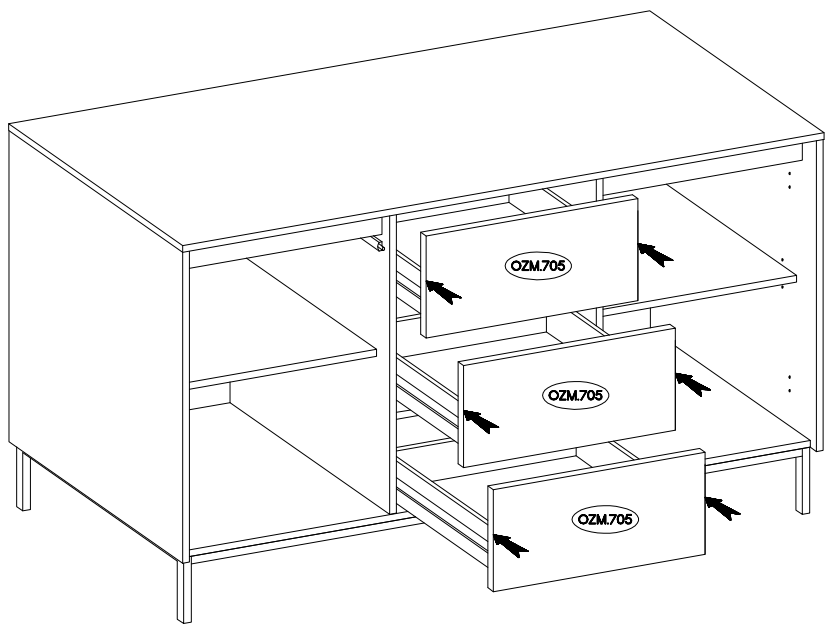
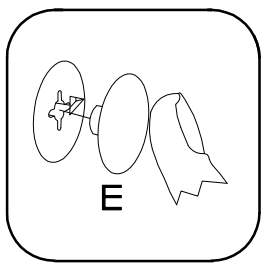
16

±5/16mm

J3
8





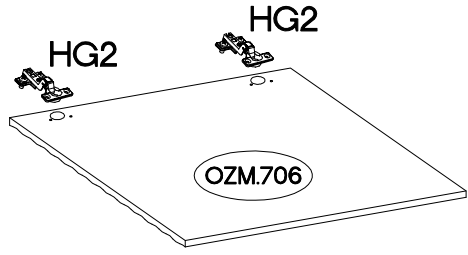
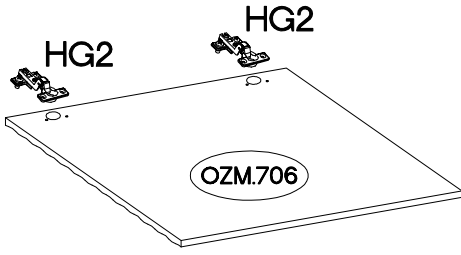
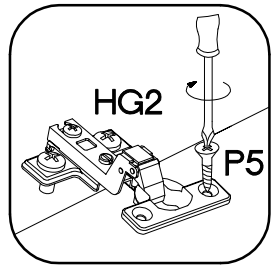
17

M4x9mm		
	U1	E
6		4



18

	
†35/16mm	†3.5x13mm
HG2	P5
4	8



19

