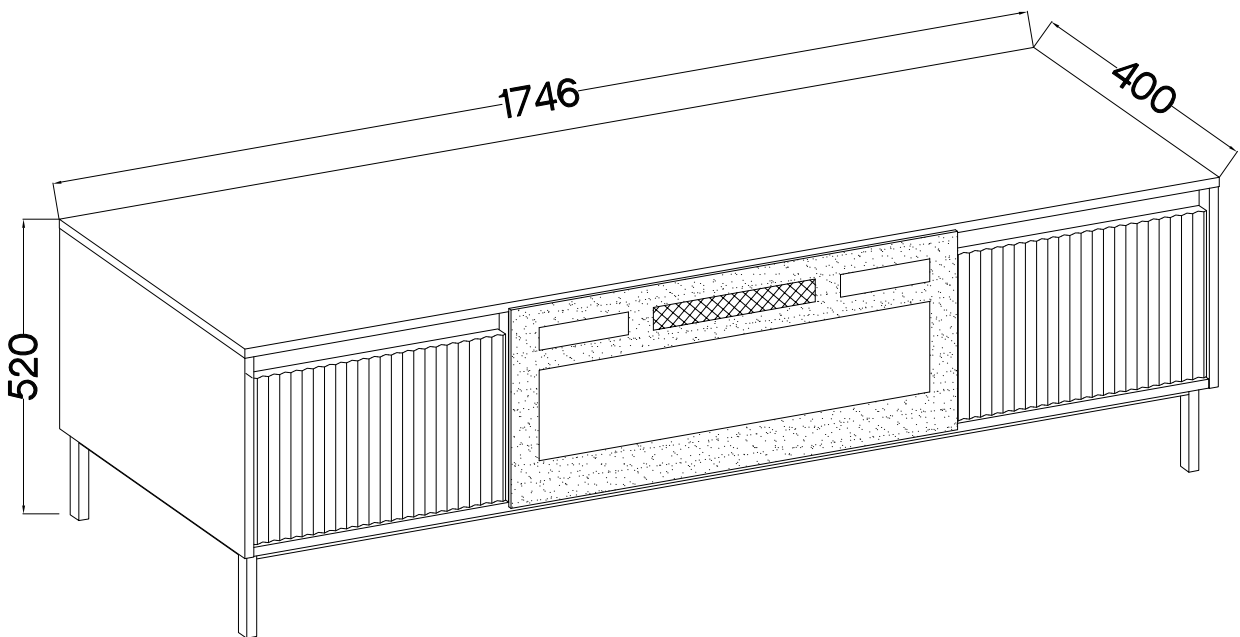
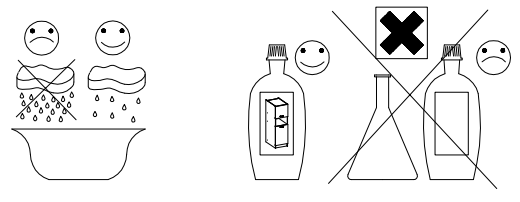


TYP 303

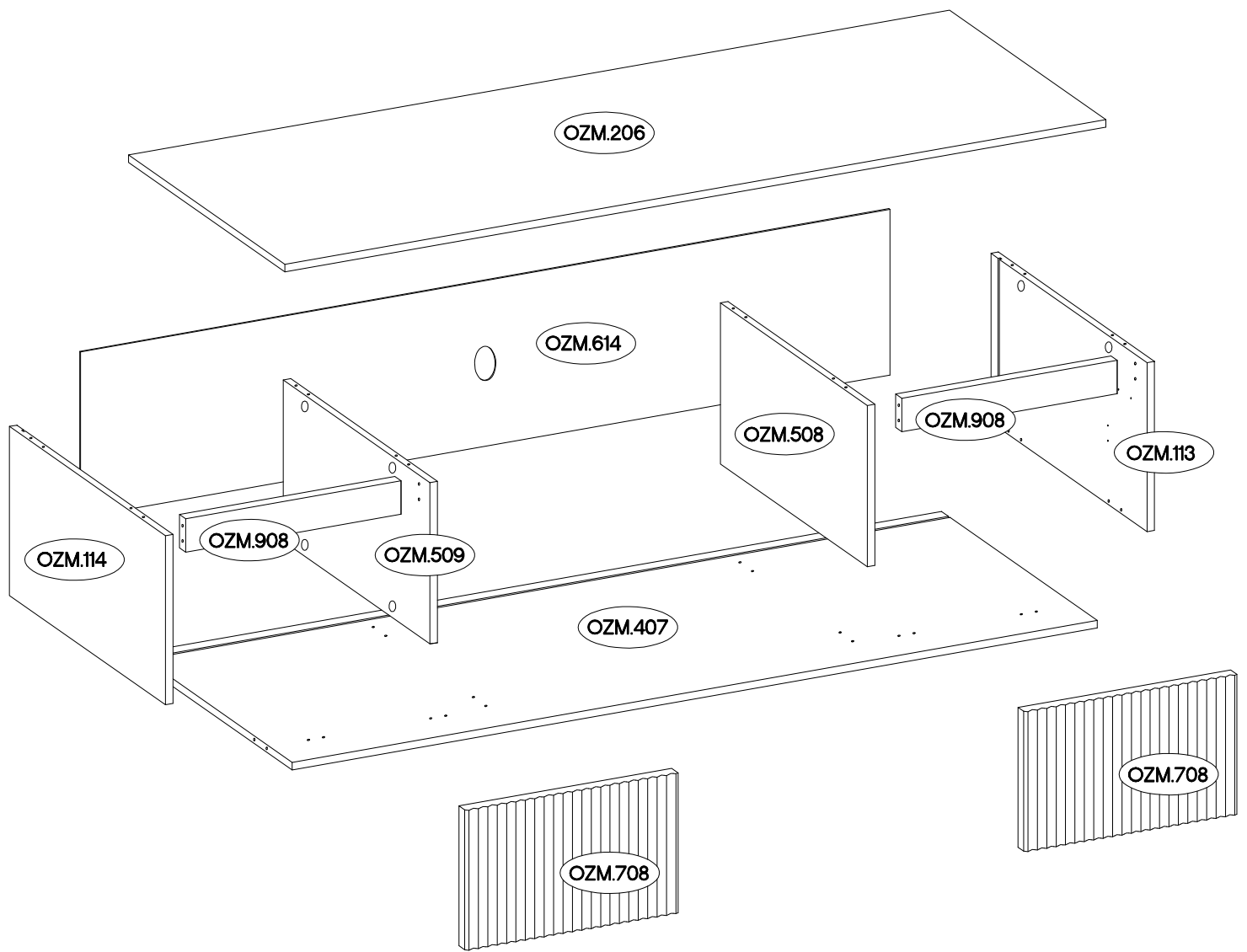


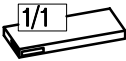
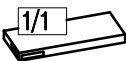
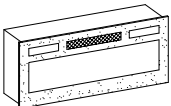
$\pm 8 \times 30 \text{mm}$ A 24	$\pm 15 / 12 \text{mm}$ C 16
$L=20 \text{mm}$ D2 16	 E 12

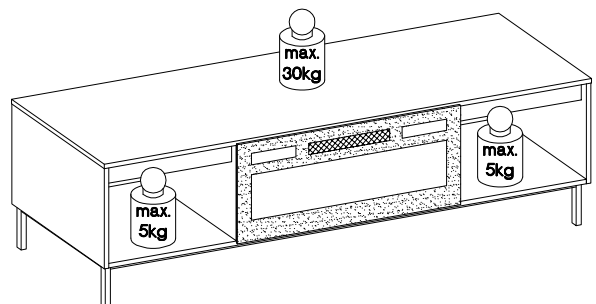
$\pm 35 / 16 \text{mm}$ HG2 4	 K4 2	 L 16	 L9 1	 L46 2	$\pm 10 \times 50 \text{mm}$ O7 1	$\pm 3.5 \times 13 \text{mm}$ P5 25	$\pm 3.0 \times 20 \text{mm}$ P7 6
---	-------------	-------------	-------------	--------------	---	---	--

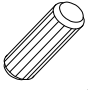


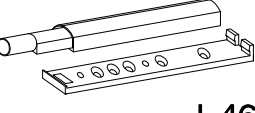

± 14 E13 4	$38 \times 15 \text{cm}$ SX15 2	$L=167 \text{cm}$ SS4 2	$M5,8 \times 30 \text{mm}$ U16 4	$\pm 4.0 \times 30 \text{mm}$ R2 12	 O 1
--------------------------	---	-----------------------------------	--	---	------------

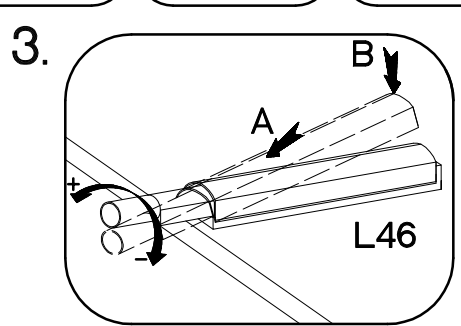
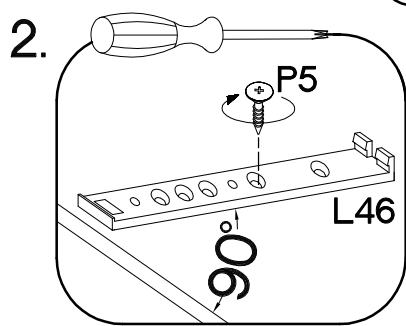
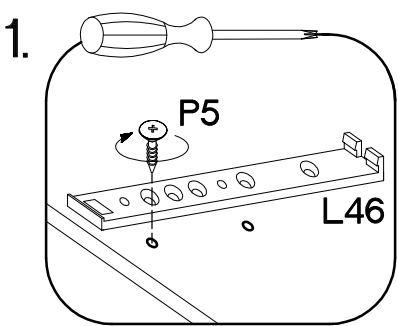
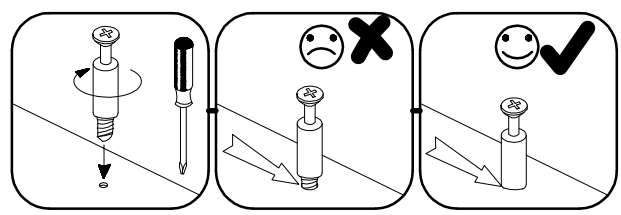
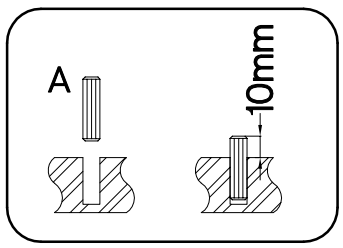
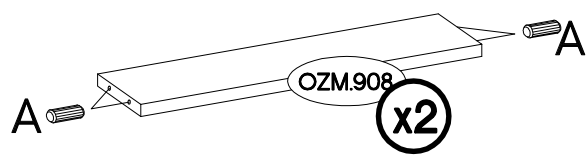
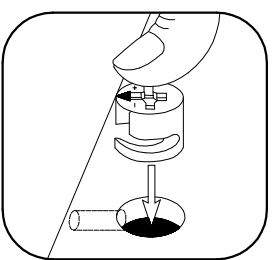
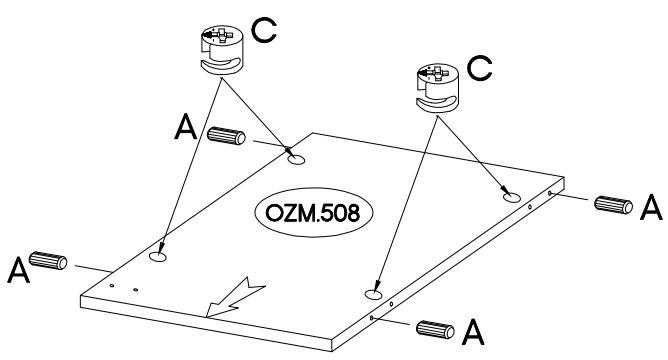
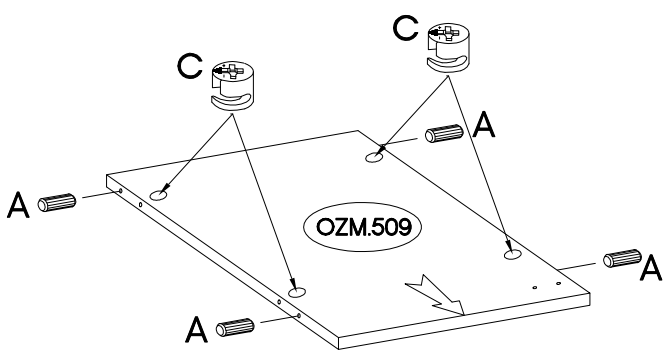
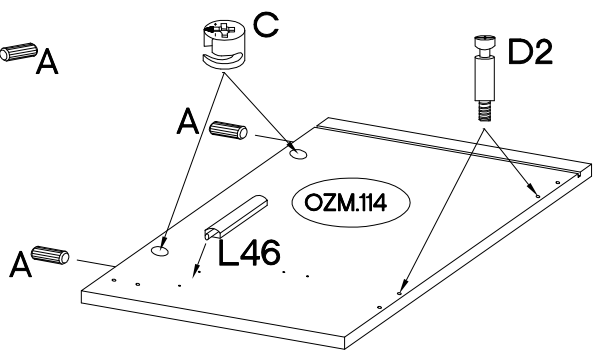
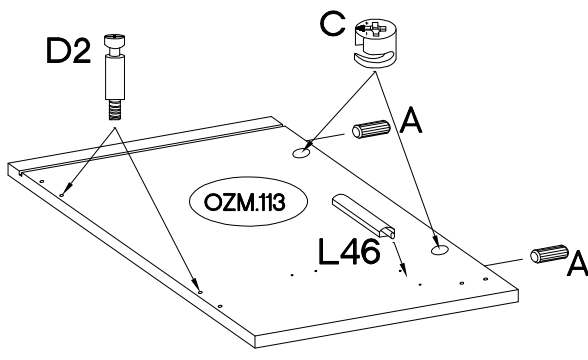
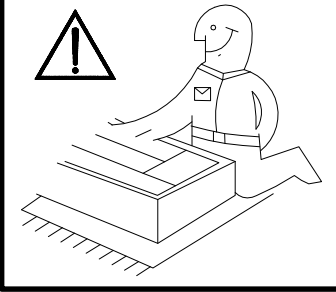
ISM-OZM-007



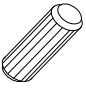
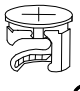
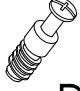
	Ersatzteil Nummer	Dimension
	OZM.113	354x399x16
	OZM.114	354x399x16
	OZM.508	338x375x16
	OZM.509	338x375x16
	OZM.206	1746x400x16
	OZM.407	1712x398x16
	OZM.908 x2	458x70x16
	OZM.614	1721x347x2,5
	OZM.708 x2	293x452x18
		L44

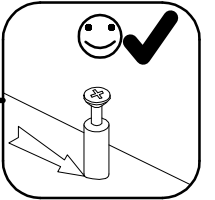
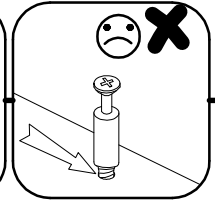
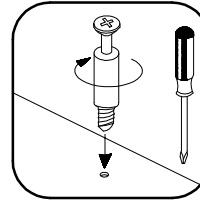
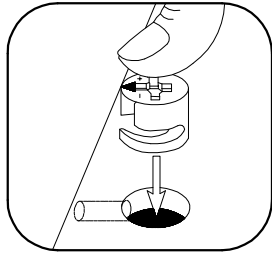
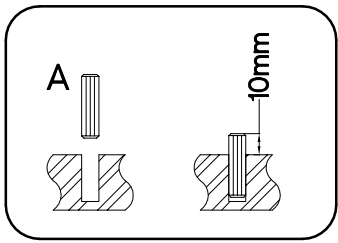
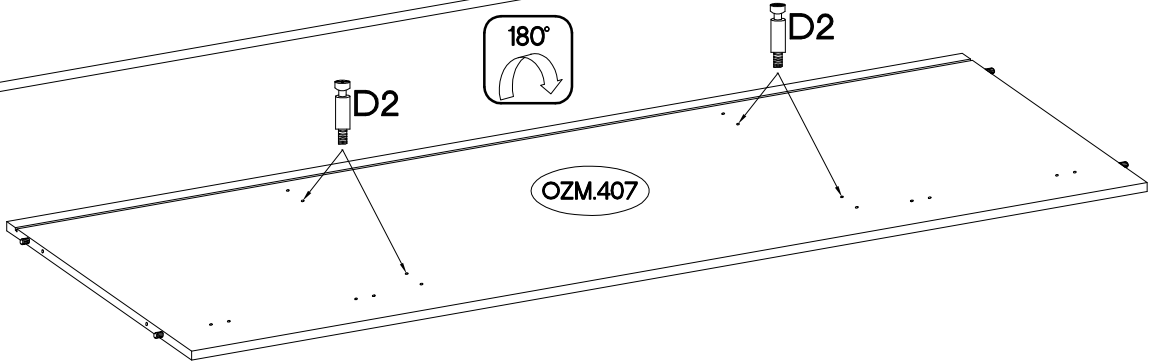
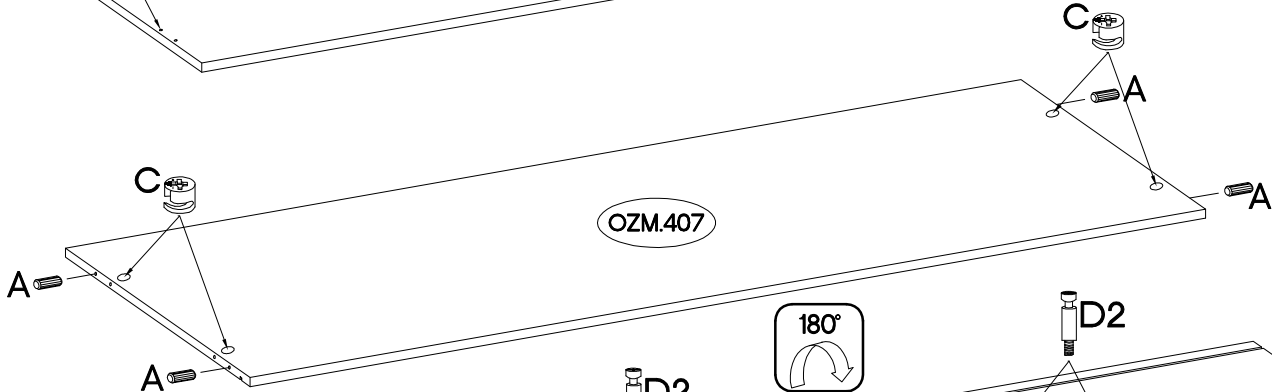
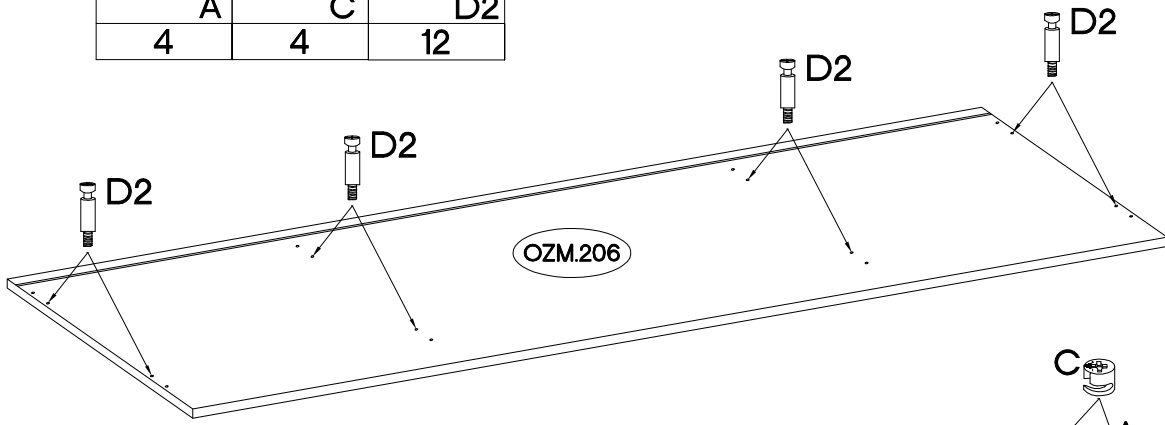
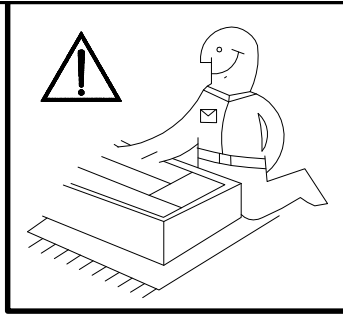


<p>±8x30mm</p>  <p>A</p>	<p>±15/12mm</p>  <p>C</p>	<p>L=20mm</p>  <p>D2</p>	 <p>L46</p>	<p>±3.5x13mm</p>  <p>P5</p>
20	12	4	2	4

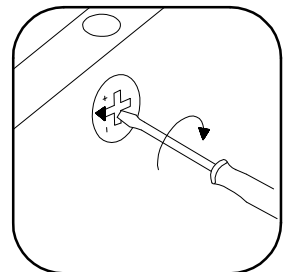
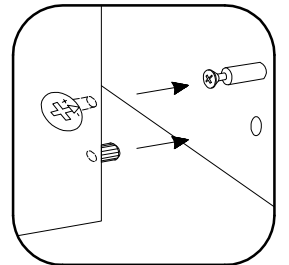
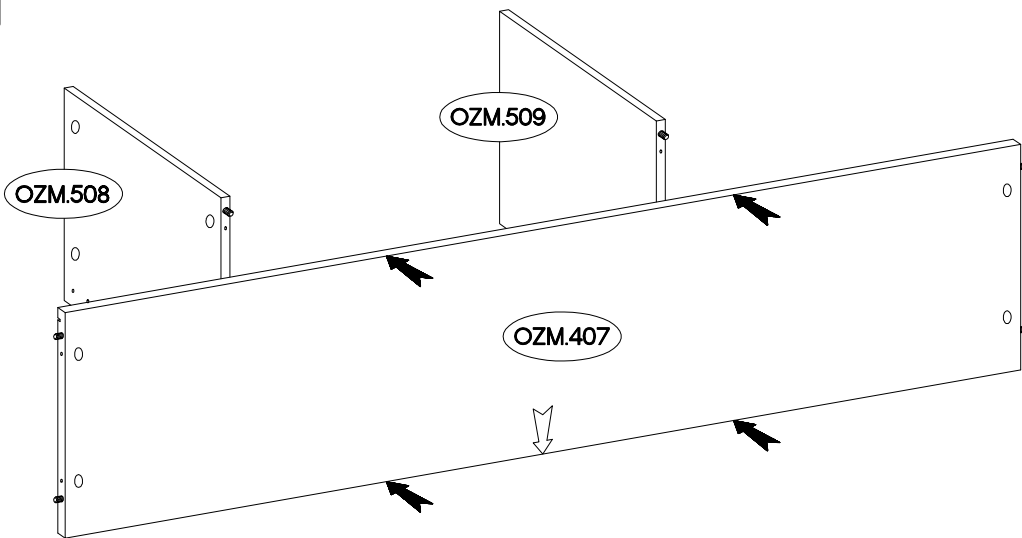


2

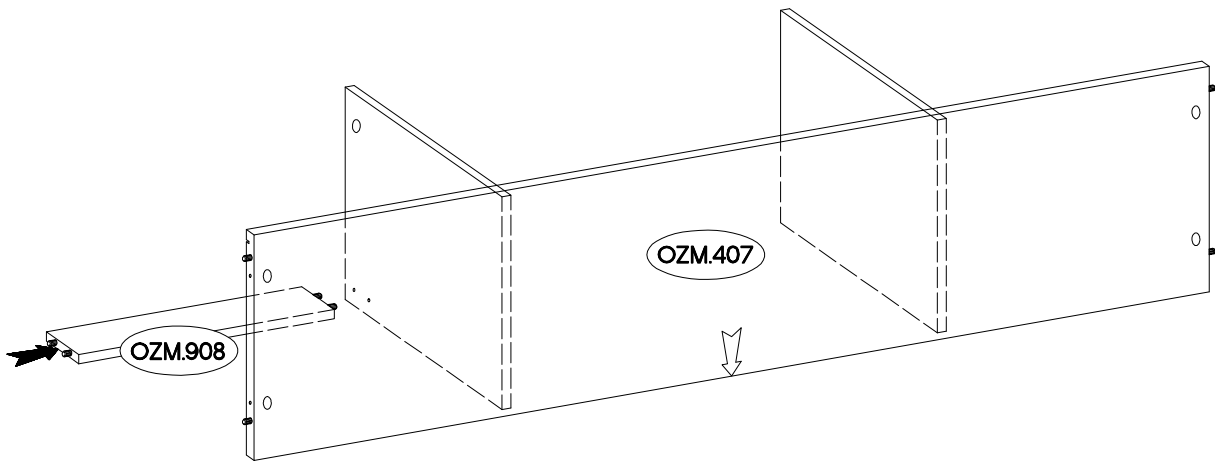
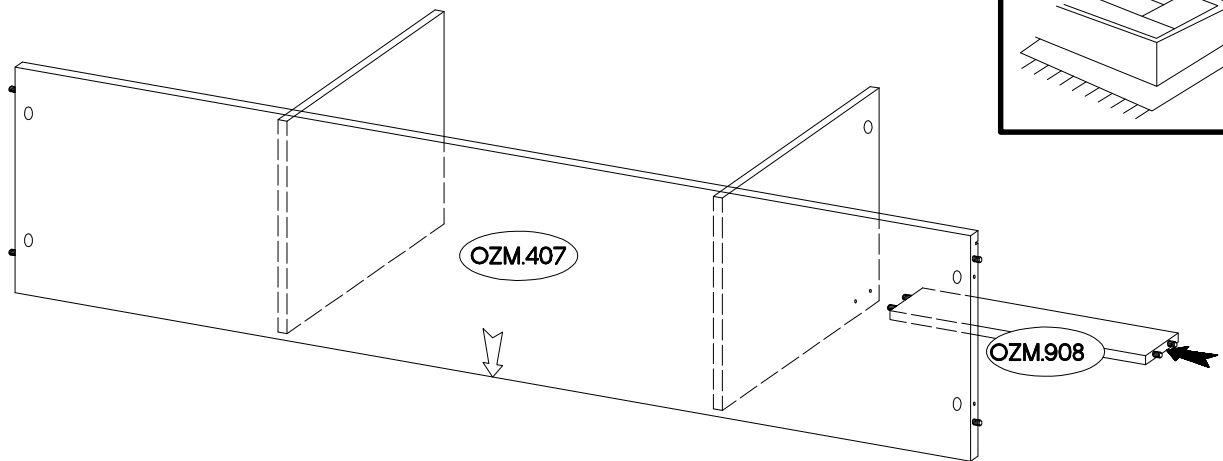
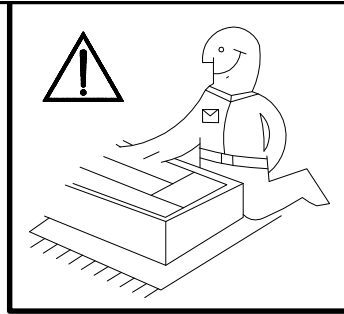
$\varnothing 8 \times 30 \text{mm}$  A 4	$\varnothing 15/12 \text{mm}$  C 4	L=20mm  D2 12
---	---	--



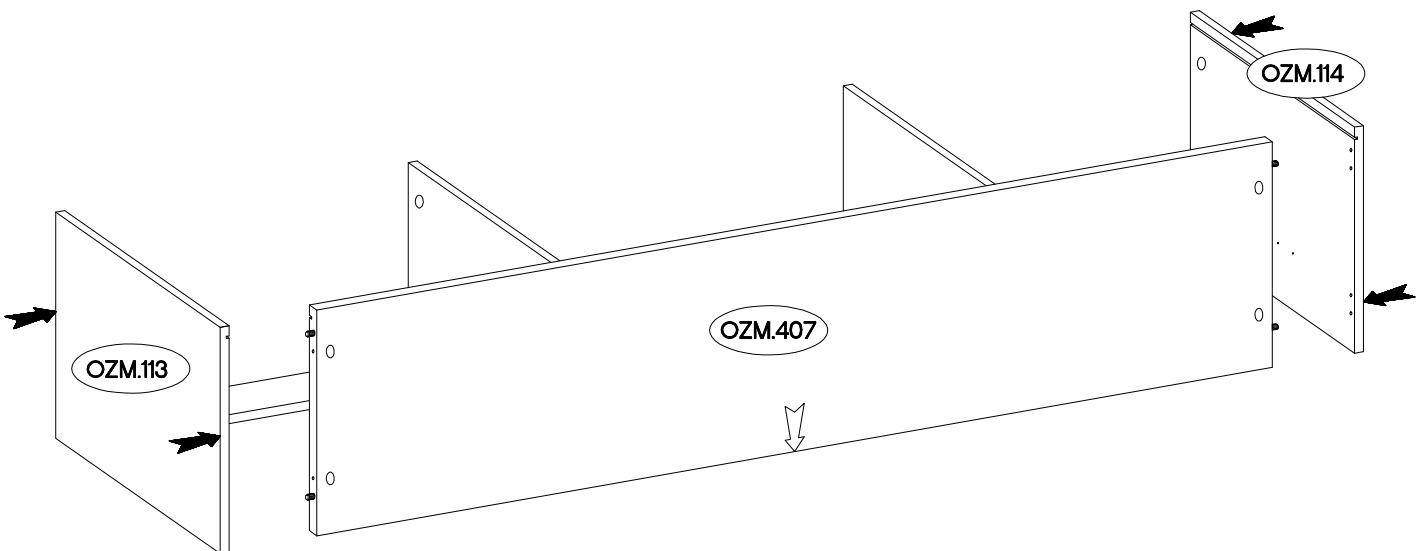
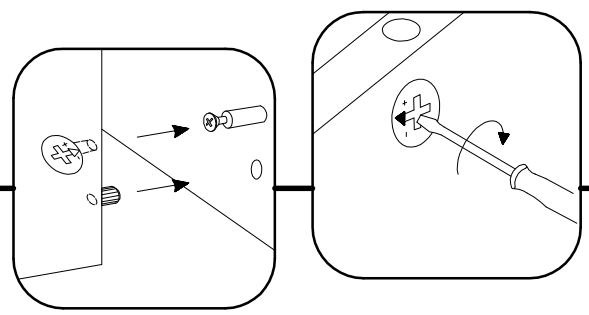
3




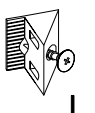
4

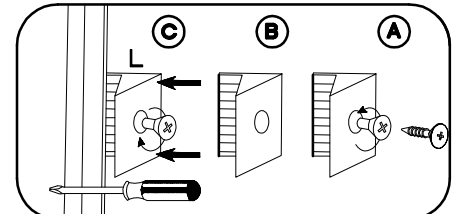
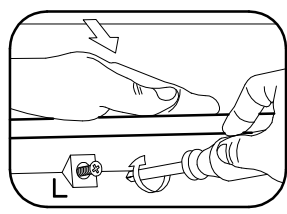
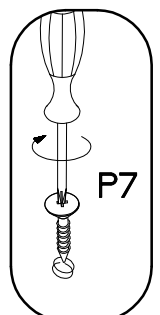
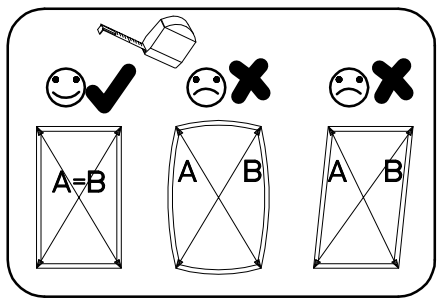
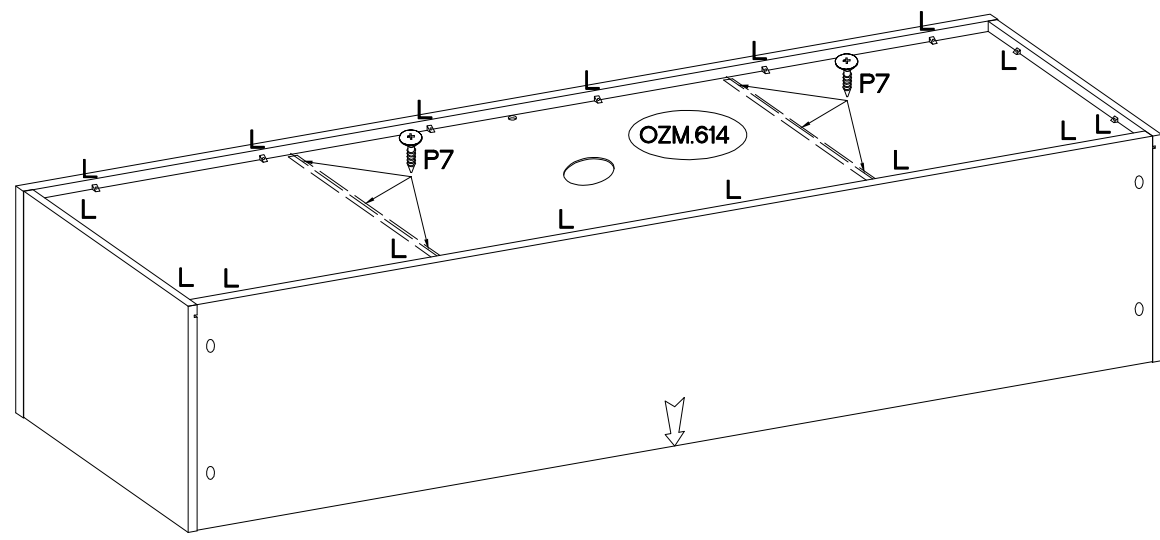
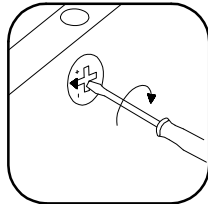
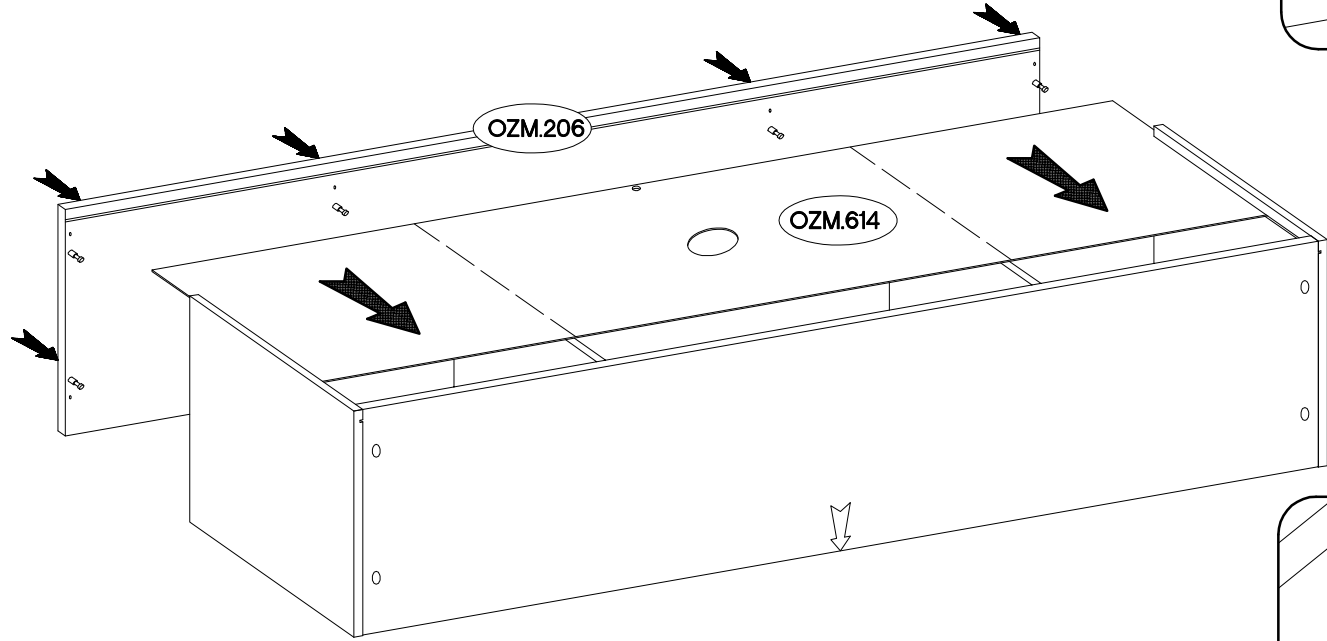
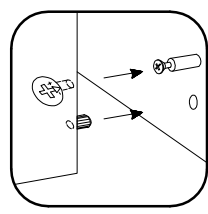
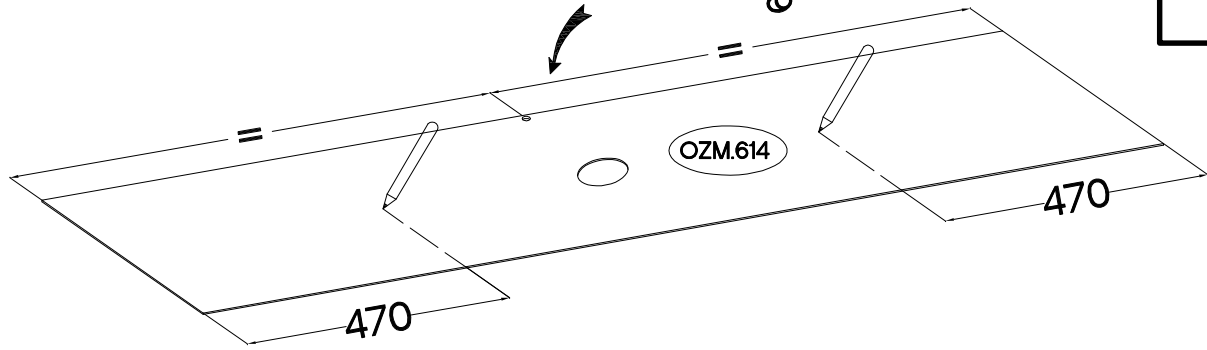
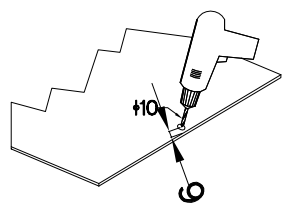
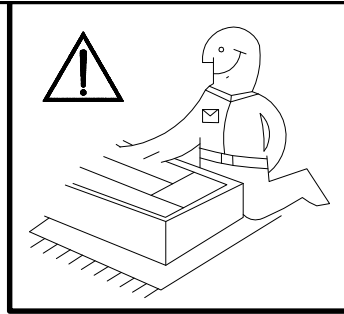



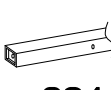



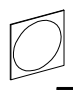
5

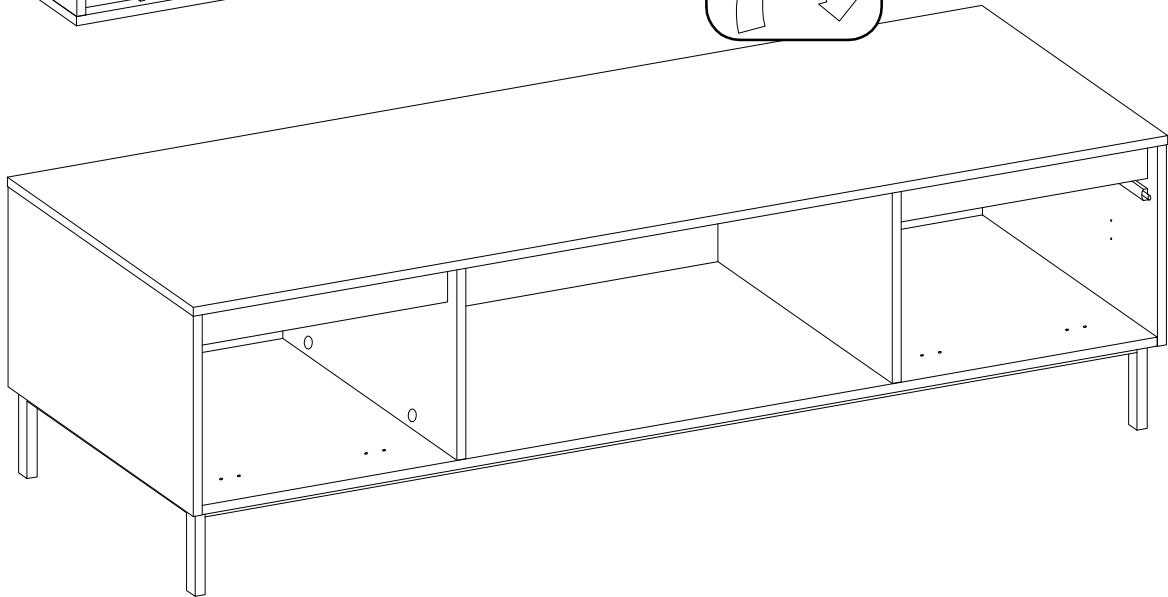
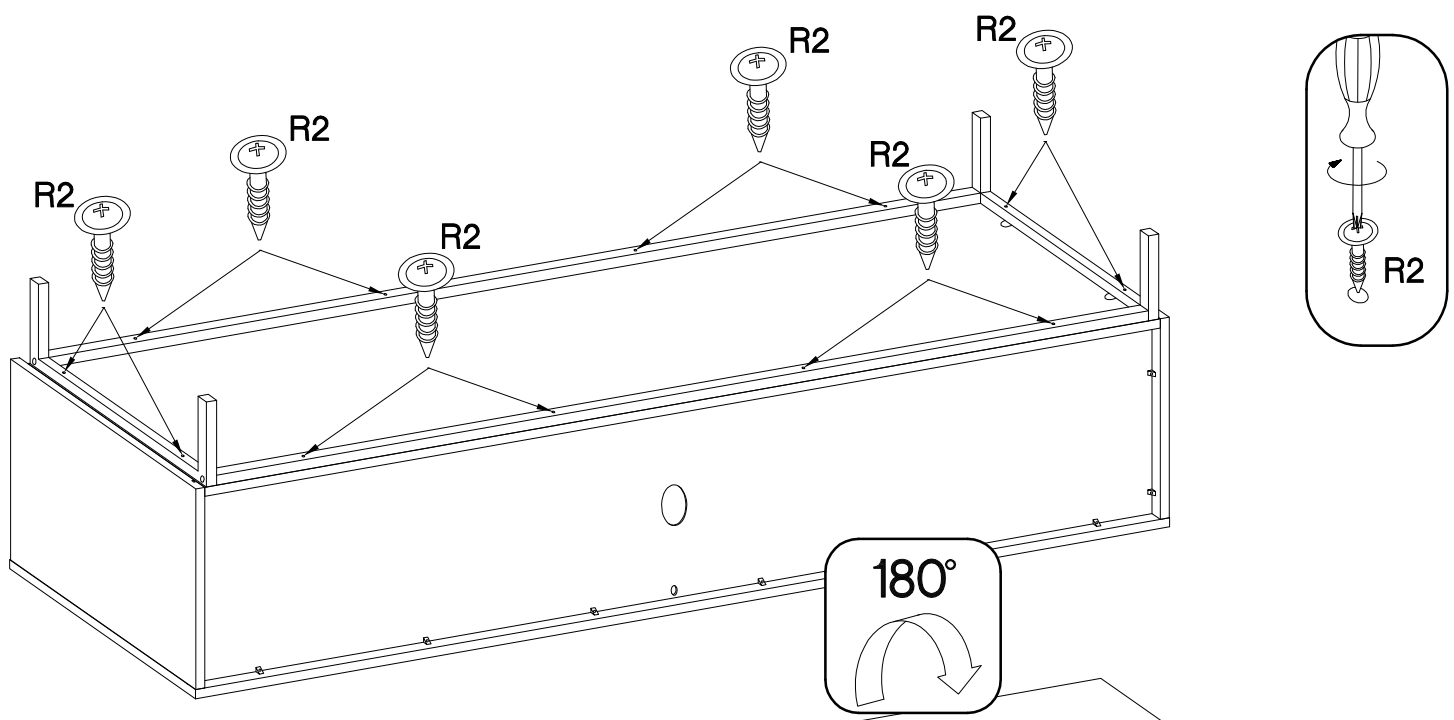
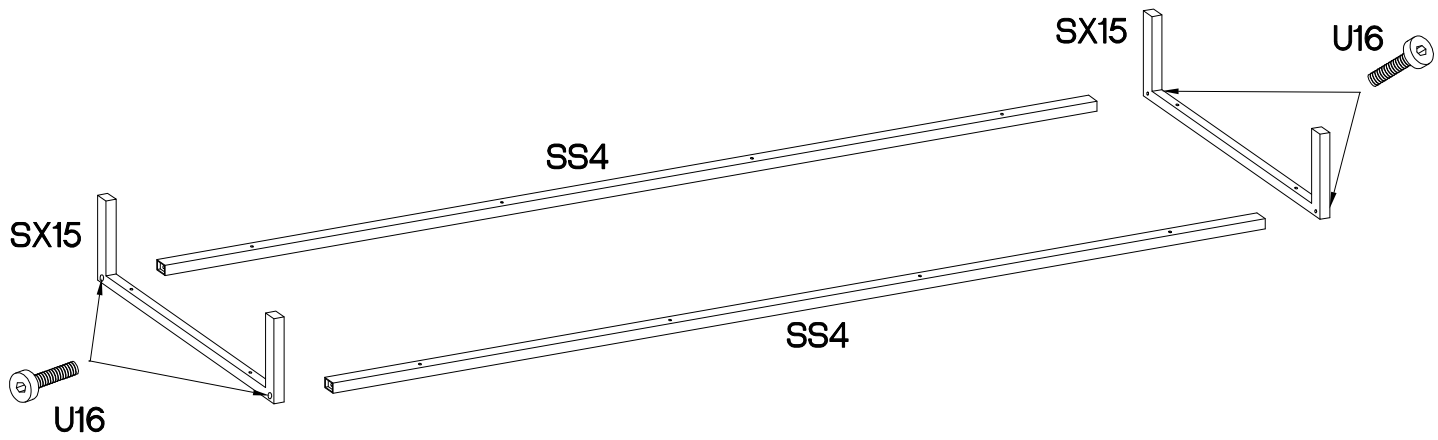
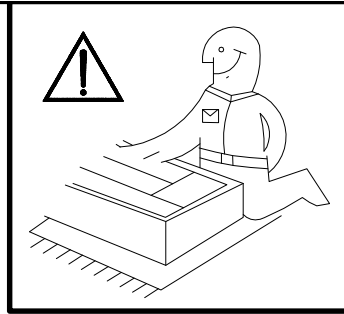


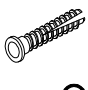


6

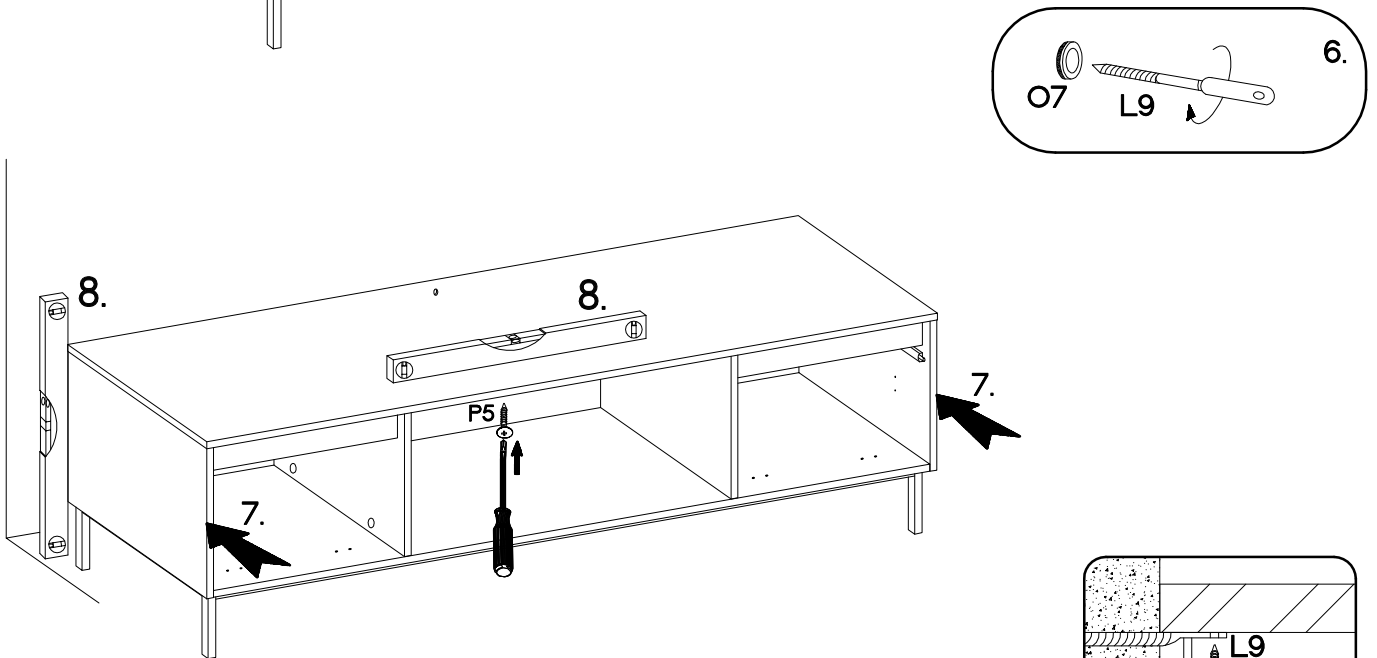
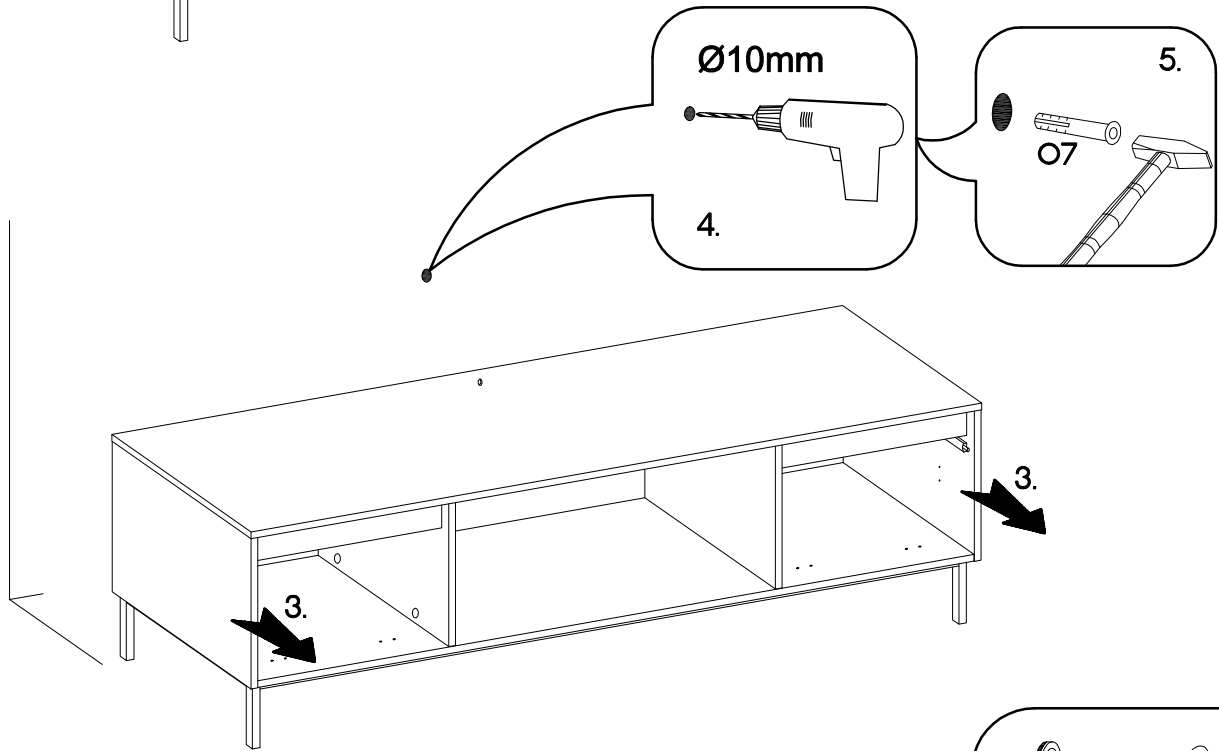
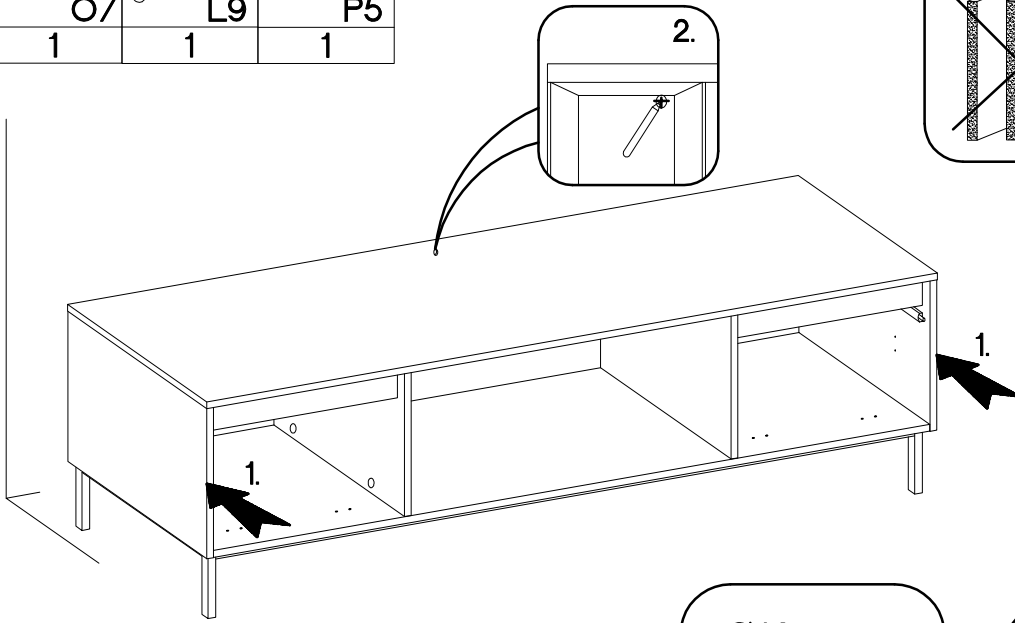
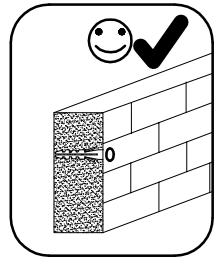
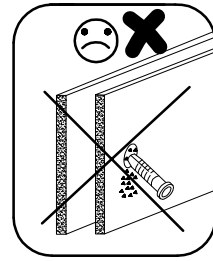
†3.0x20mm	
	
P7	L
6	16



38x15cm  SX15 2	L=167cm  SS4 2	M5,8x30mm  U16 4	4.0x30mm  R2 12	 O 1	14  E13 4
---	--	--	---	---	---

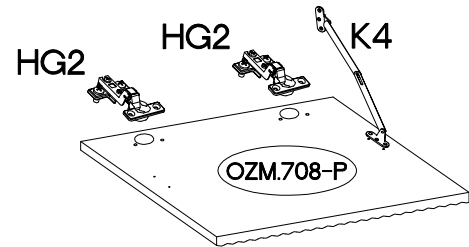
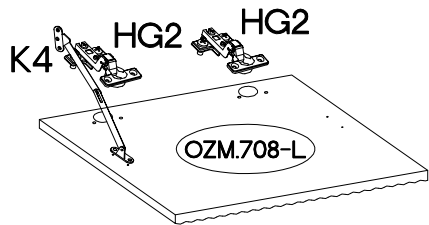
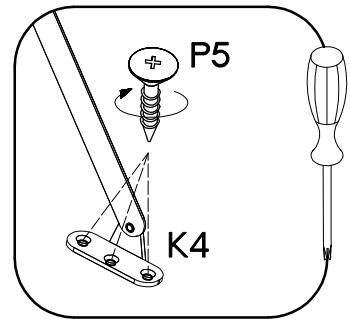
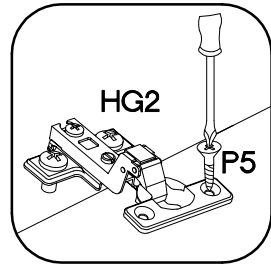


$\pm 10 \times 50 \text{mm}$  O7 1	 L9 1	$\pm 3.5 \times 13 \text{mm}$  P5 1
---	---	--



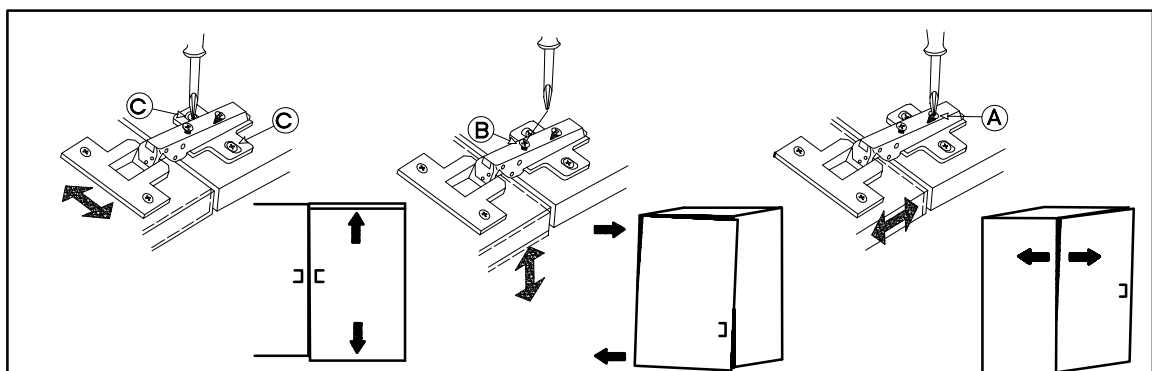
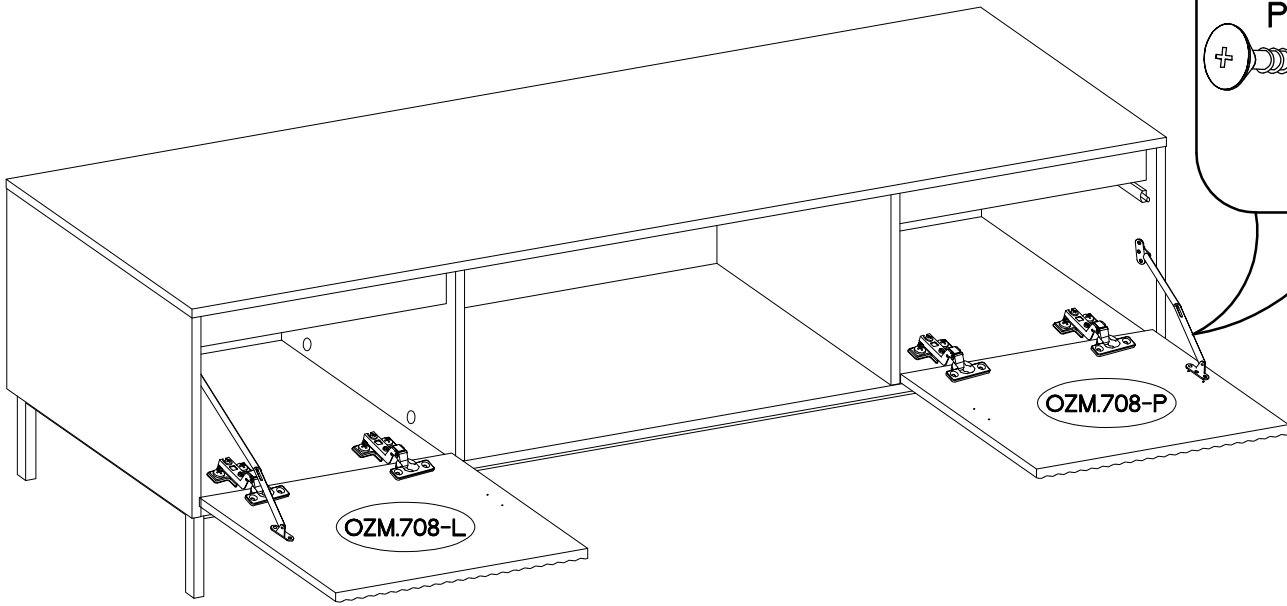
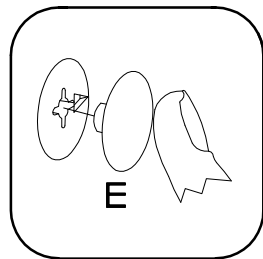
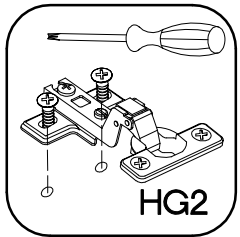
9

$\pm 35/16\text{mm}$ HG2 4	$\pm 3.5 \times 13\text{mm}$ P5 14	K4 2
----------------------------------	--	---------

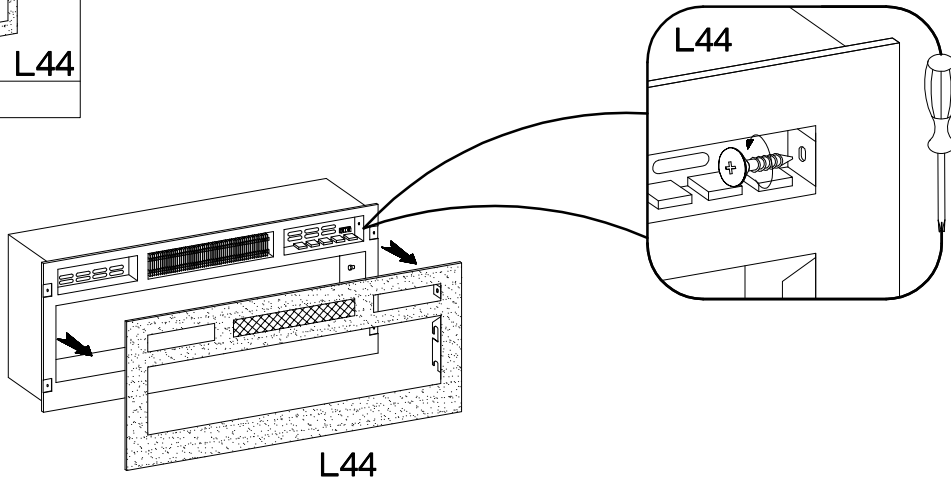
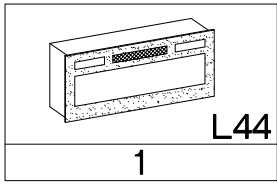


10

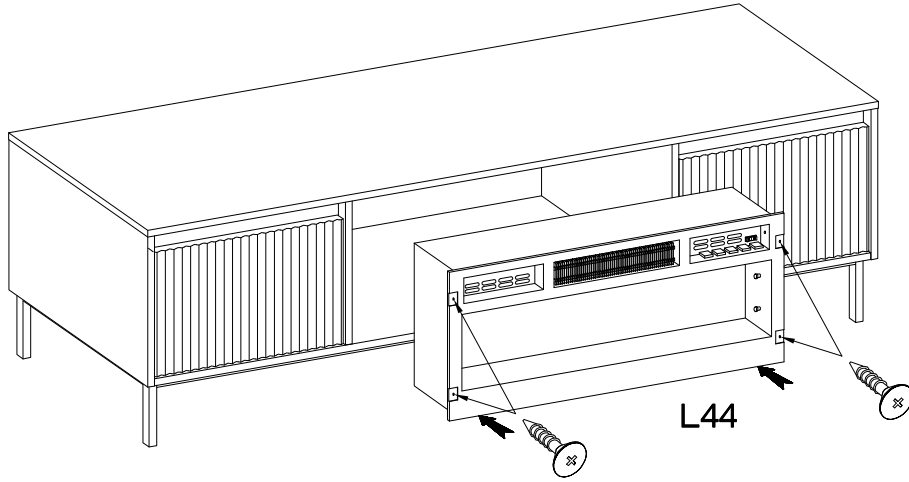
$\pm 3.5 \times 13\text{mm}$ P5 6	E 12
---	---------



11



12



13

