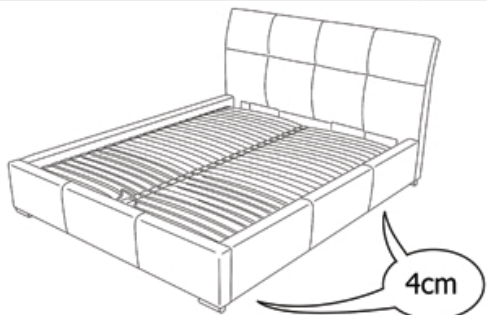
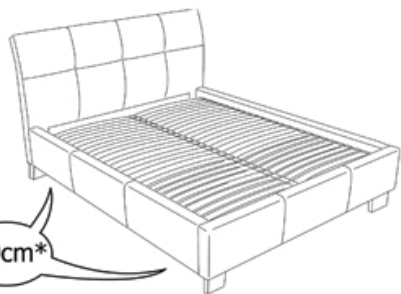




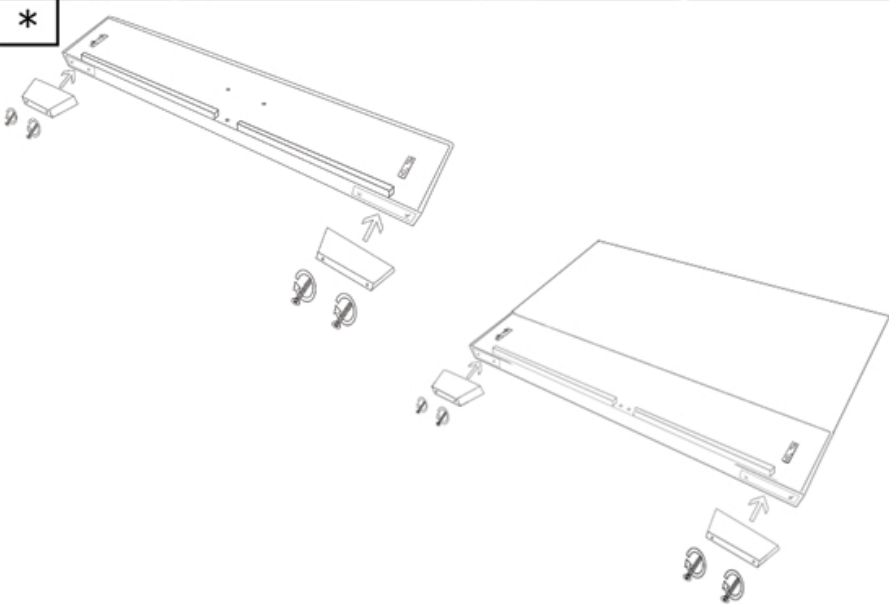
BED WITH CONTAINER



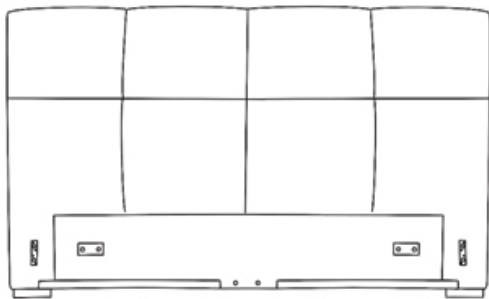
4cm



10cm*



*



A x 1



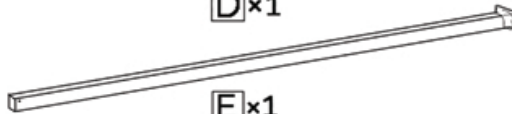
B x 1



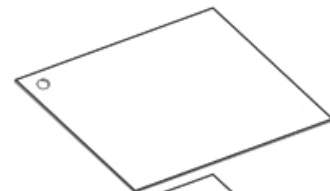
C x 1



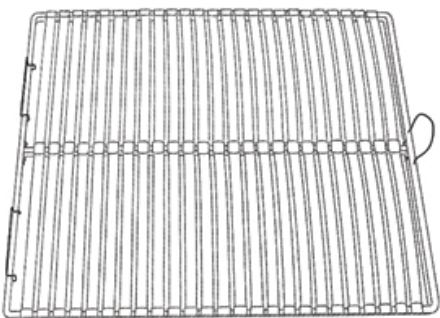
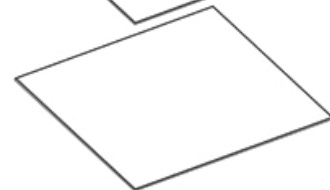
D x 1



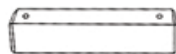
E x 1



G x 2



F x 1



H x 1



I x 2



J x 1



K x 4



L x 5



M x 14

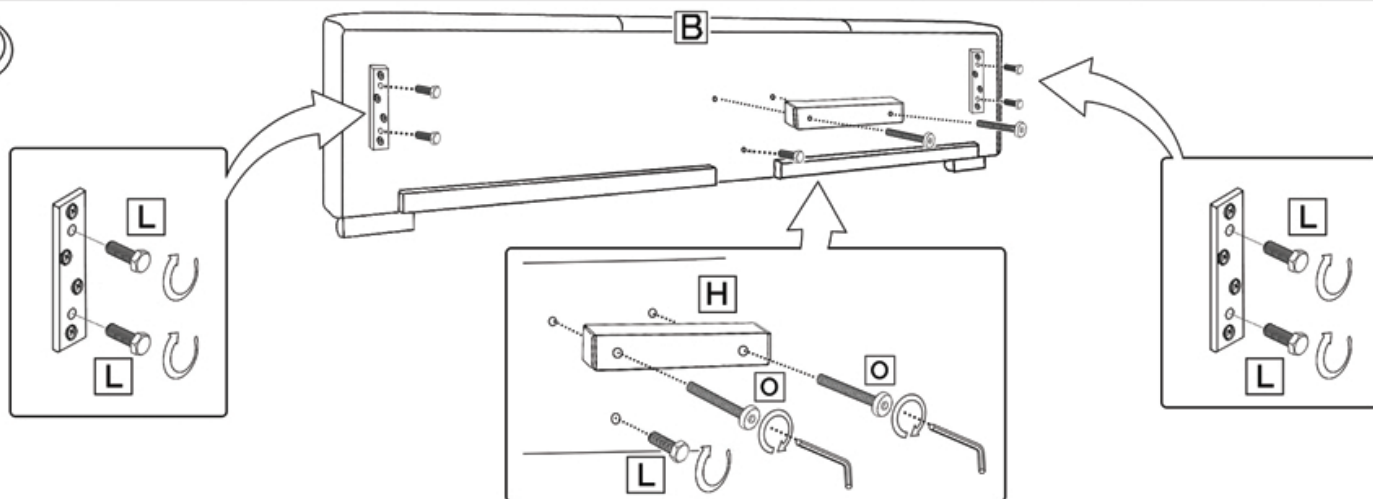


N x 2

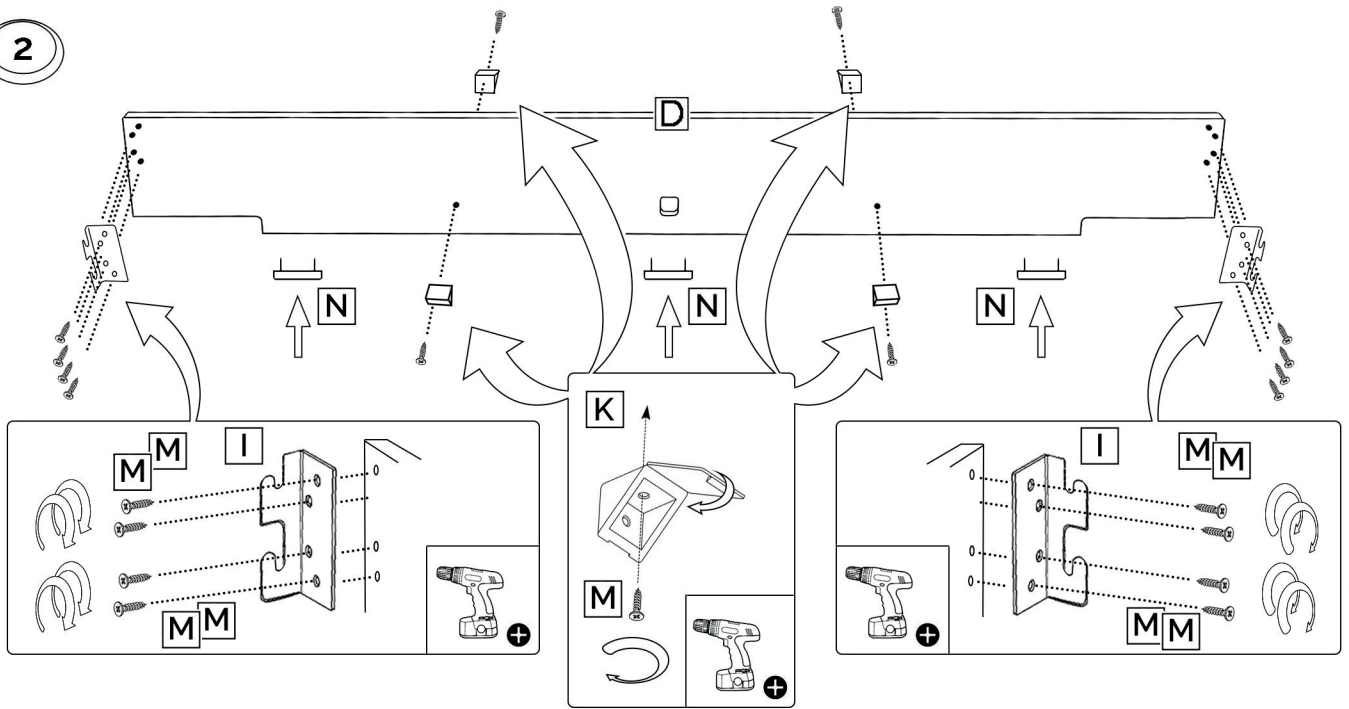


O x 2

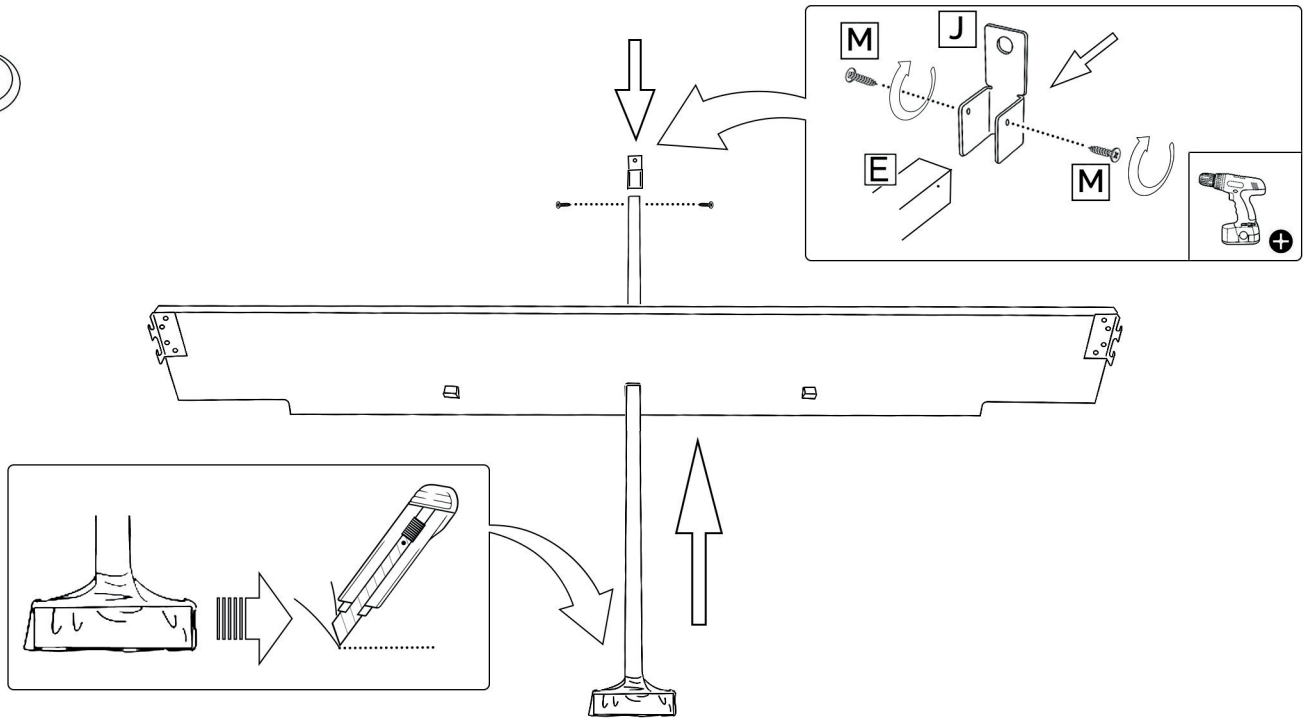
1



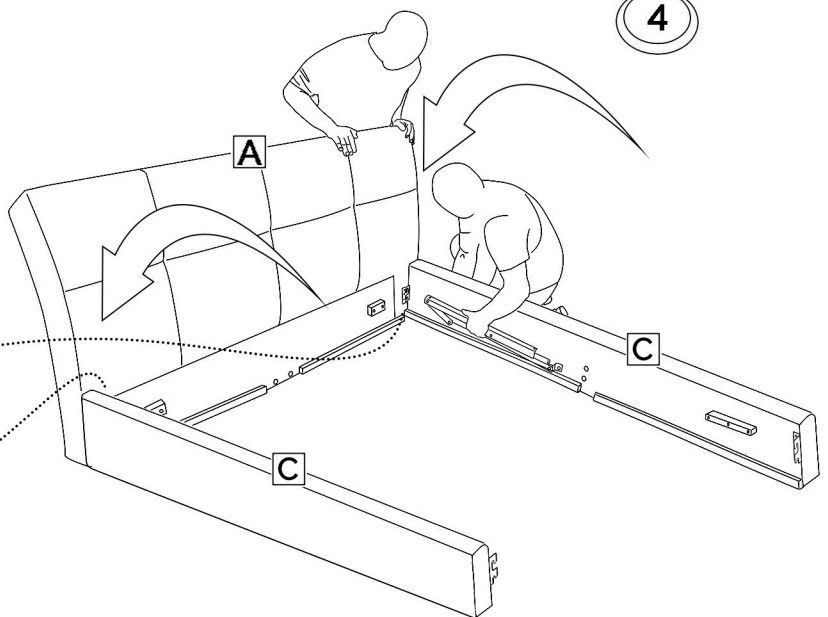
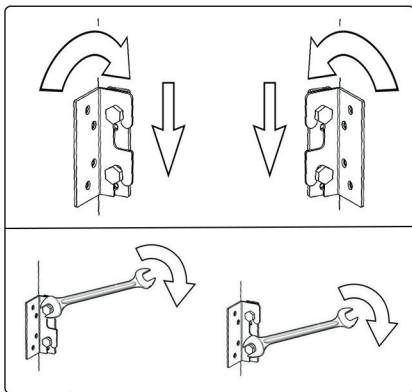
2

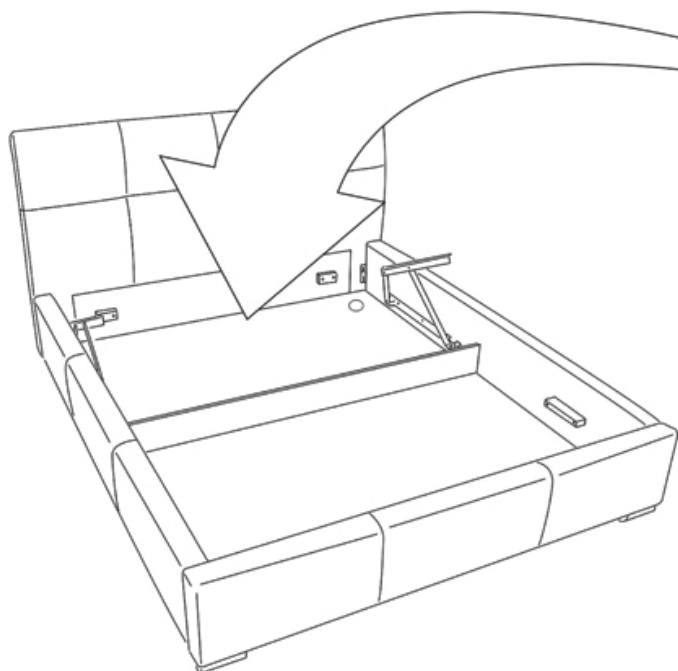


3

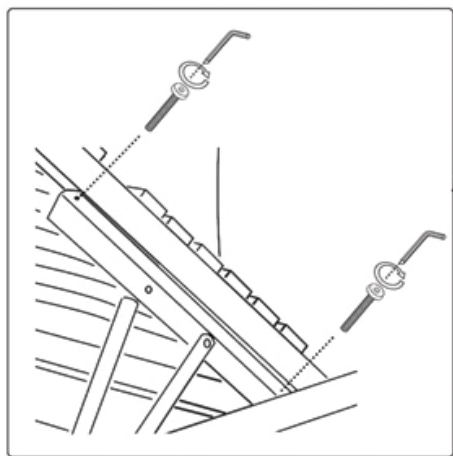
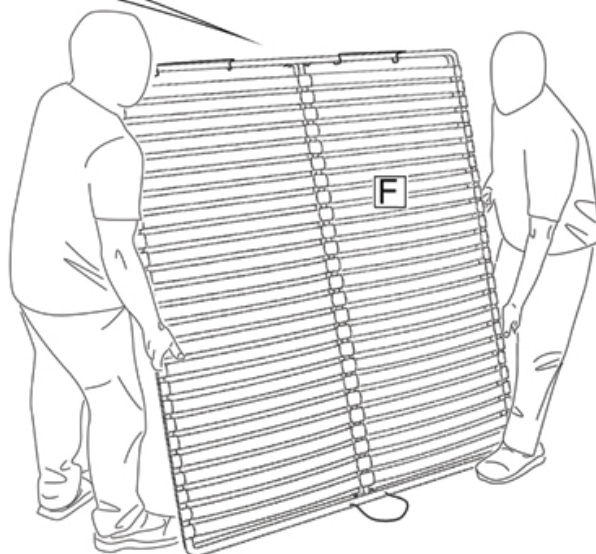


4

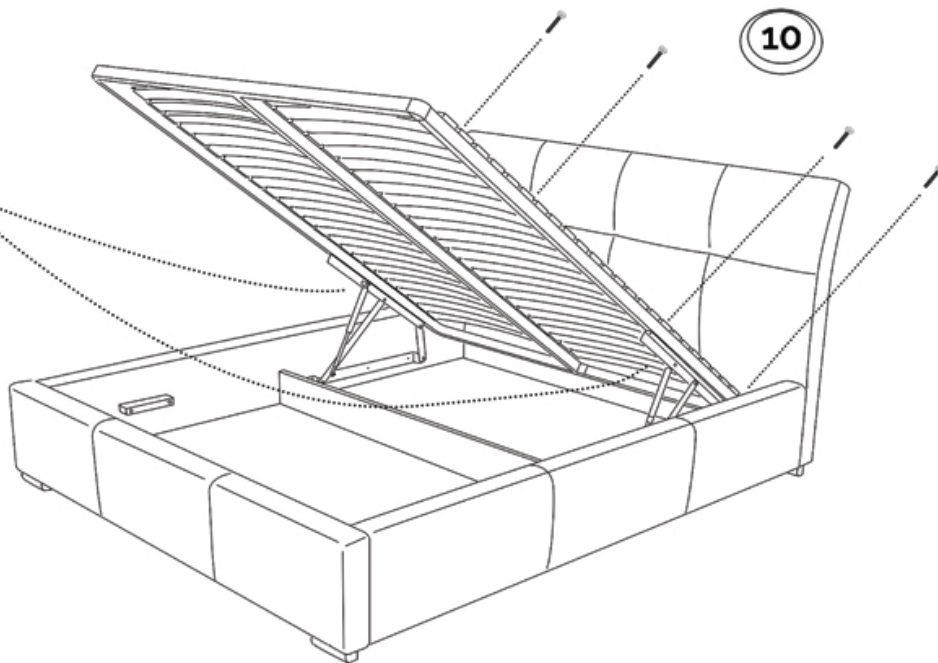




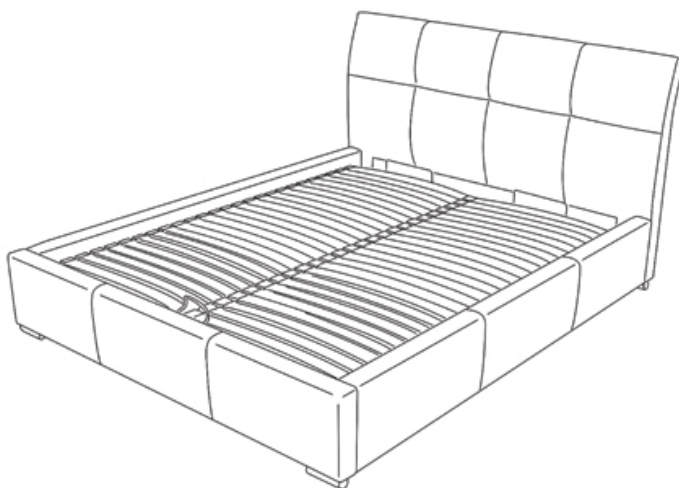
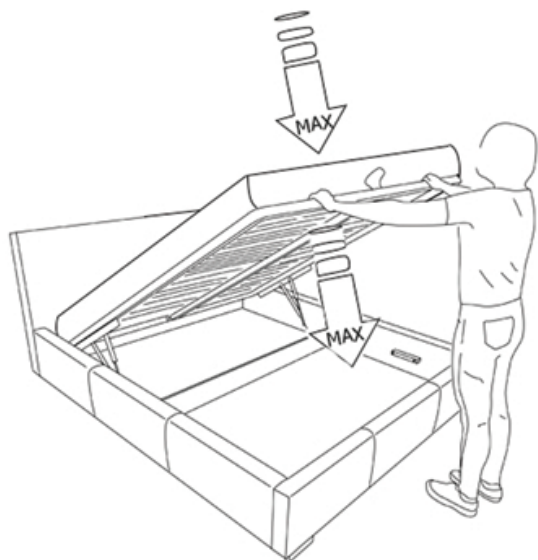
9

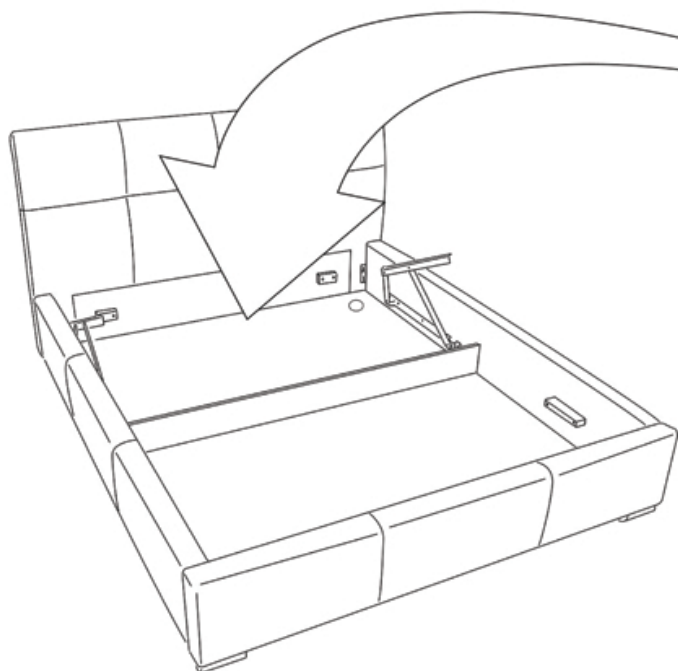


10

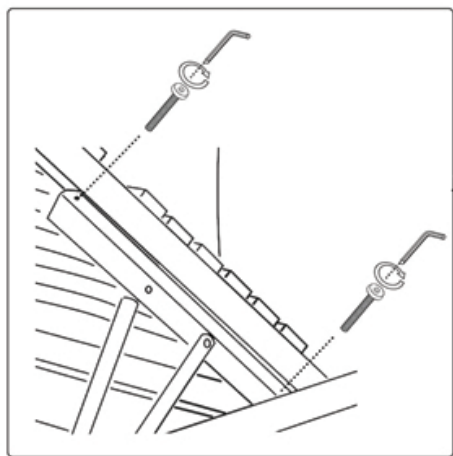
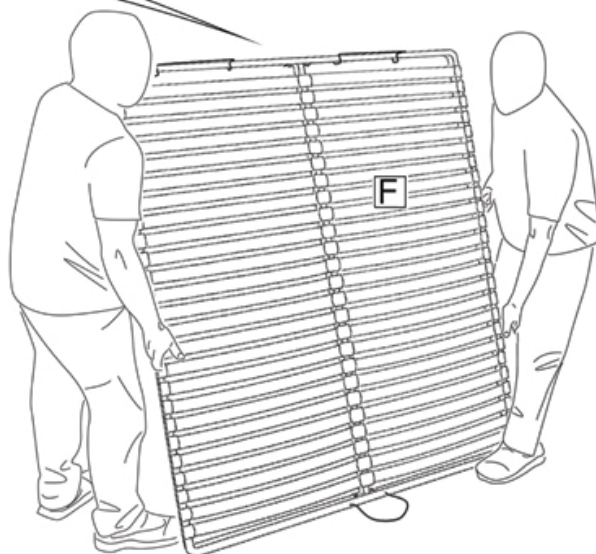


11

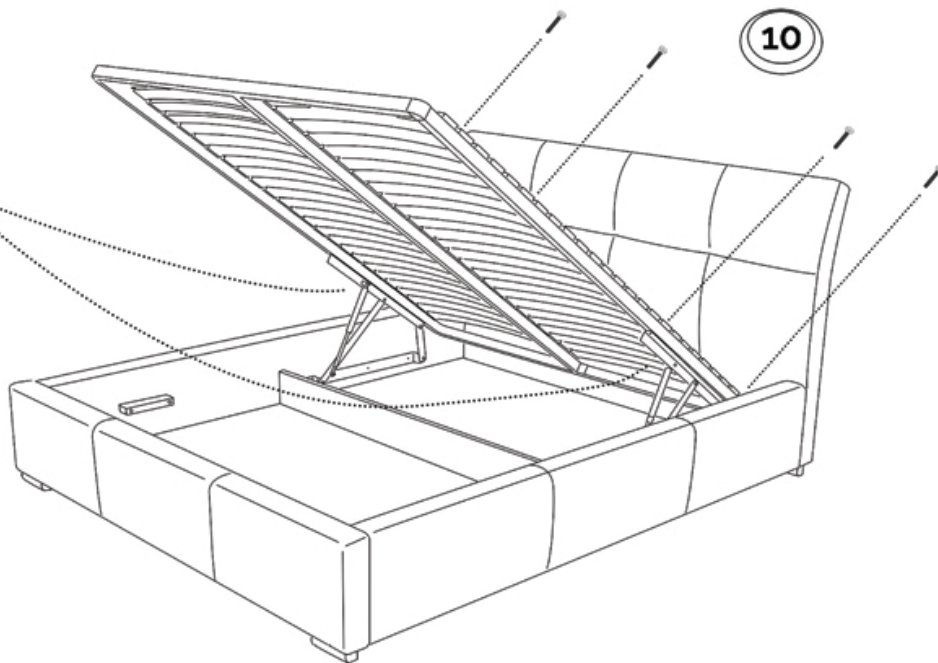




9



10



11

