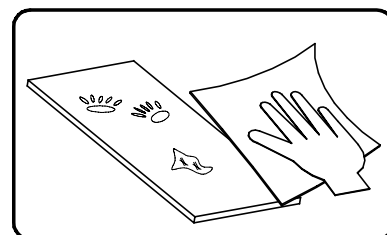



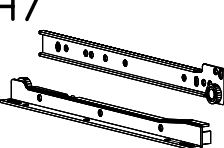


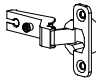
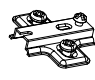
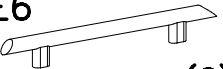





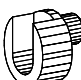

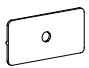
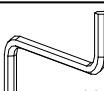




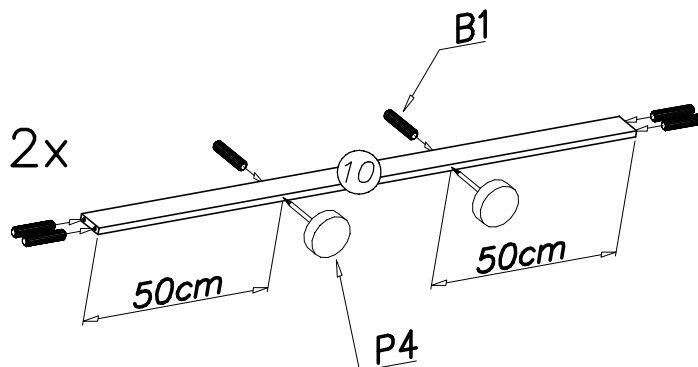
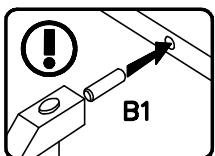
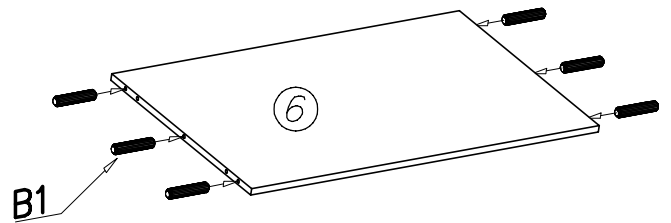
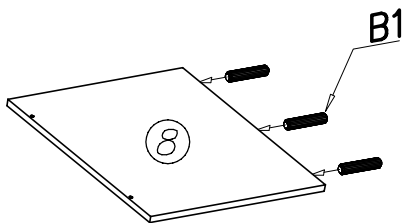
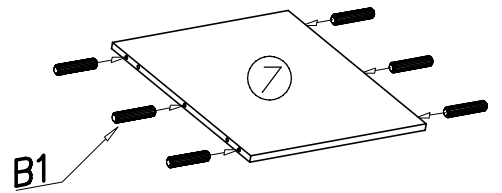
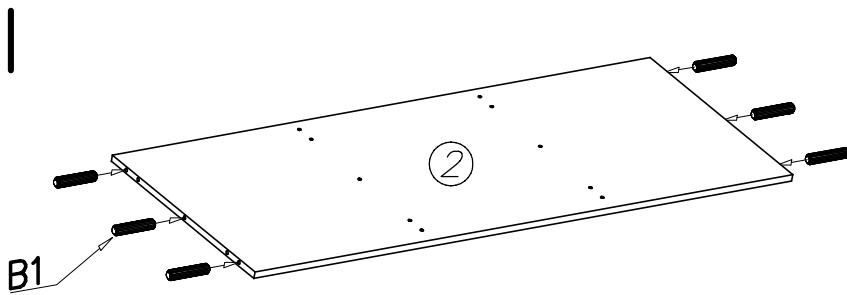
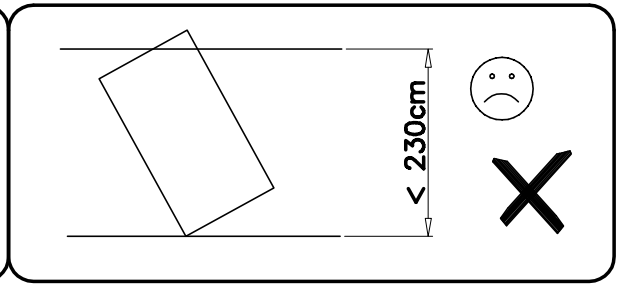
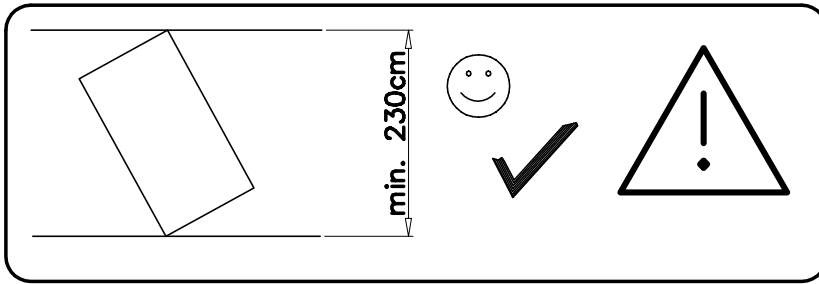
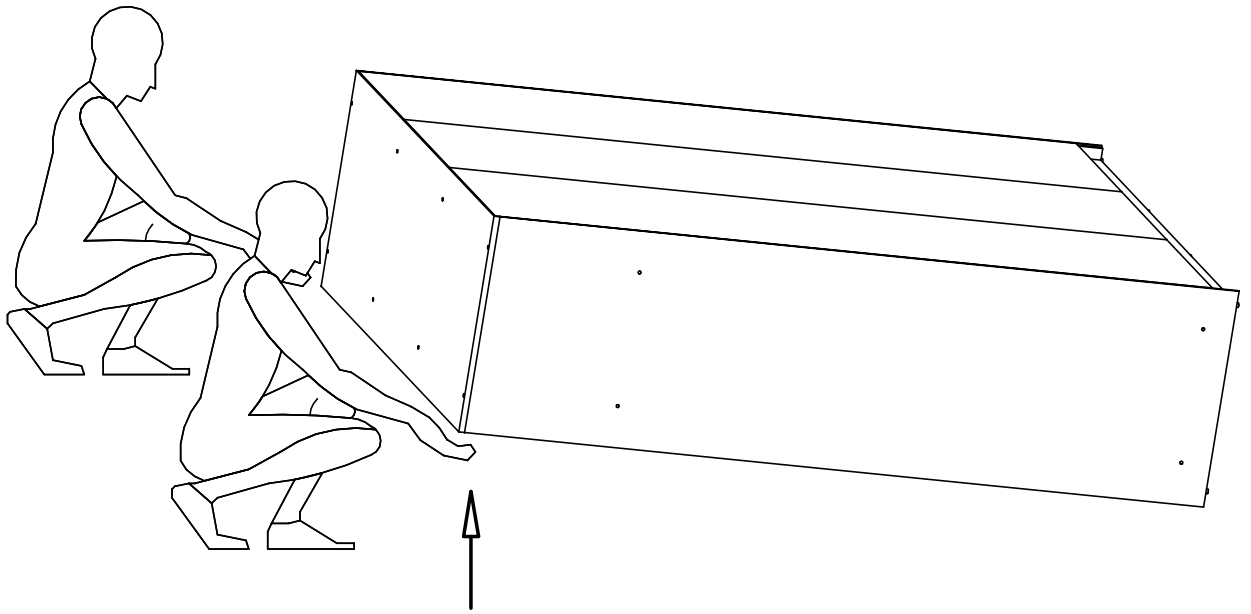
WYMIARY ELEMENTÓW
 PART GUIDE
 MASSE DER BAUTEILE

No.	L[mm]	W[mm]	T[mm]	Stc.	Colli
1	575	1470	16	1	2/3
2	571	1438	16	1	2/3
3	1980	575	16	1	1/3
4	1980	575	16	1	1/3
5	1894	571	16	1	1/3
6	552	945	16	1	2/3
7	552	475	16	1	2/3
8	473	571	16	1	2/3
9	612	571	16	1	2/3
10	70	1438	16	2	2/3

No.	L[mm]	W[mm]	T[mm]	Stc.	Colli
11	552	475	16	3	2/3
12	1920	481	3	2	1/3
13	1920	492	3	1	1/3
14	120	450	16	3	2/3
15	120	450	16	3	2/3
16	100	398	16	3	2/3
17	458	412	3	3	1/3
18	199	451	16	3	3/3
19	1888	469	16	1	3/3
20	1260	469	16	1	3/3
21	1888	469	16	1	3/3

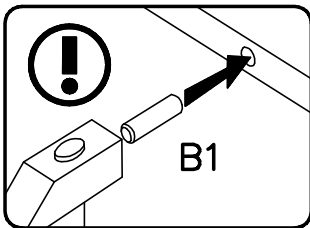
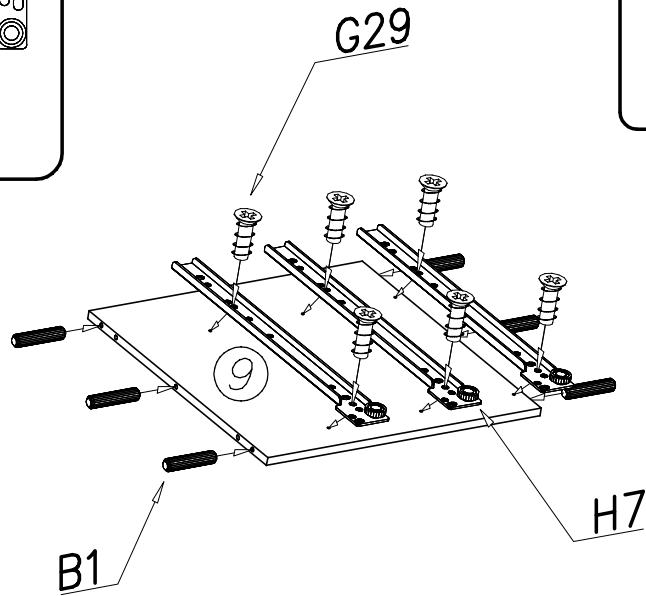
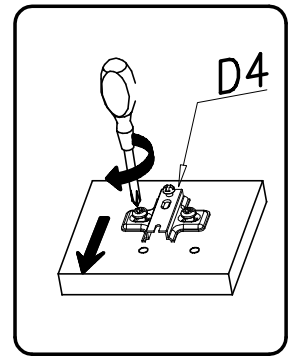
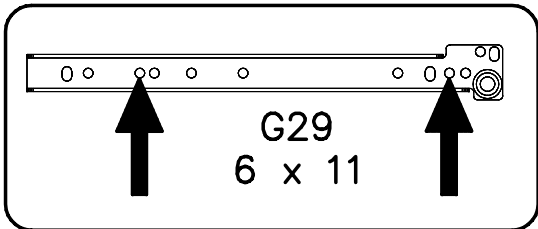
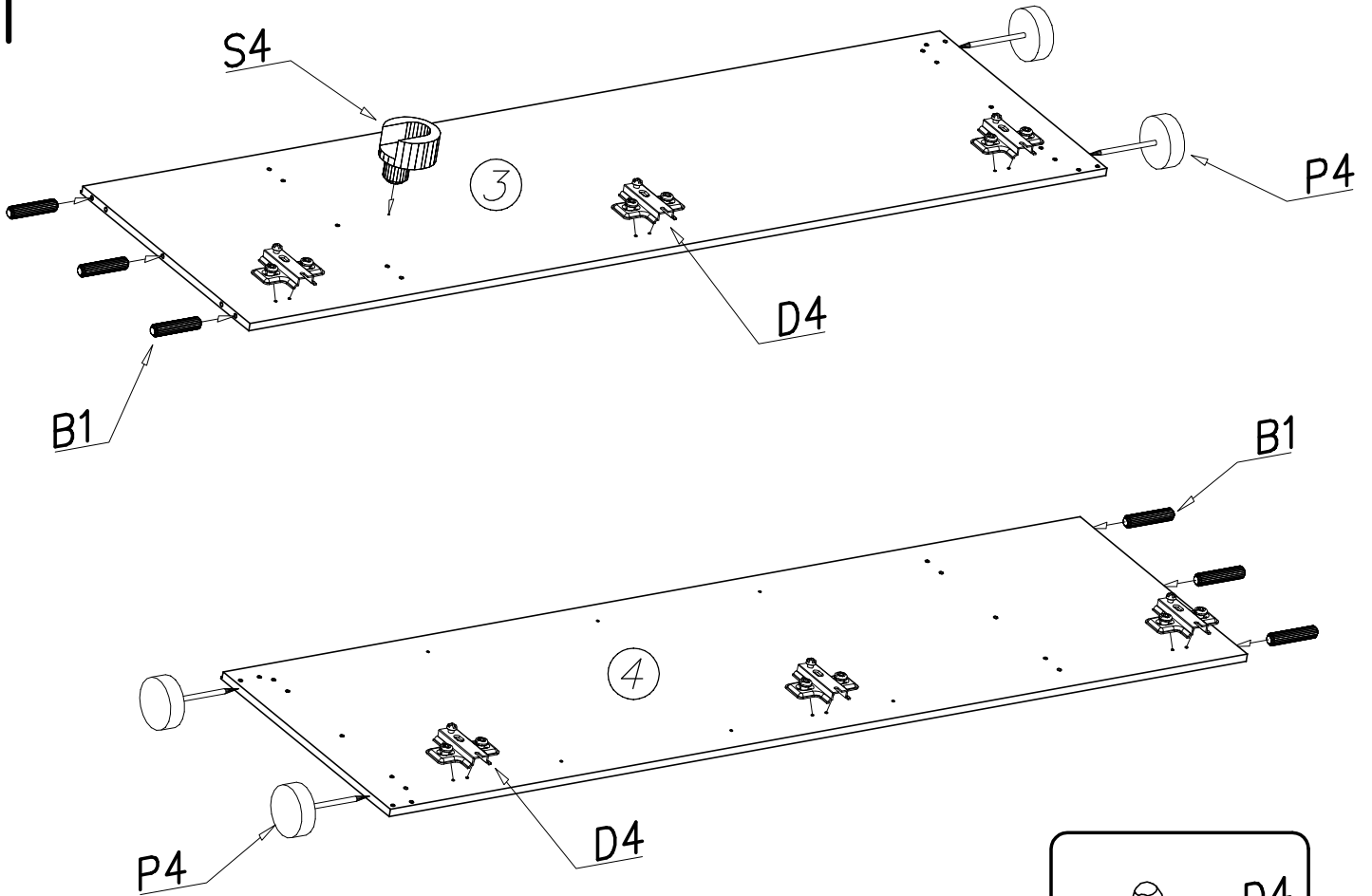


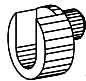



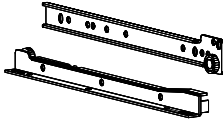

W1  x...(1)	G8  4x30 x...(12)	S1  x...(1)			
H7  x...(3)	A1  Ø7x50 x...(32)	F1  x...(12)	C4  Z350D x...(9)	D4  PZ350D x...(9)	E6  x...(6)
	G4  4x16 x...(18)	G29  6x11 x...(12)	S5  x...(1)	G6  3x13 x...(12)	I9  x...(32)
S4  x...(2)	B1  Ø8x35 x...(69)	S17  x...(12)	W2  x...(1)	P4  x...(8)	W4  x...(100)



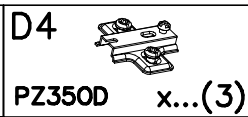
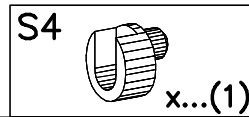
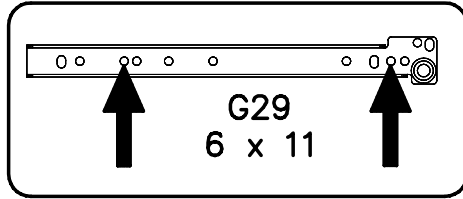
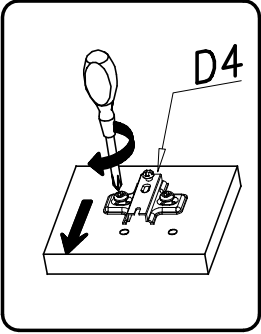
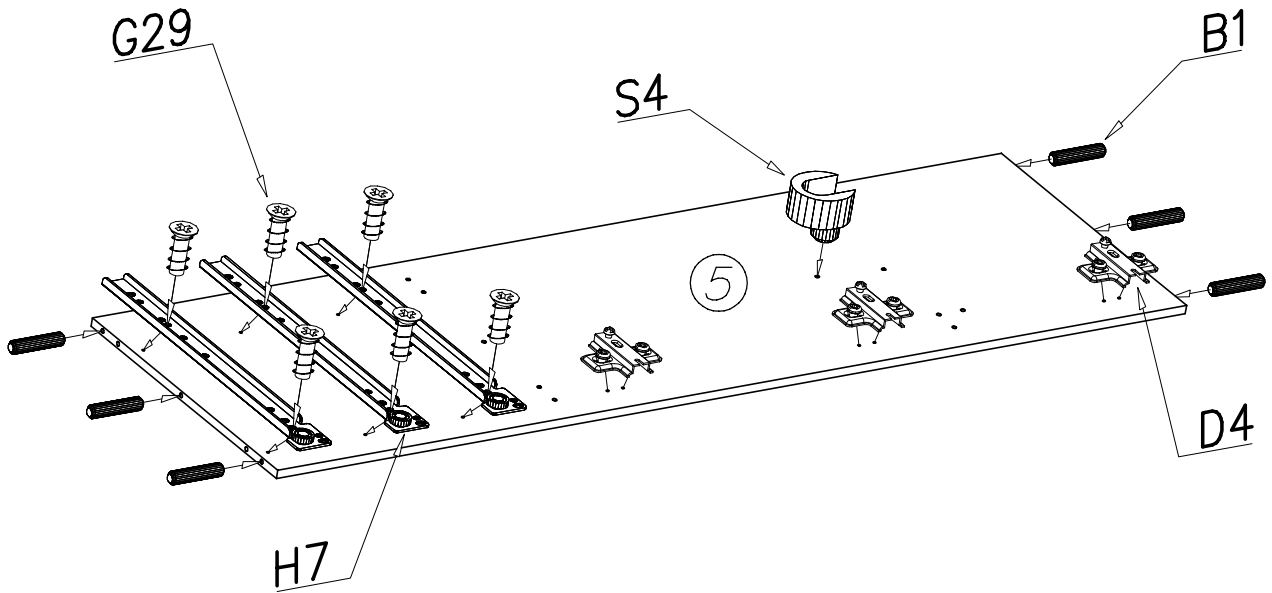
P4		x...(4)
B1		x...(33)


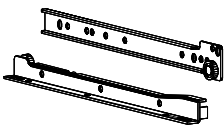
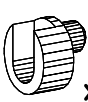

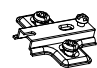
II



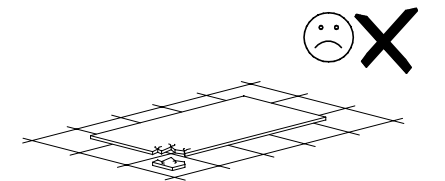
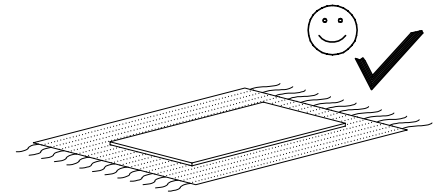
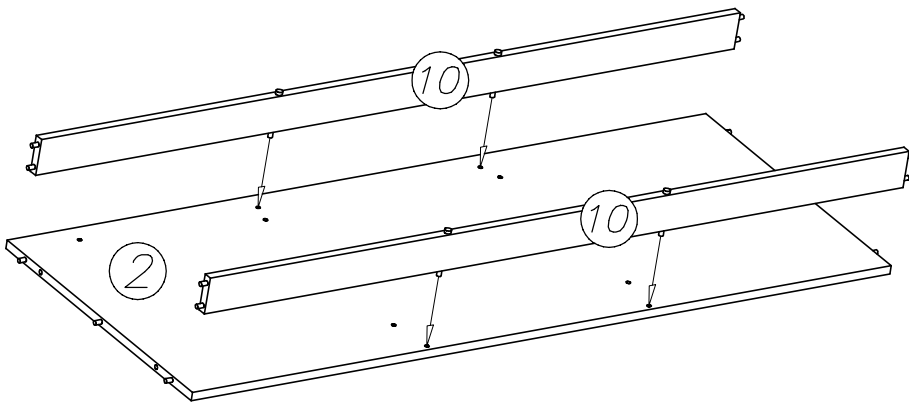
S4		x...(1)	P4		x...(4)	D4		x...(6)	G29		x...(6)	H7		x...(3)
						PZ350D			B1		x...(12)			

III



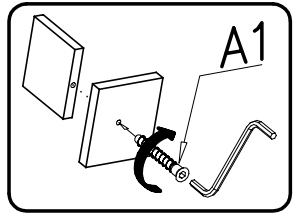
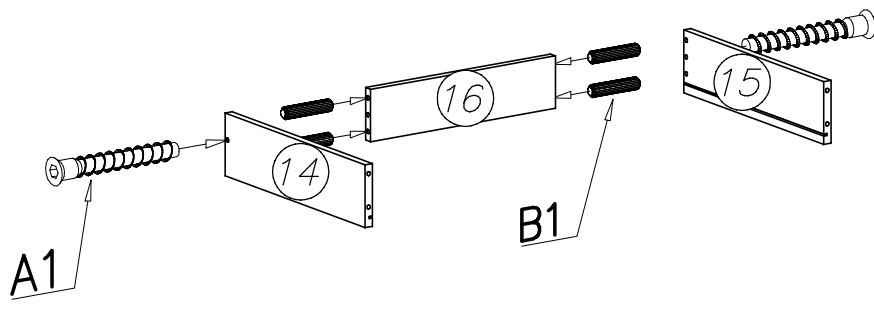
G29 6x11 x...(6)		H7 x...(3)	
S4 x...(1)		B1 ø8x35 x...(6)	
		D4 PZ350D x...(3)	

IV

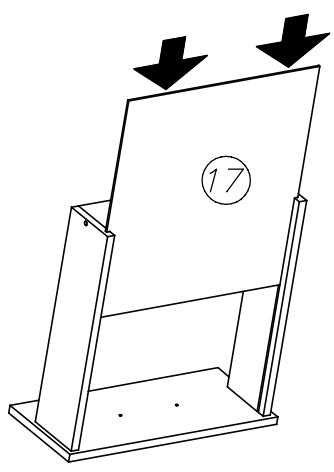


V

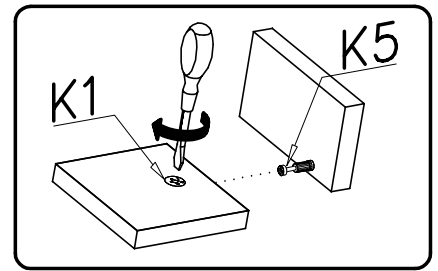
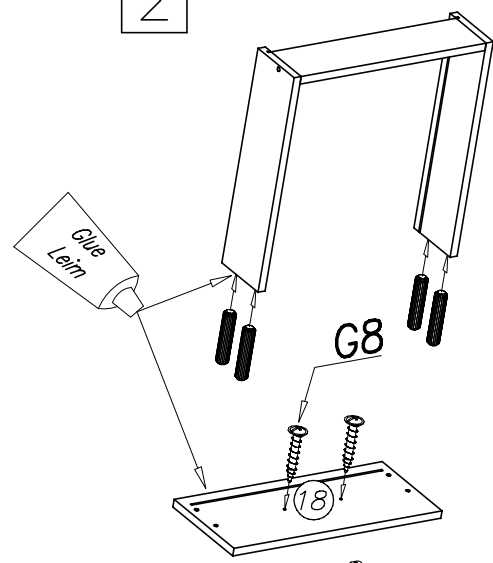
1



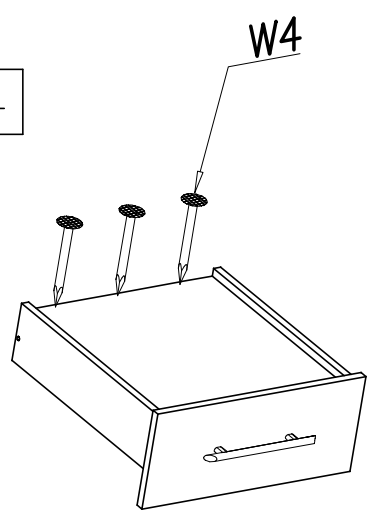
3



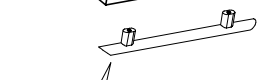
2



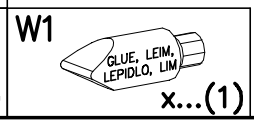
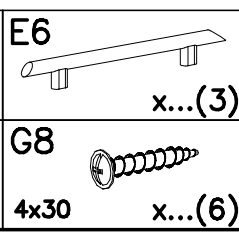
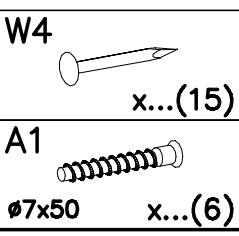
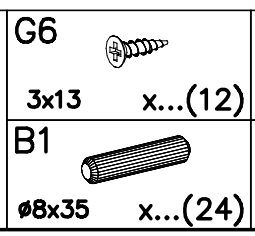
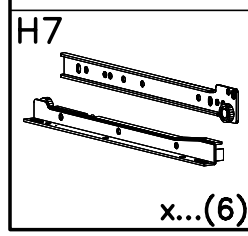
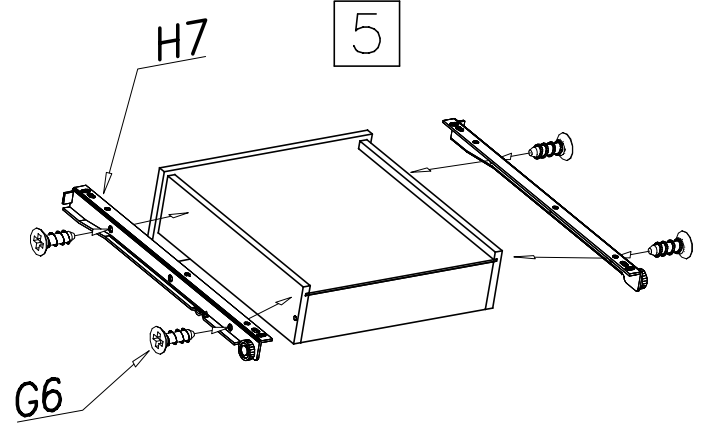
4



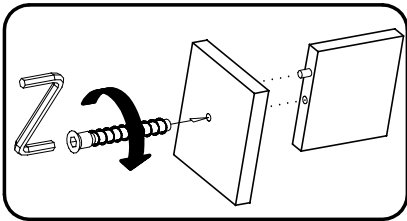
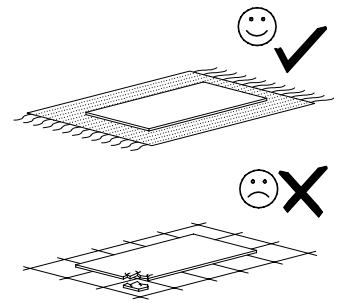
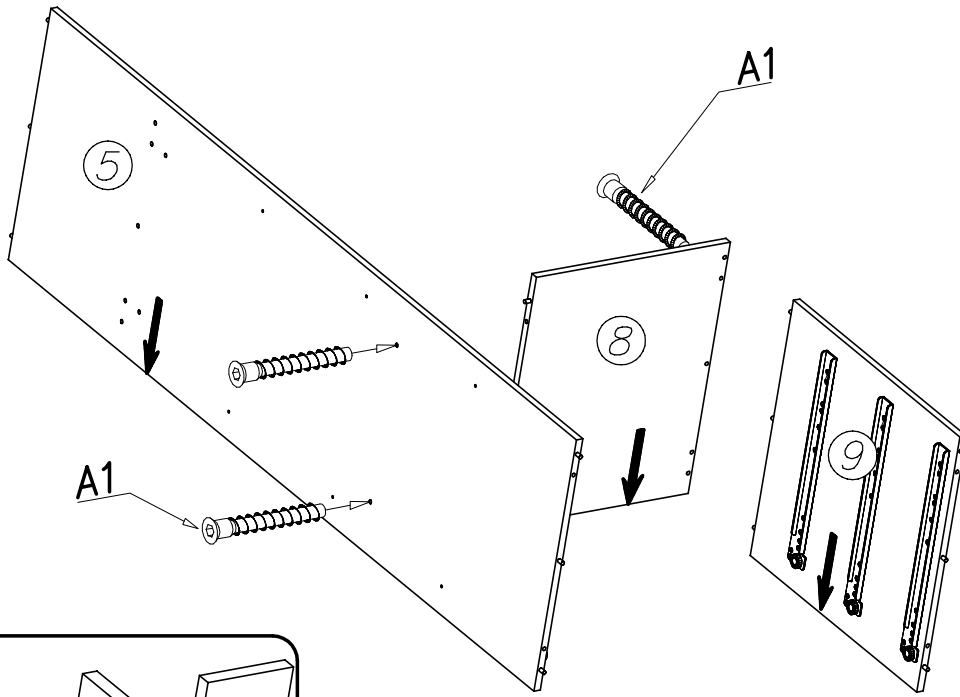
E6

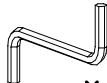



5

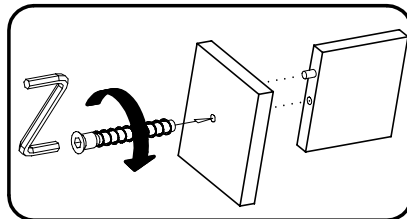
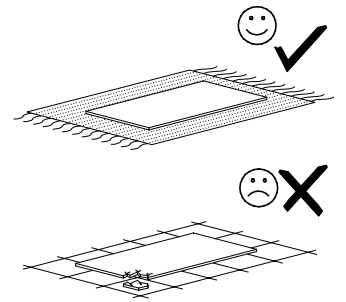
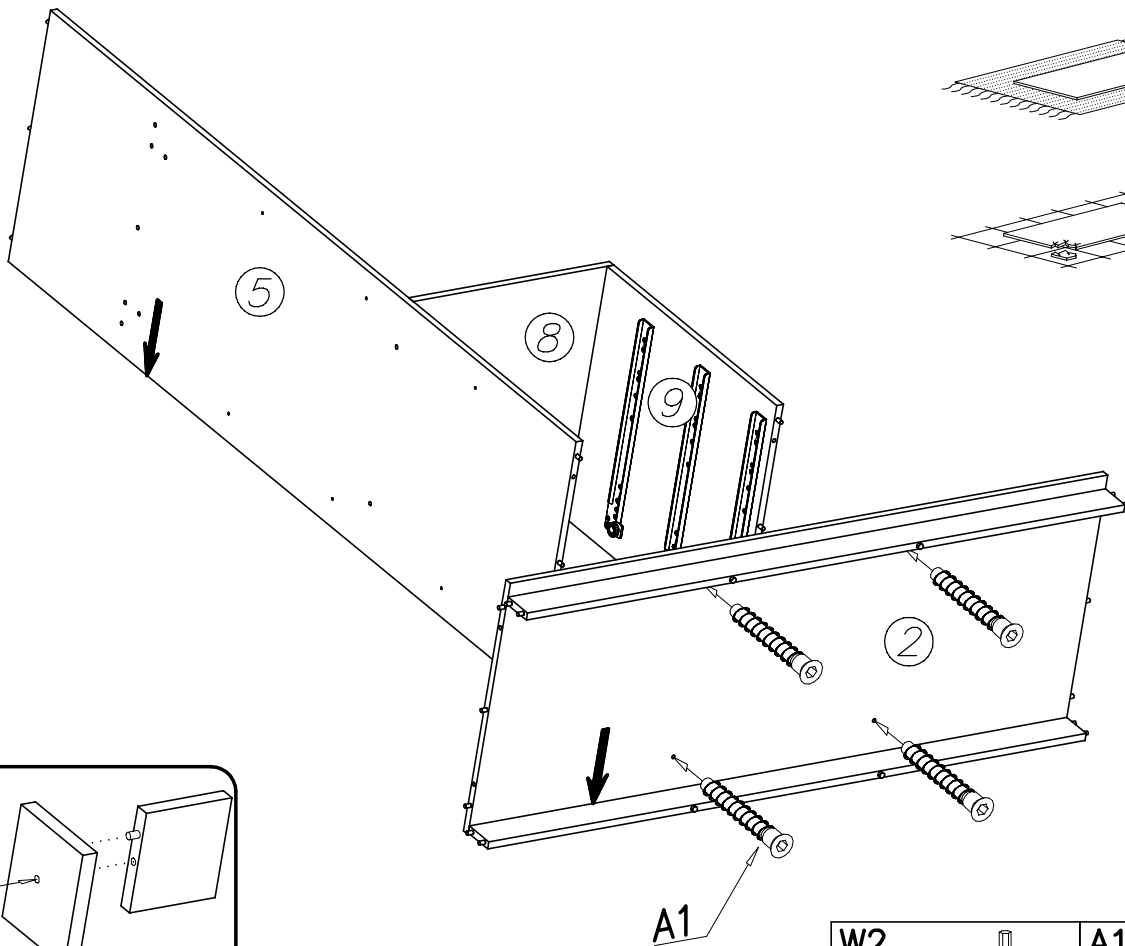


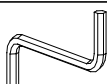

VI



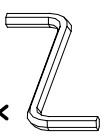

W2		A1	
	x...(1)	ø7x50	x...(4)

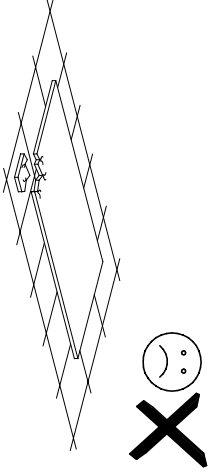
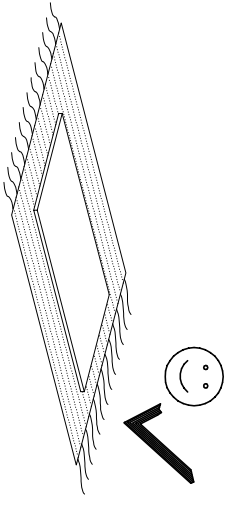
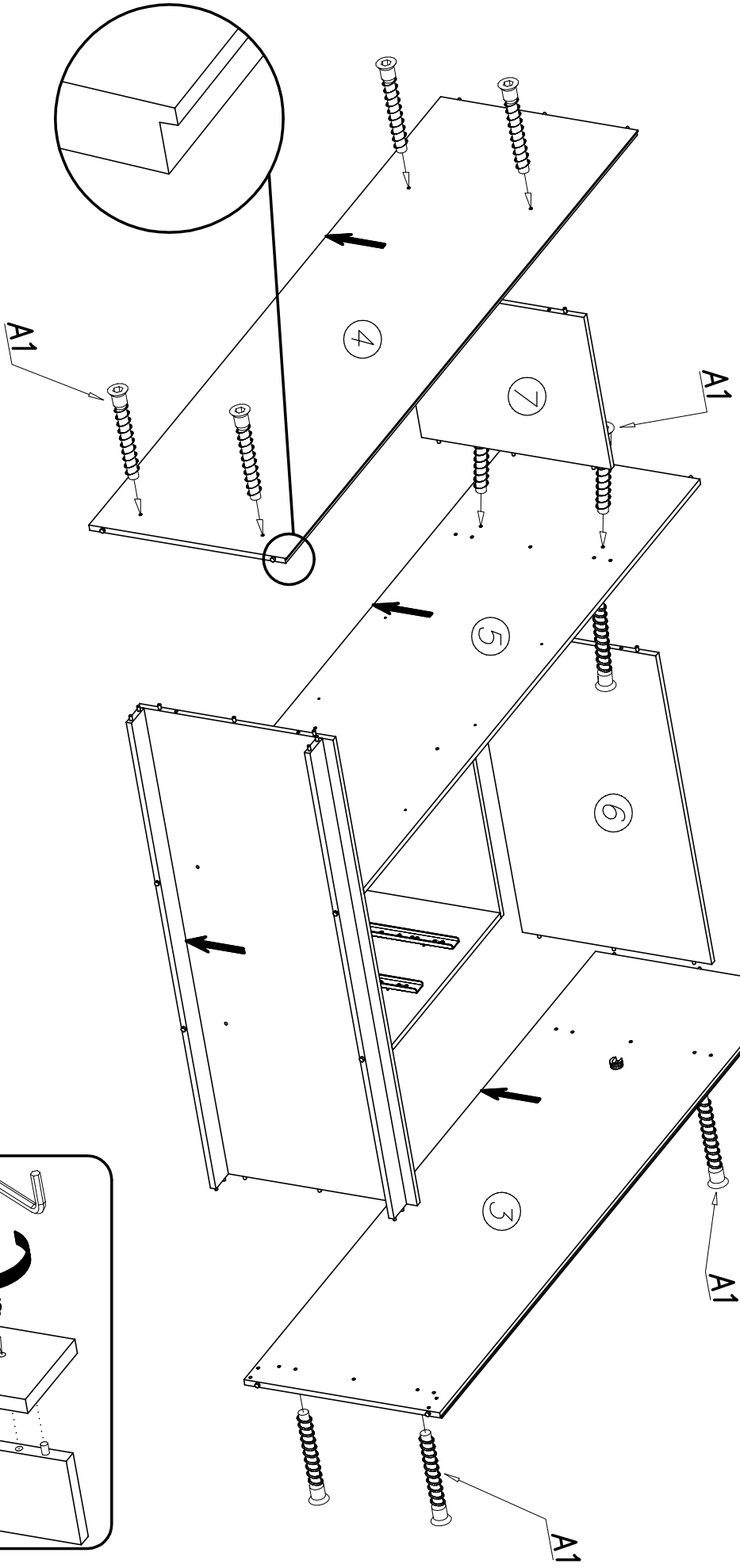
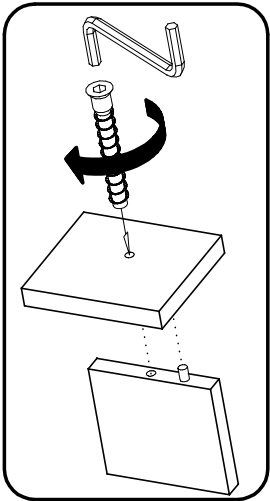
VII



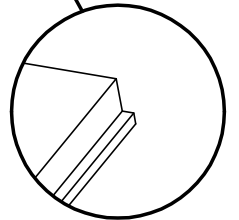
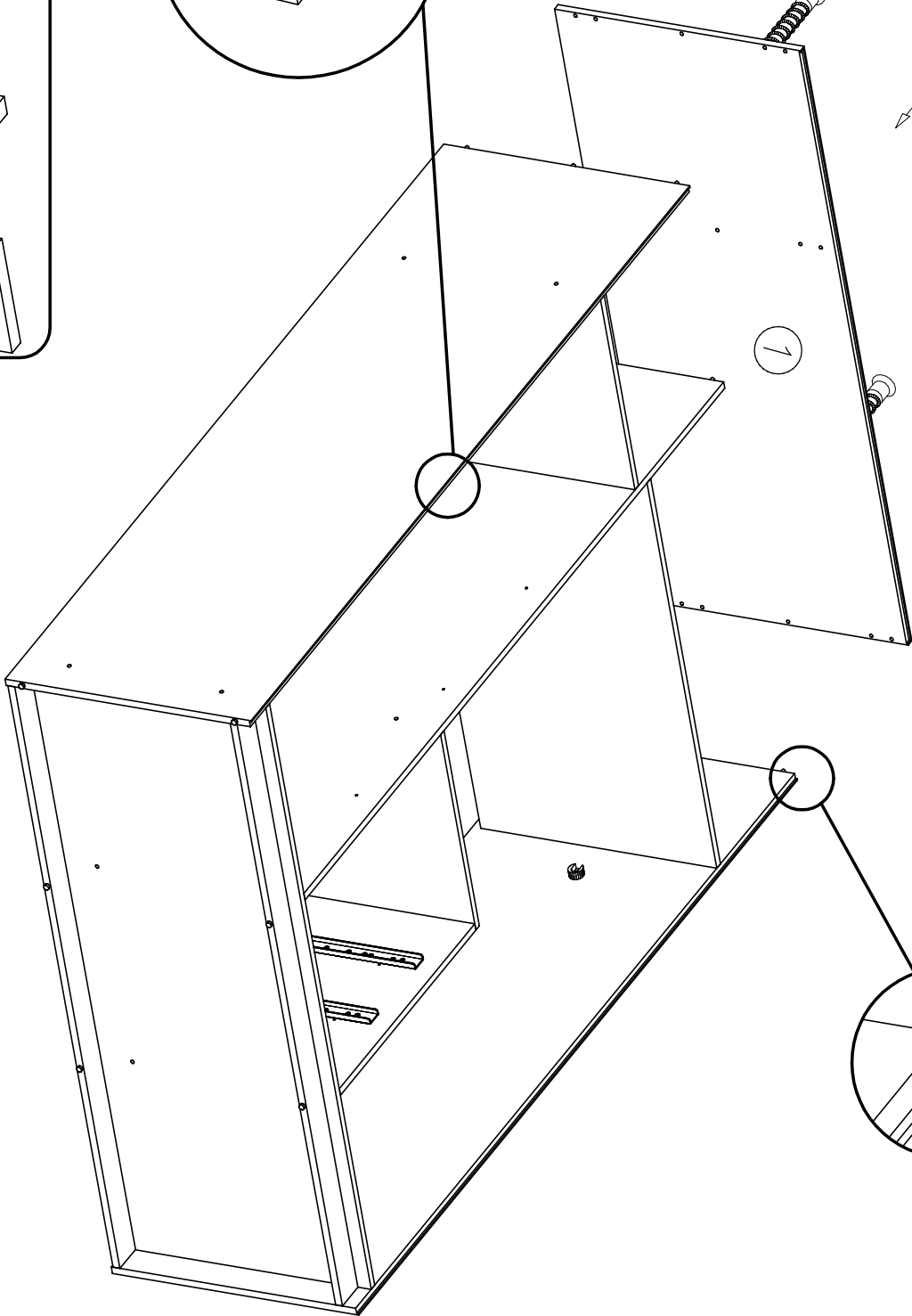
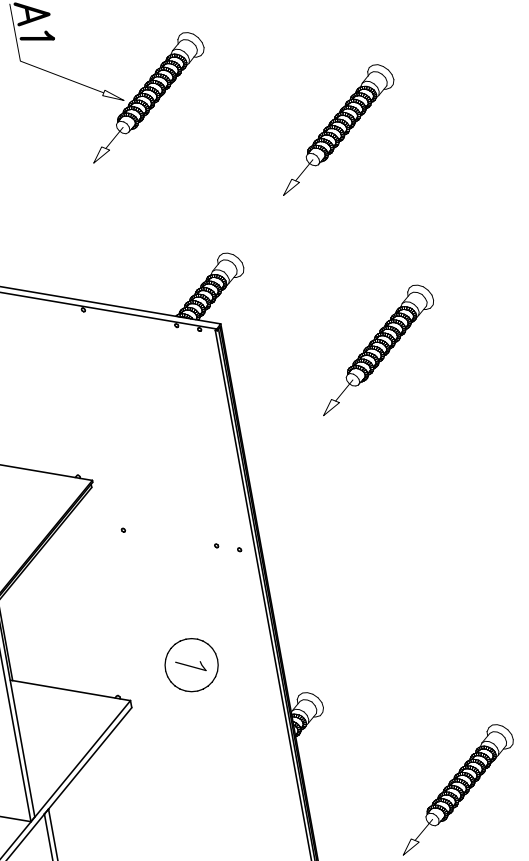
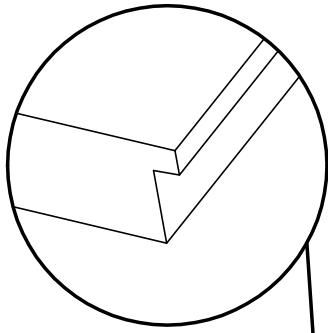
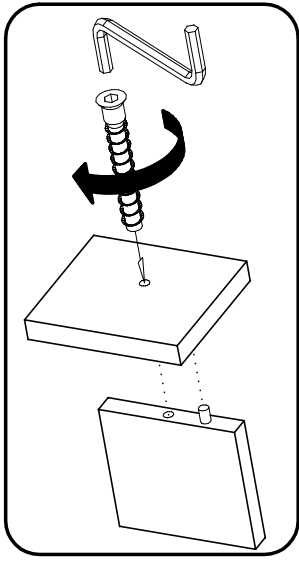
W2		A1	
	x...(1)	ø7x50	x...(4)

VIII

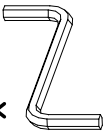
 <p>W2 x...(1)</p>	 <p>A1 Ø7x50 x...(12)</p>
---	---



IX

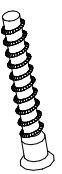


W2



x...(1)

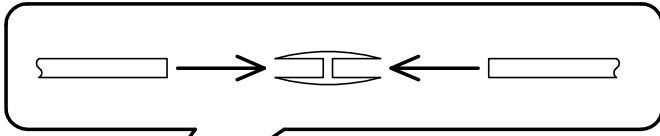
A1



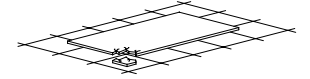
ø7x50

x...(6)

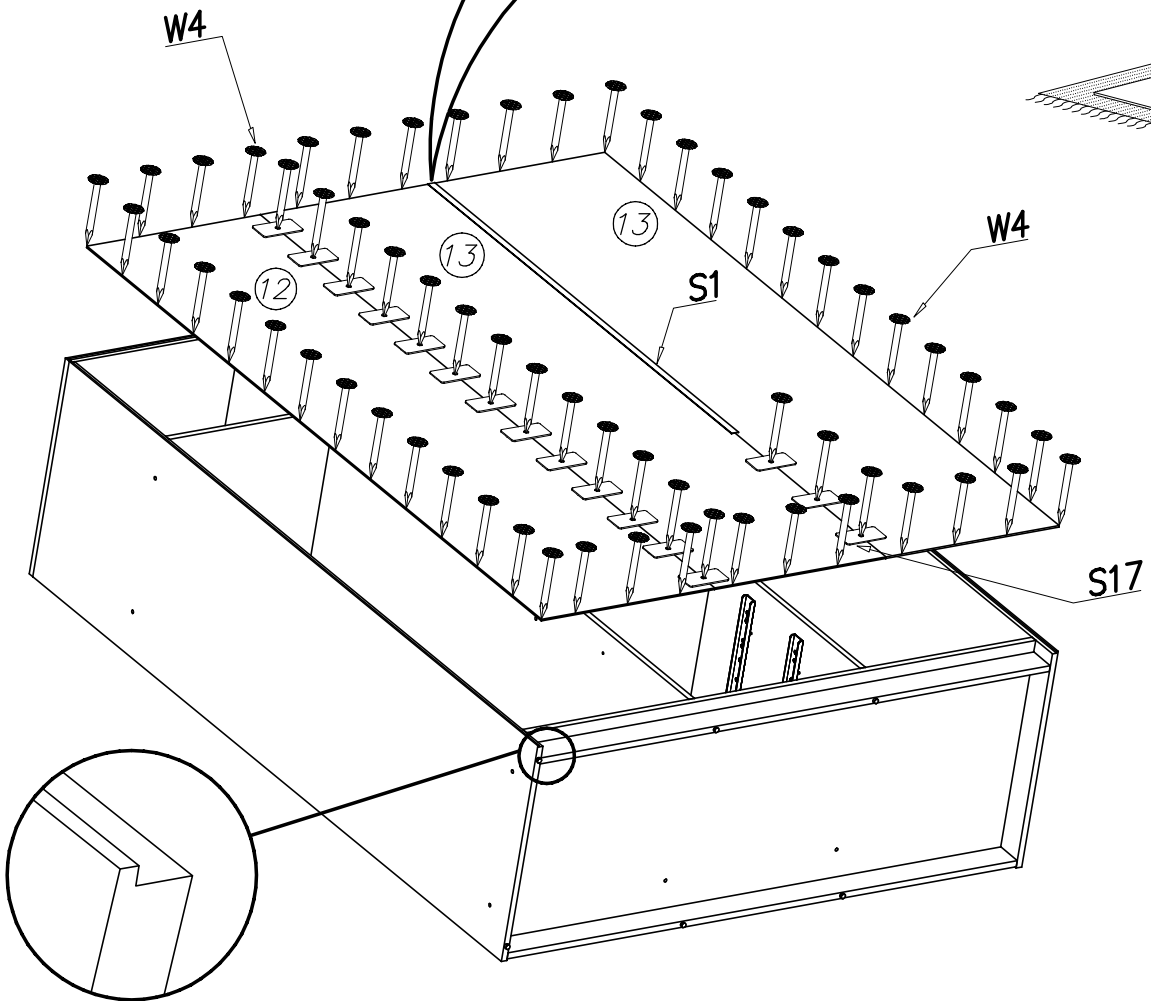
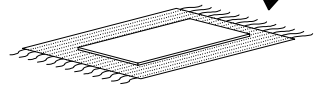
X



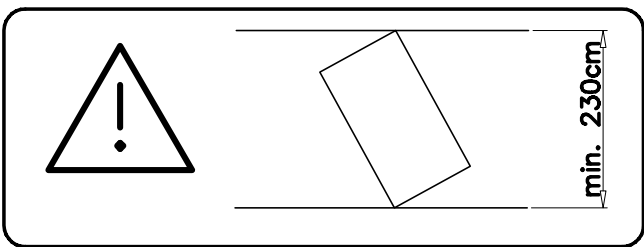
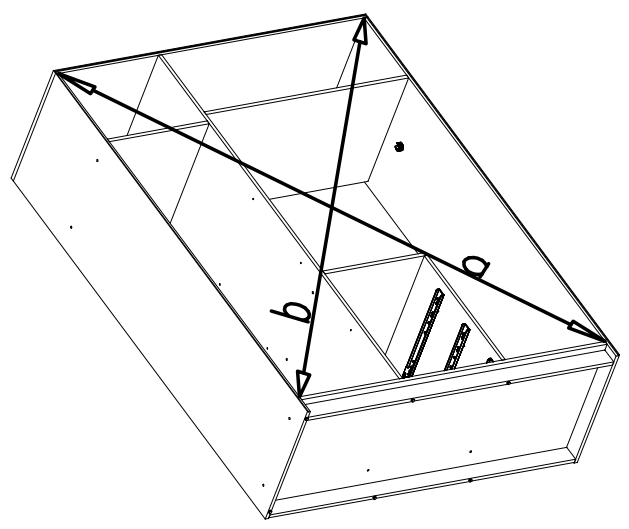
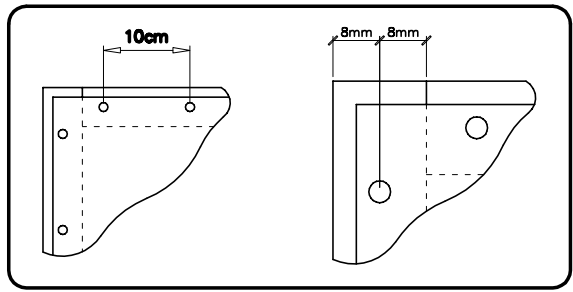
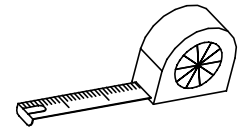
☹ X


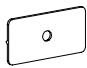



☺ ✓

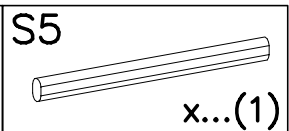
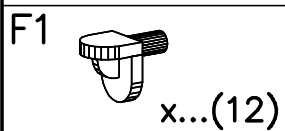
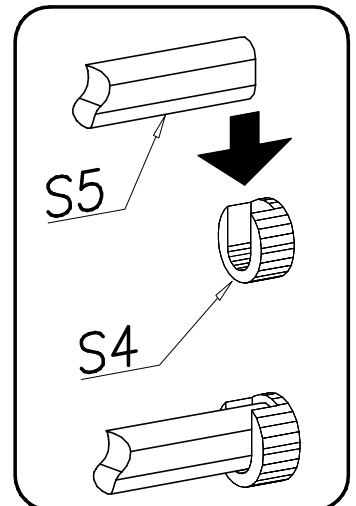
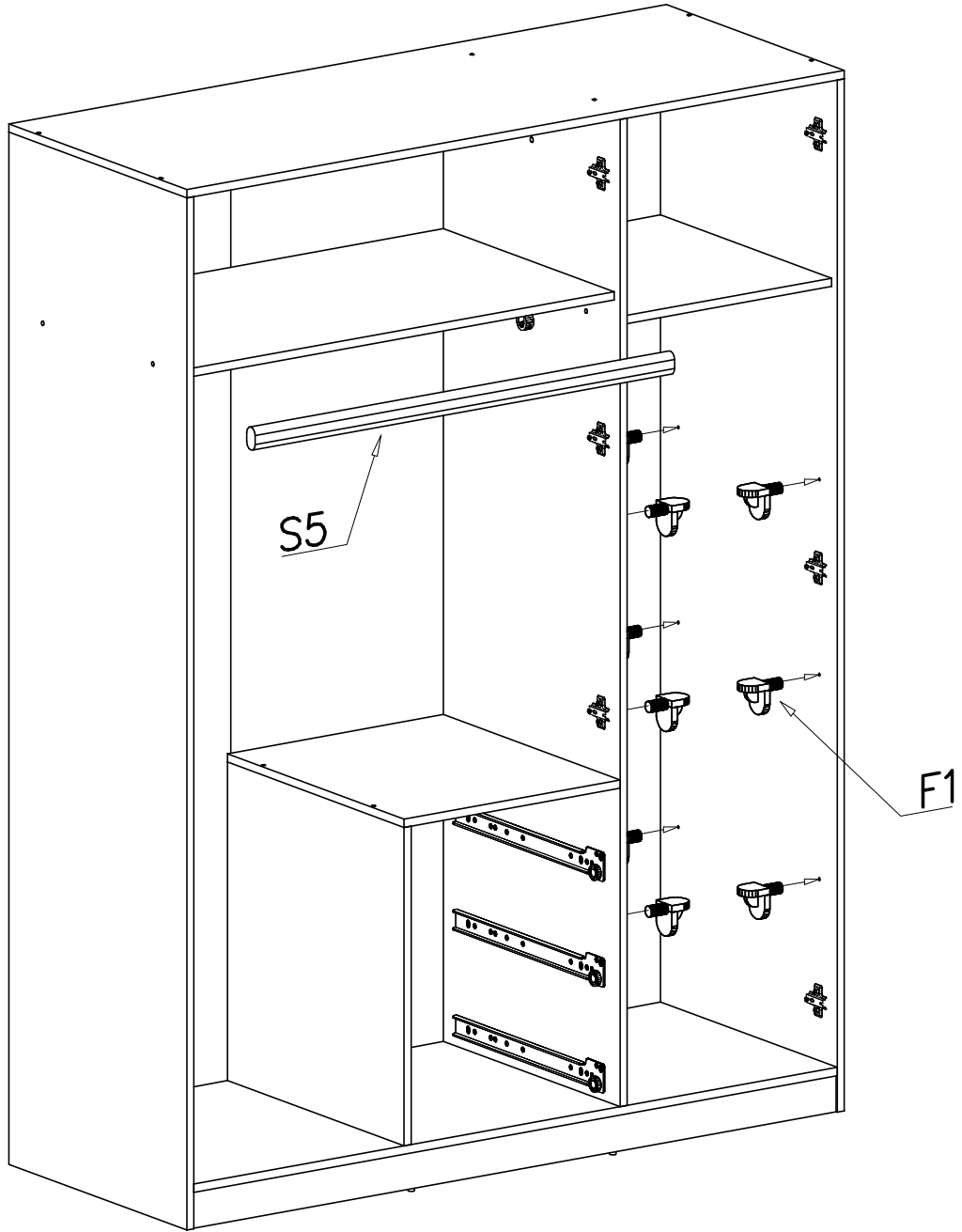


$a = b$

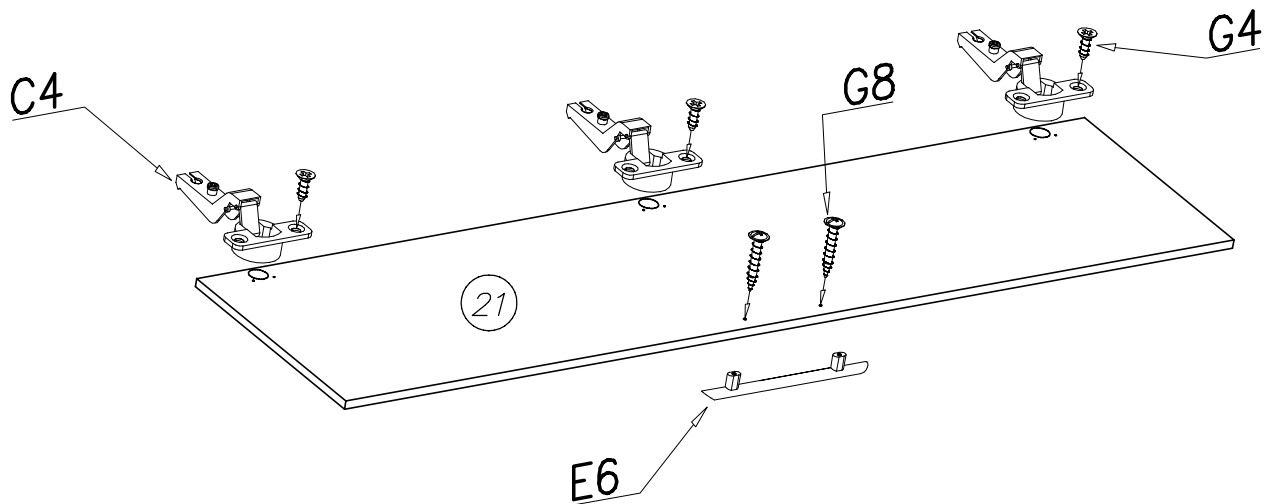
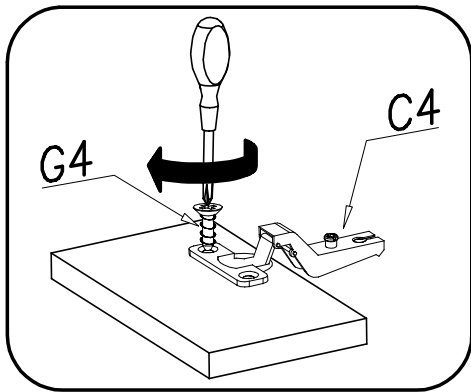
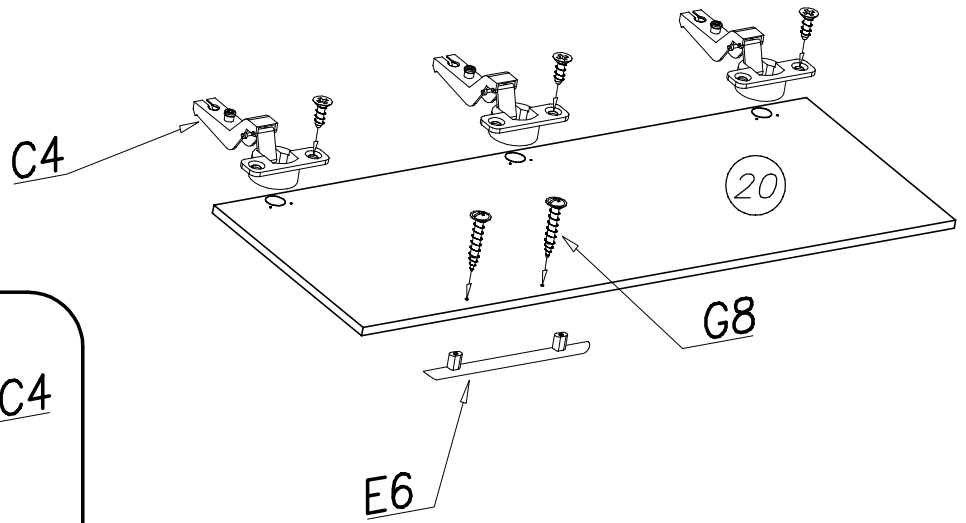
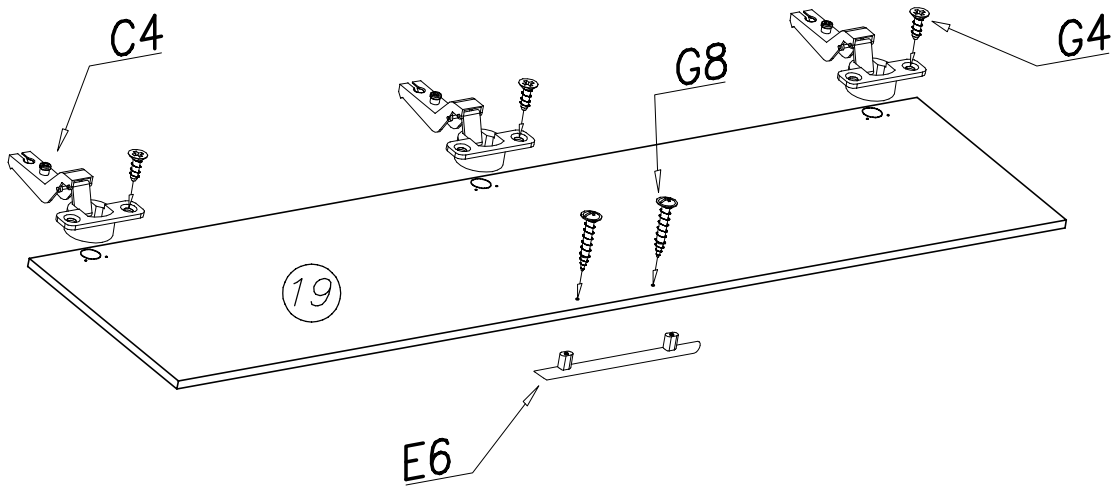



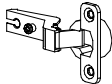
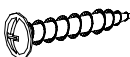

<p>S1</p>  <p>x...(1)</p>	<p>S17</p>  <p>x...(12)</p>	<p>W4</p>  <p>x...(85)</p>
---	--	---

XI

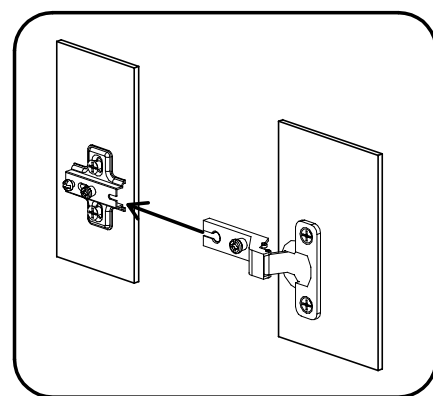
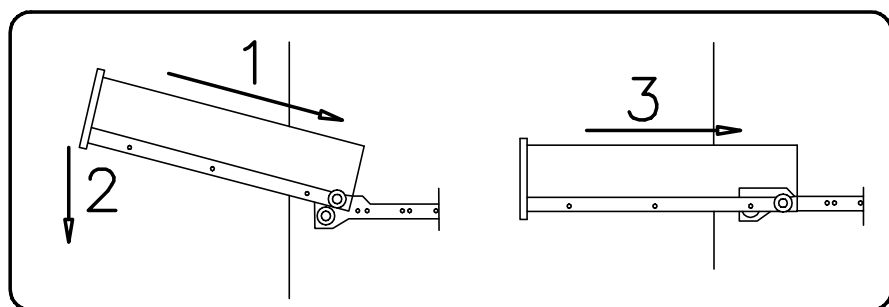
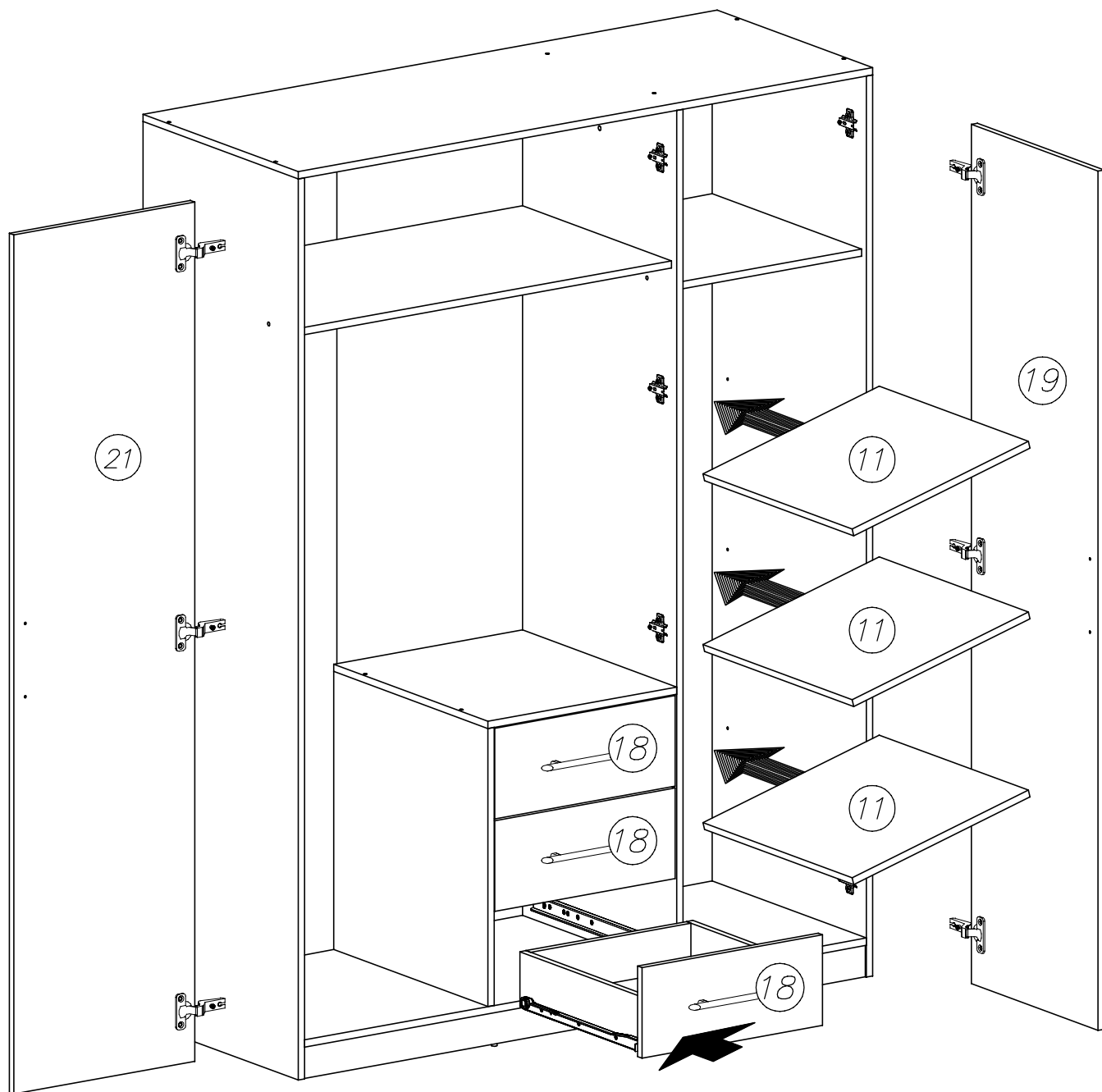


XII



G4		C4		G8		E6	
4x16	x...(18)	Z350D	x...(9)	4x30	x...(6)		x...(3)

XIII



XIV

