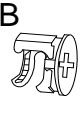

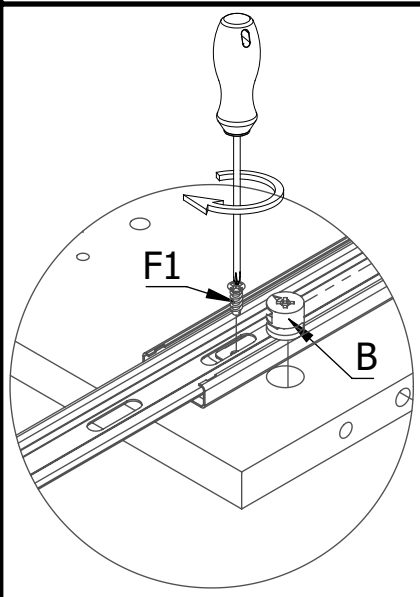
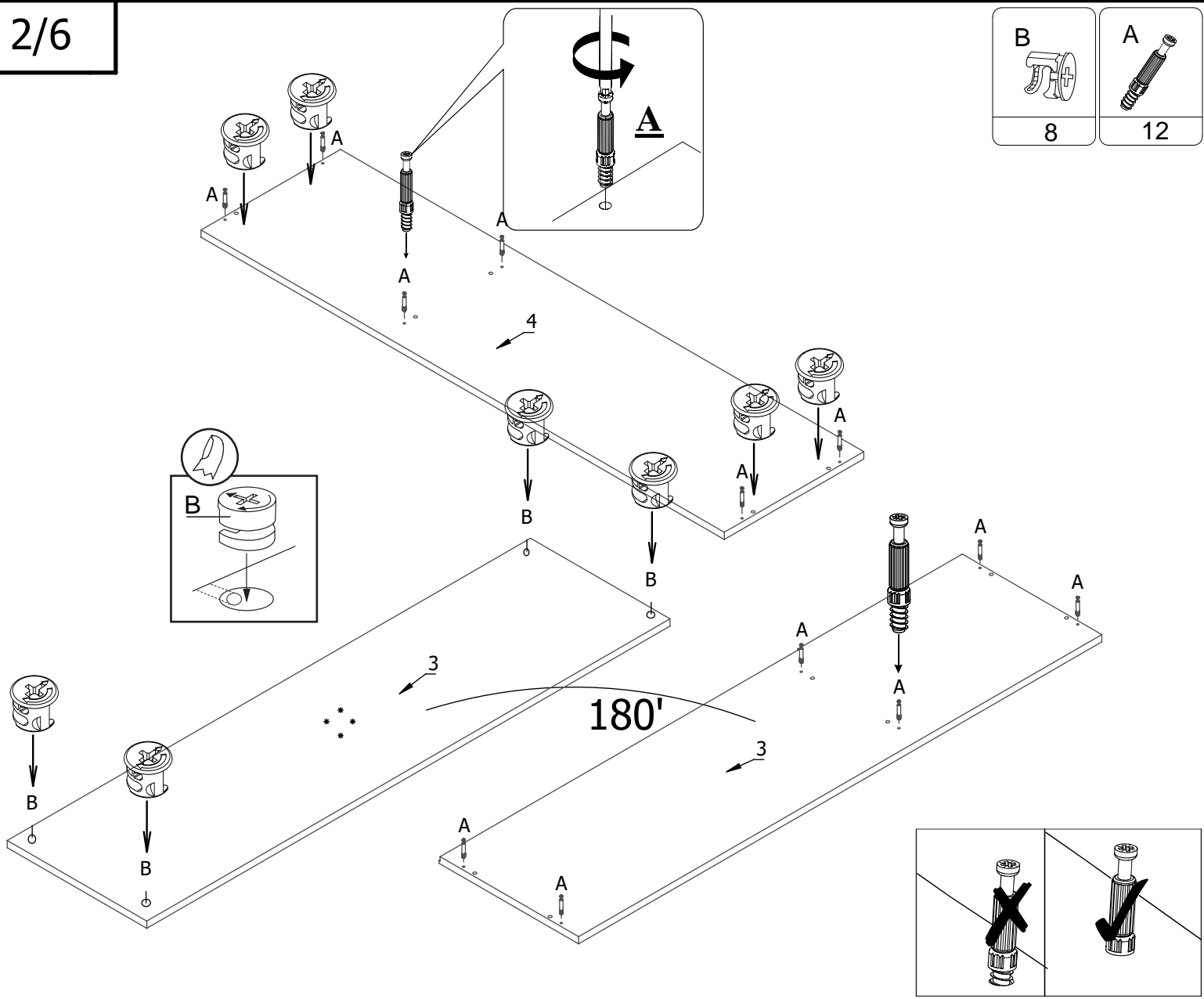
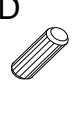

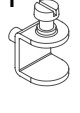


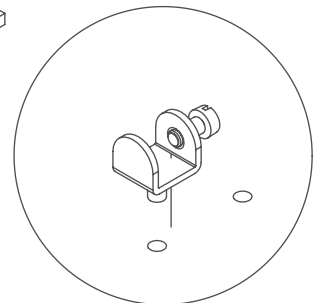
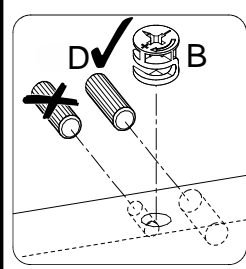
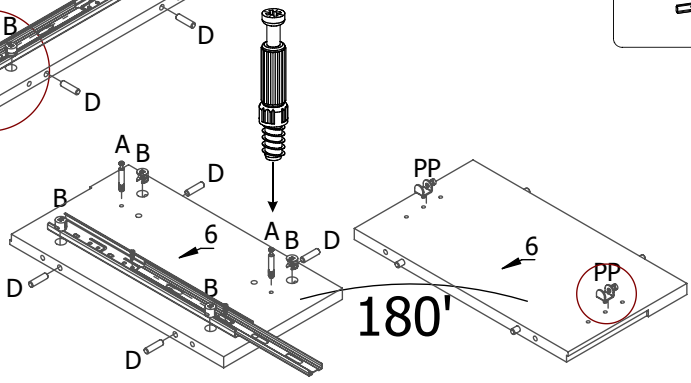
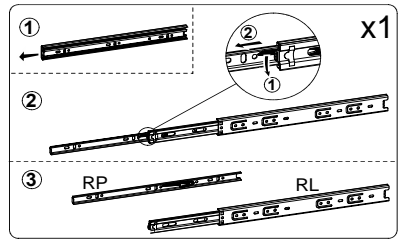
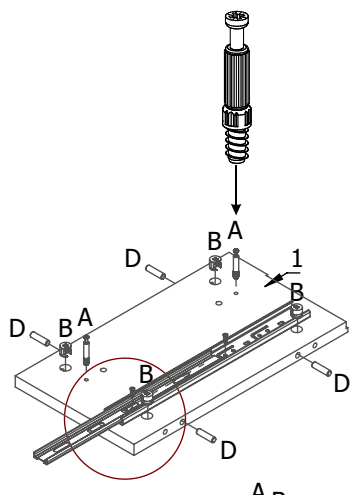
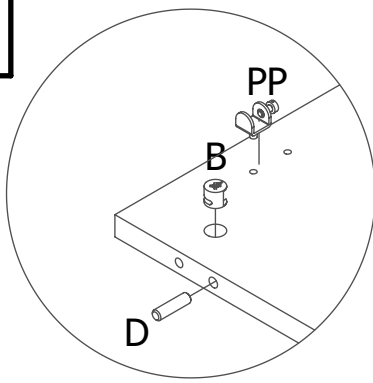


B 	A 
8	12



D 	B 	PP 	F1  5x13	A 
8	8	2	4	4

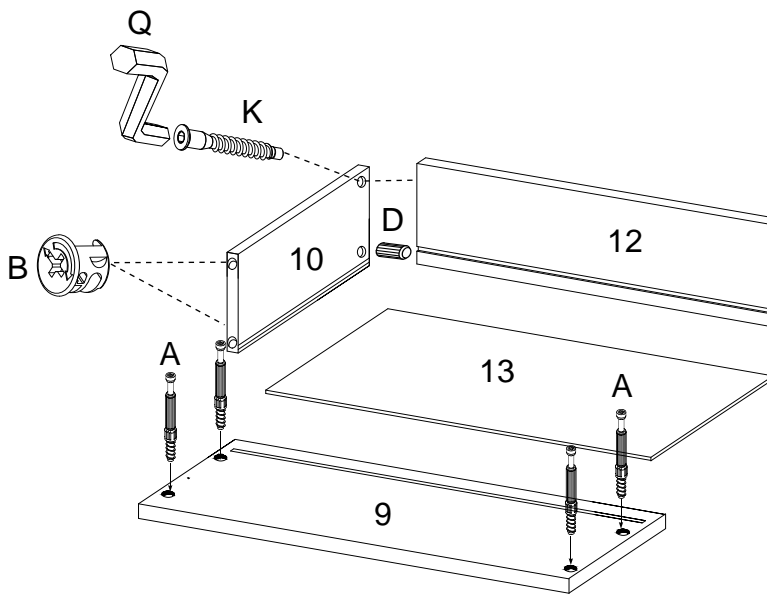
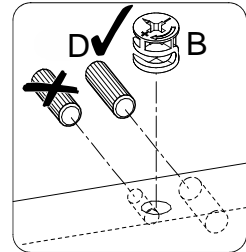
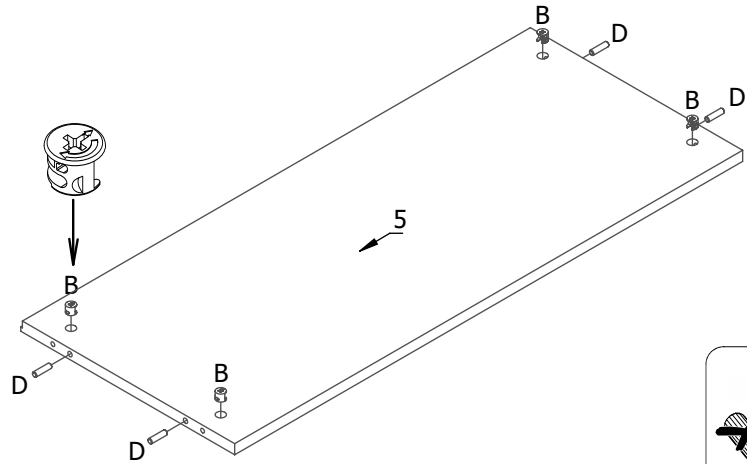
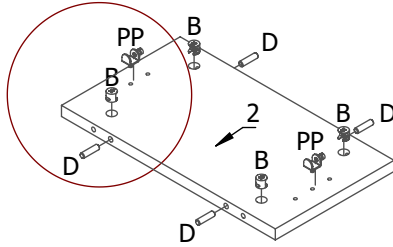




D
8

B
8

PP
2



K
2

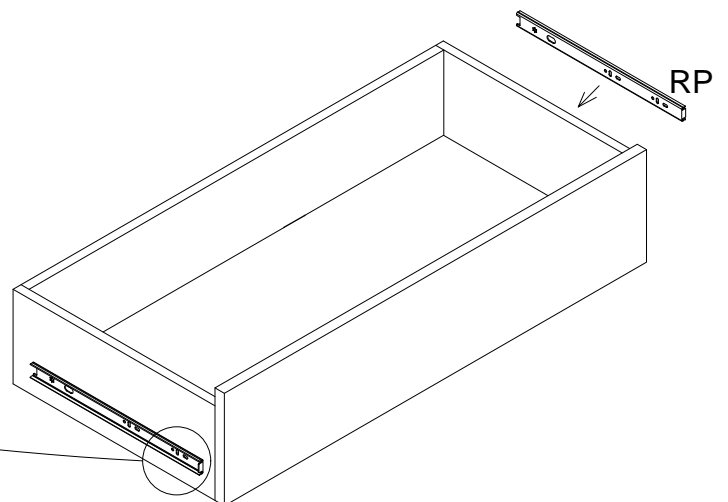
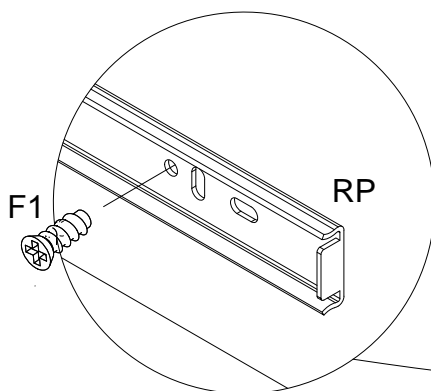
A
4

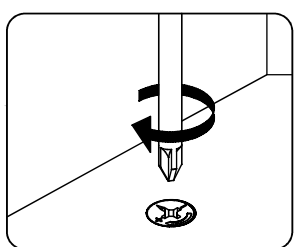
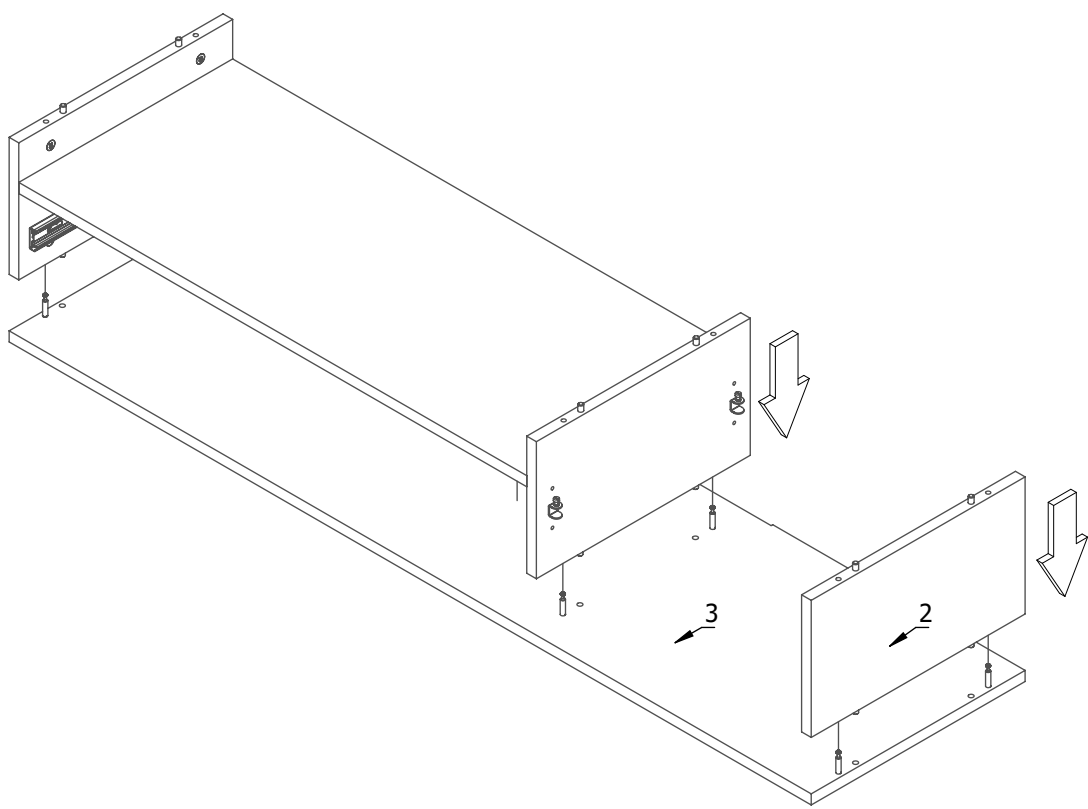
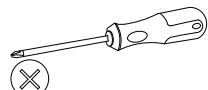
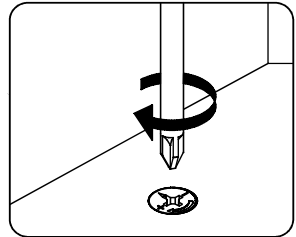
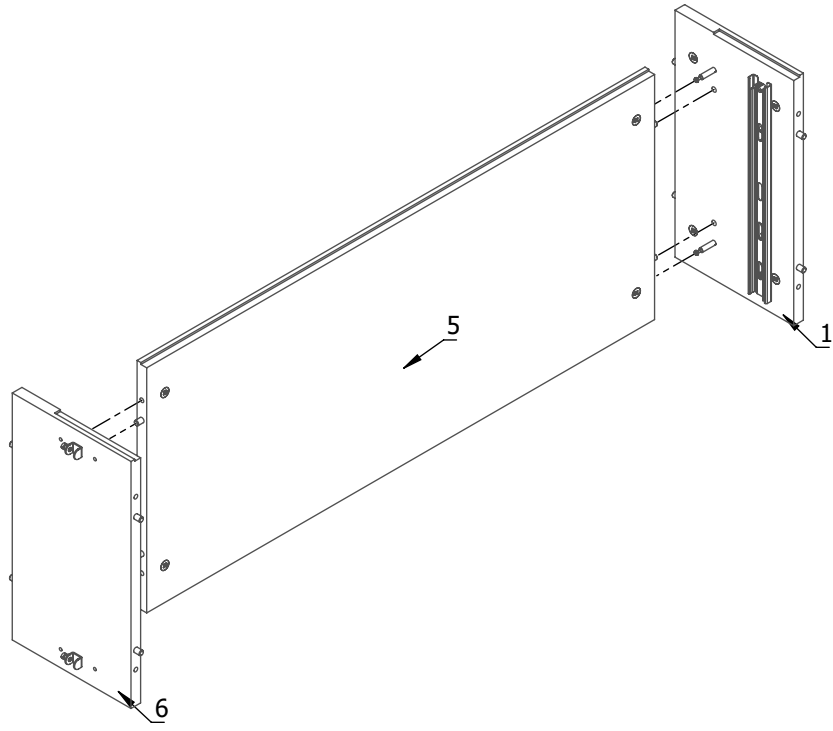
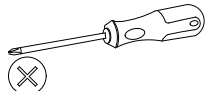
Q
1

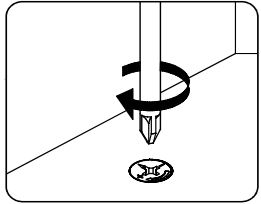
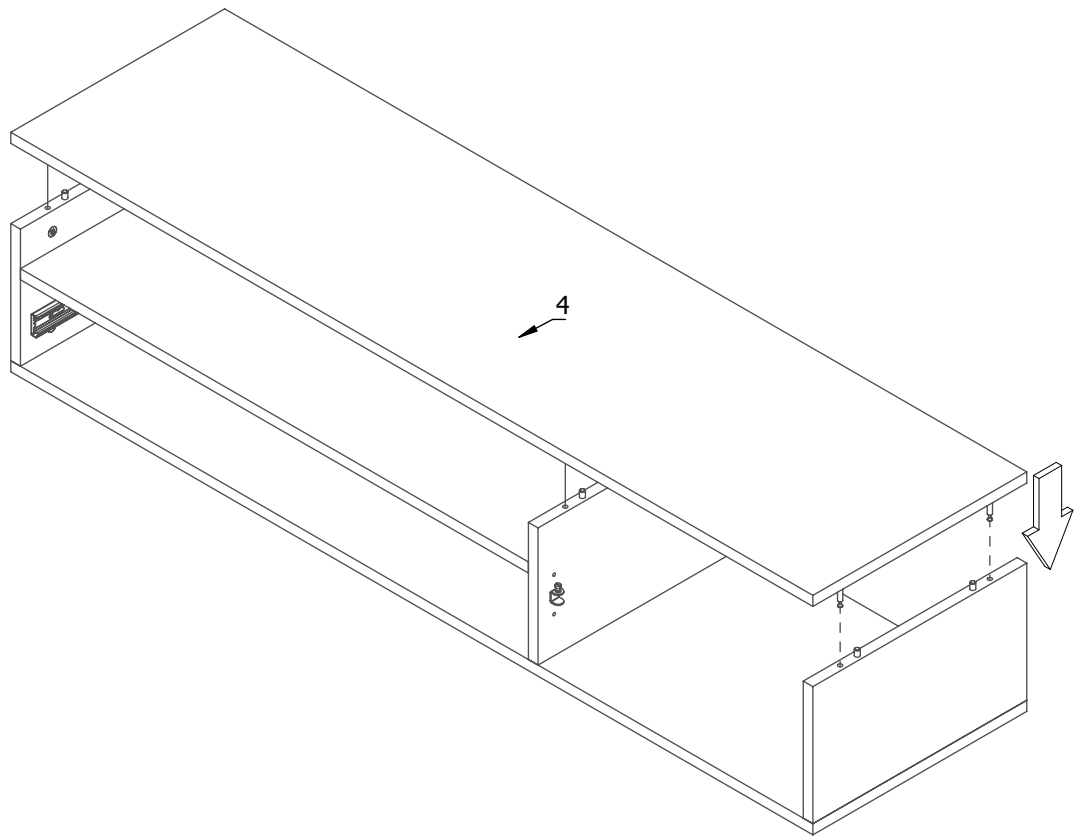
B
4

8x30
2

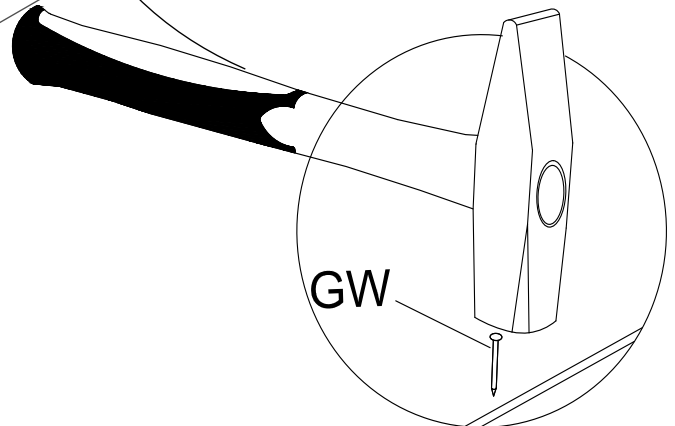
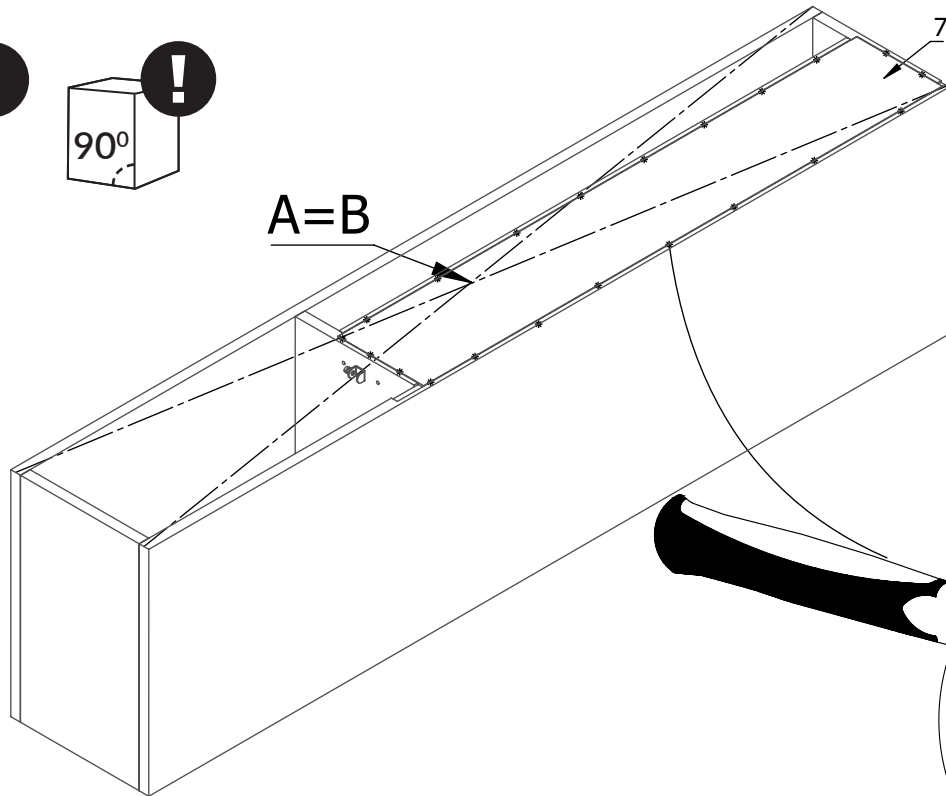
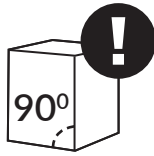
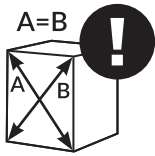
5.0x13
4






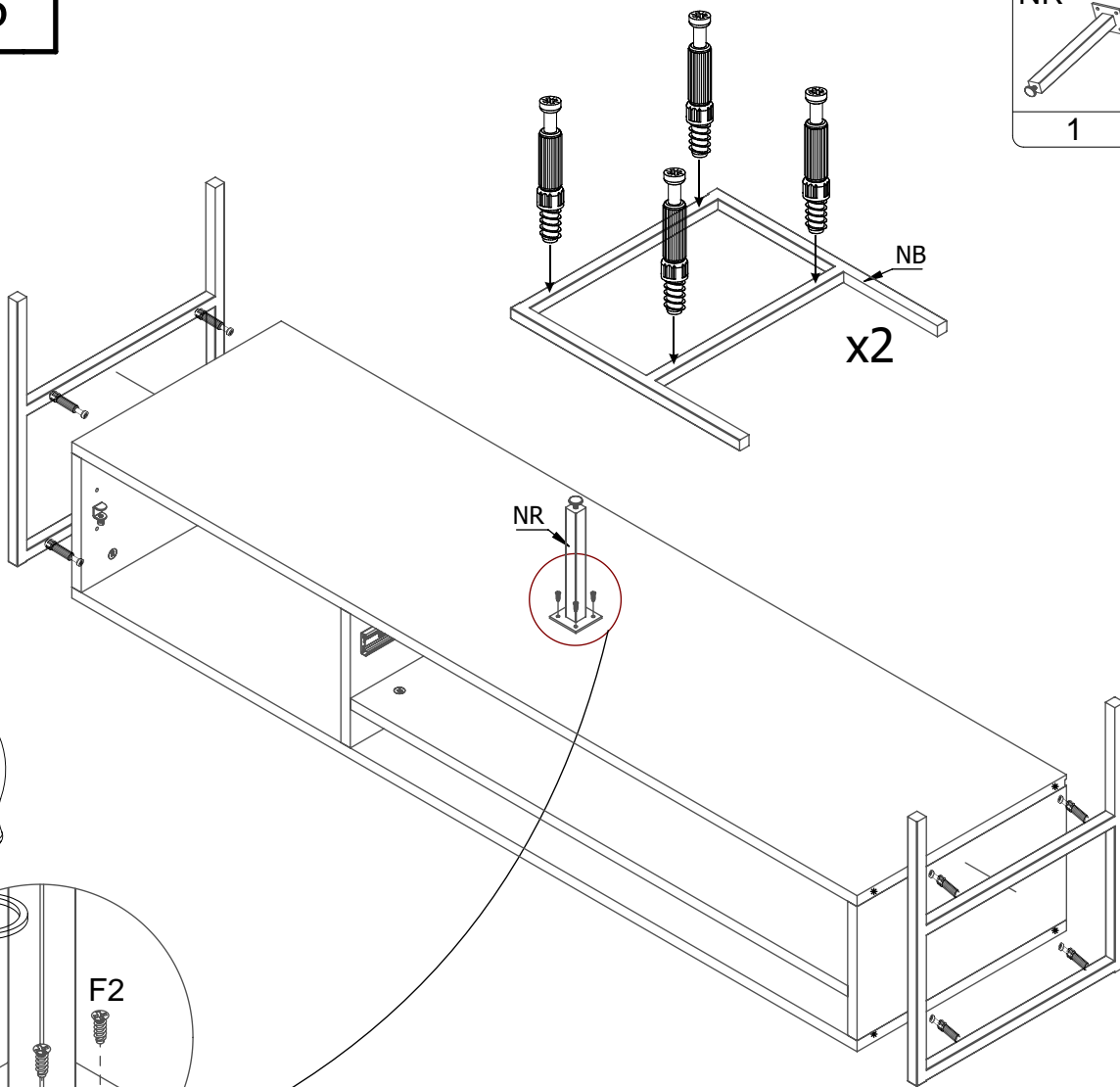






GW
20



NR  1	6,3x13  F2 4	A1  8
---	---	---



UM  1	M4  1
--	--

