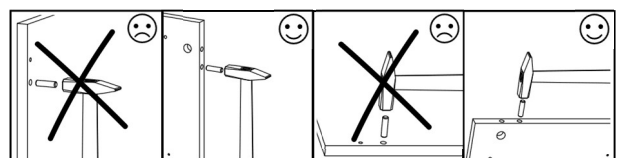
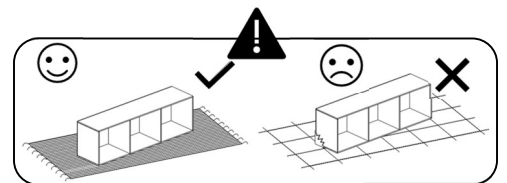
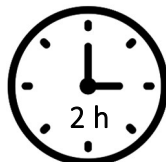
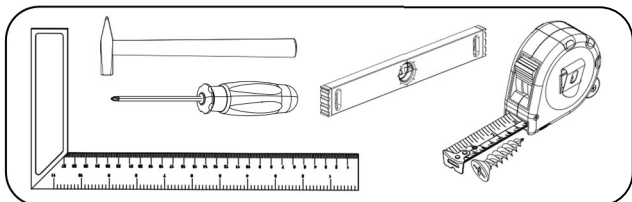
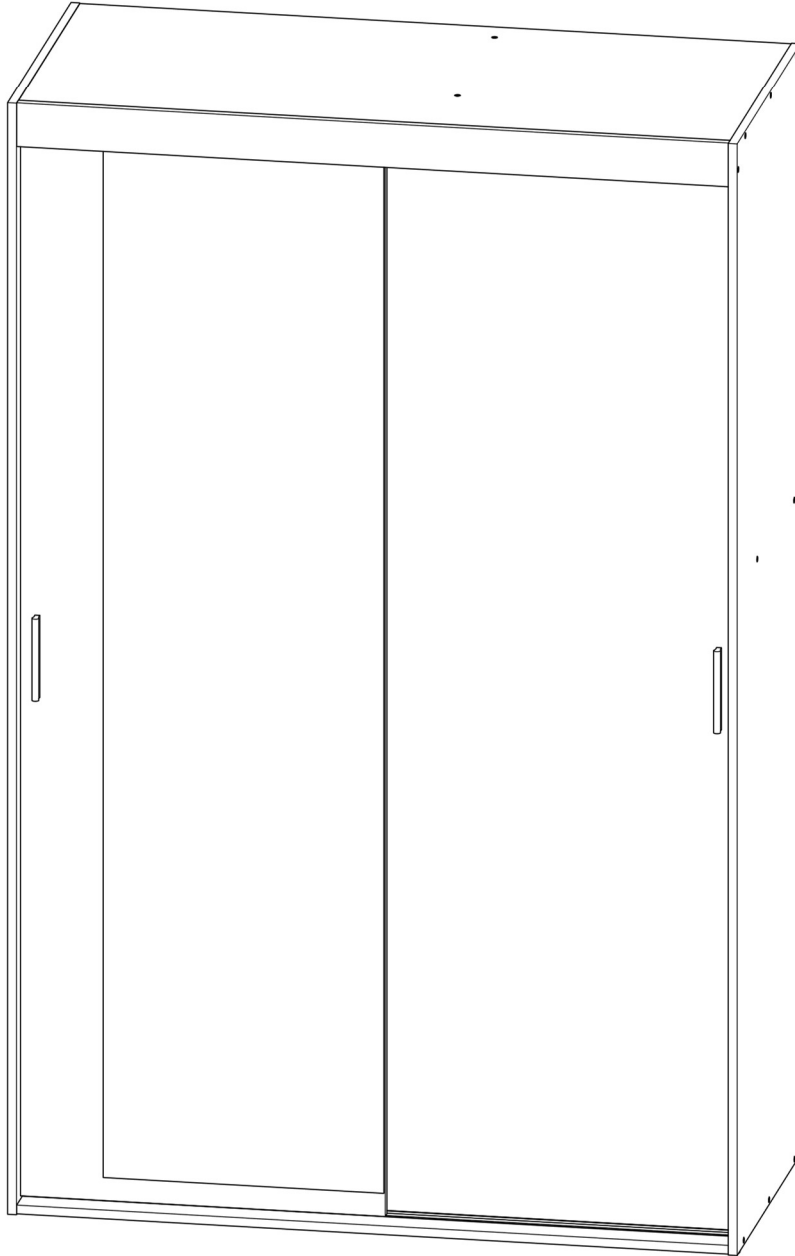
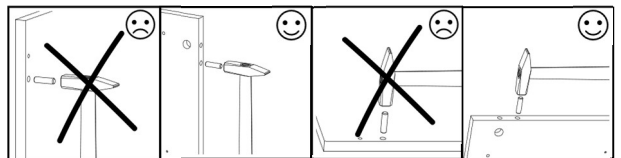
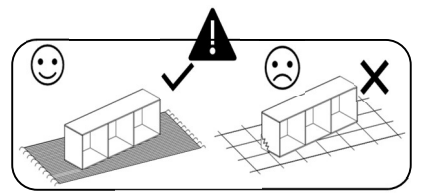
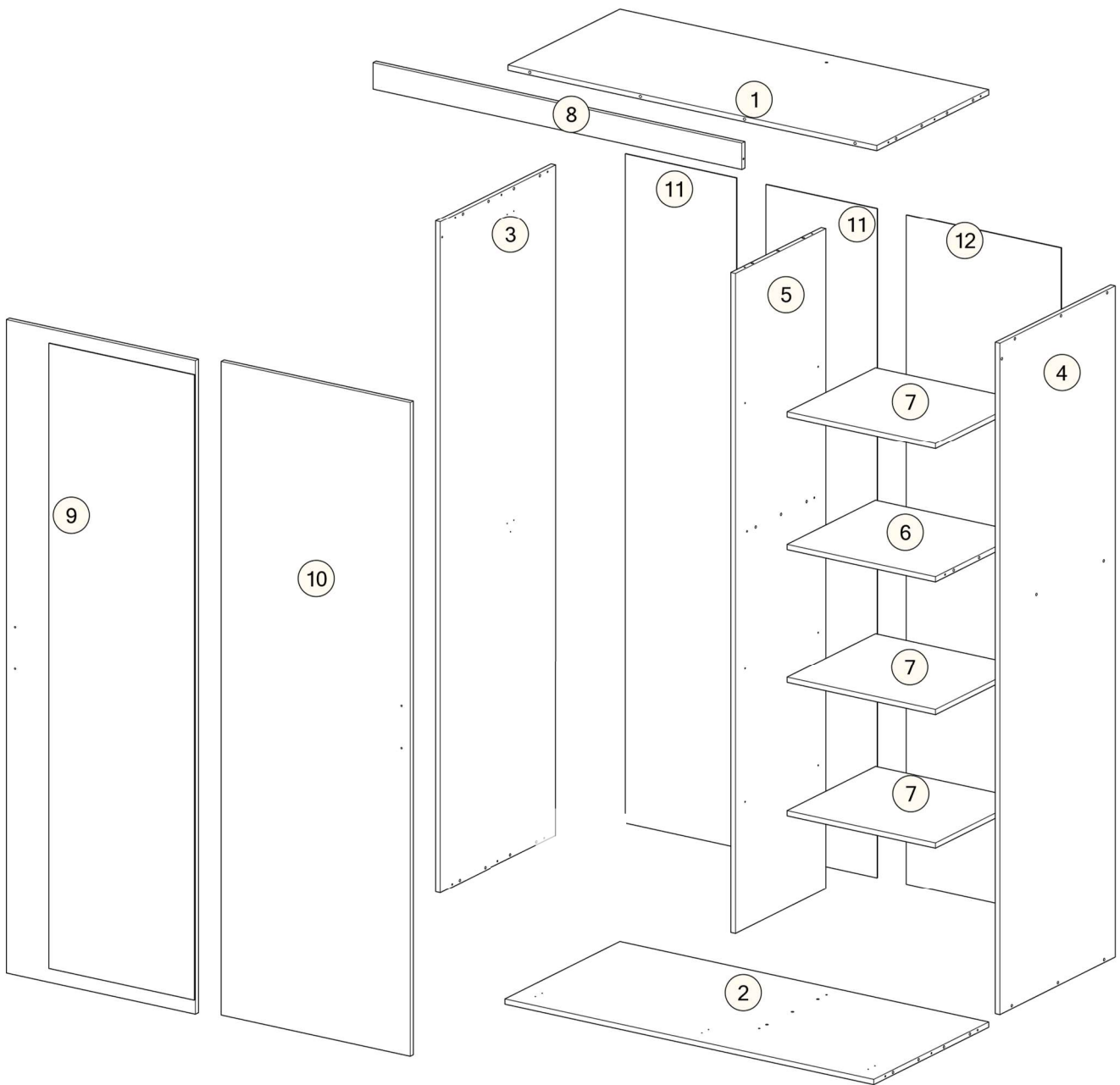
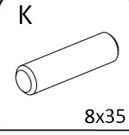
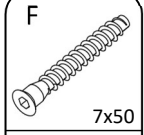
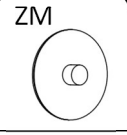
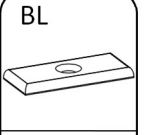
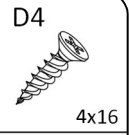
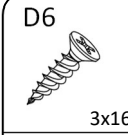
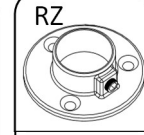
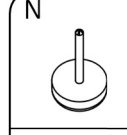
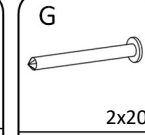
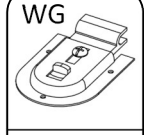

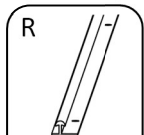
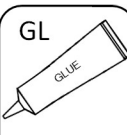
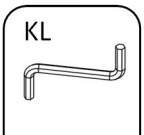
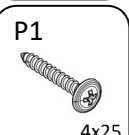
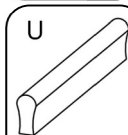
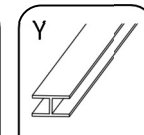
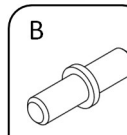
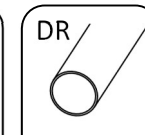


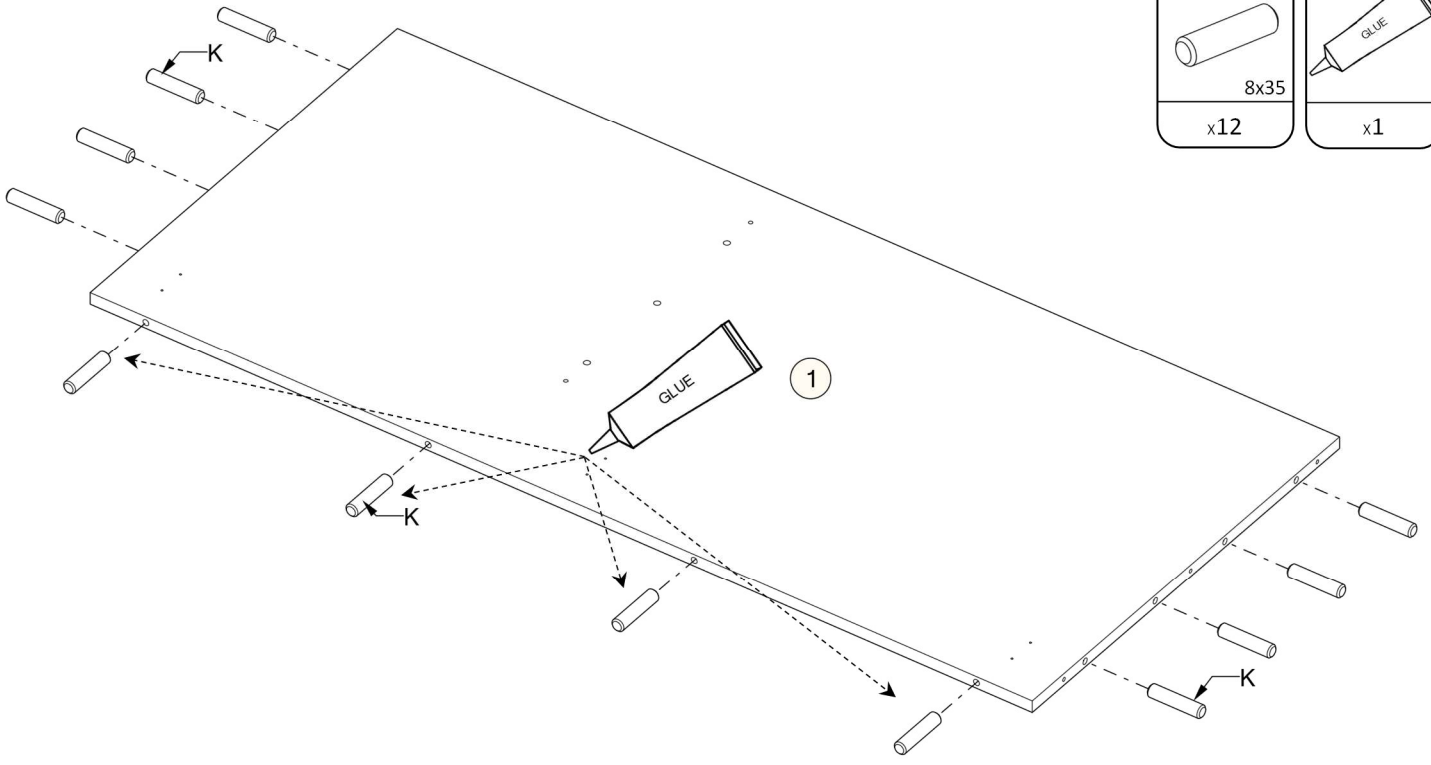
1000

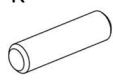


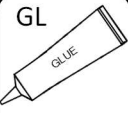


 8x35 x30	 7x50 x22	 x22	 x20	 4x16 x28	 3x16 x24	 x4	 x6	 2x20 x90	 x4
 x4	 x4	 x1	 x1	 4x25 x4	 x2	 x1	 x12	 x2	

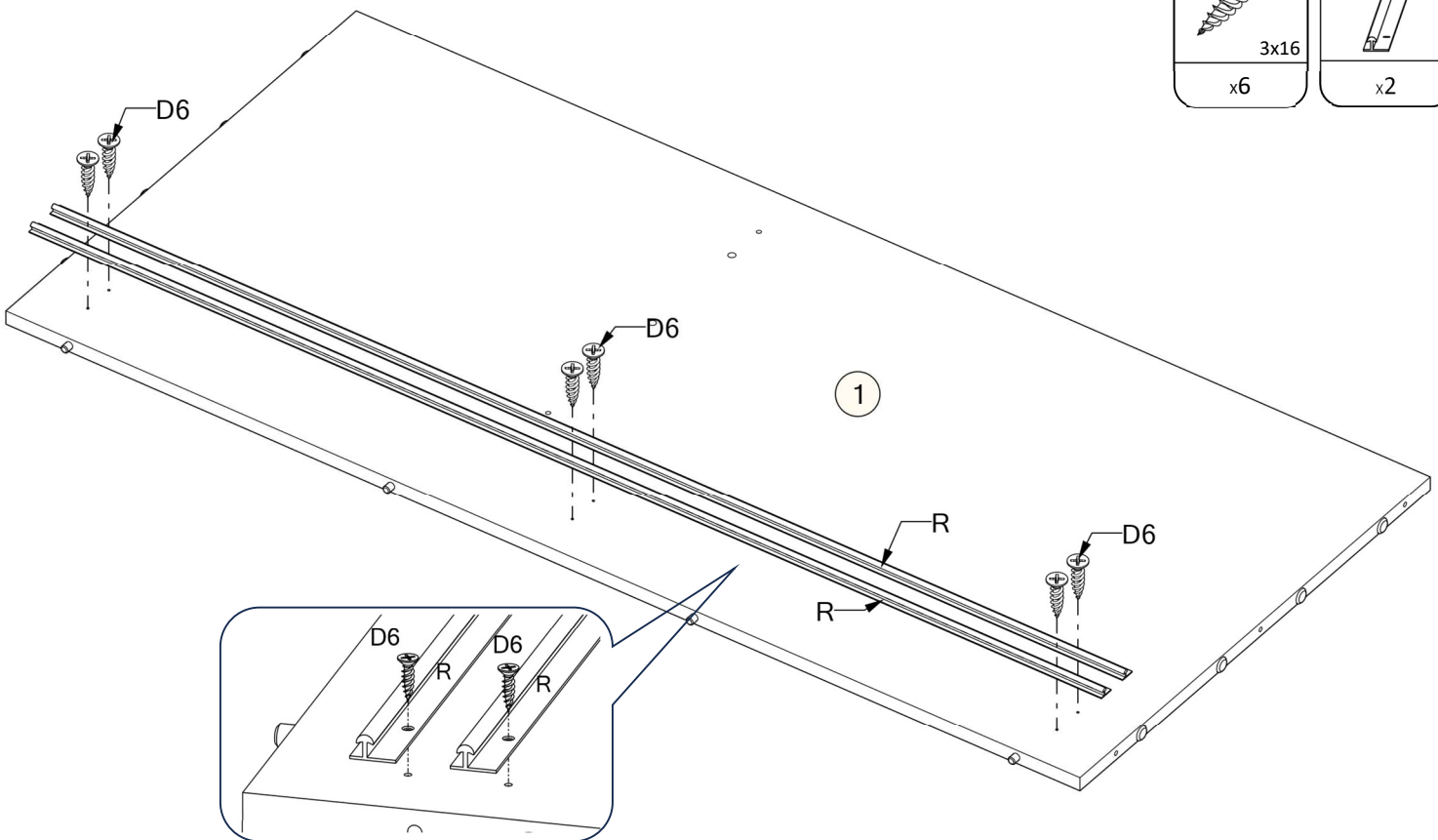
1





K

8x35
x12

GL

GLUE
x1

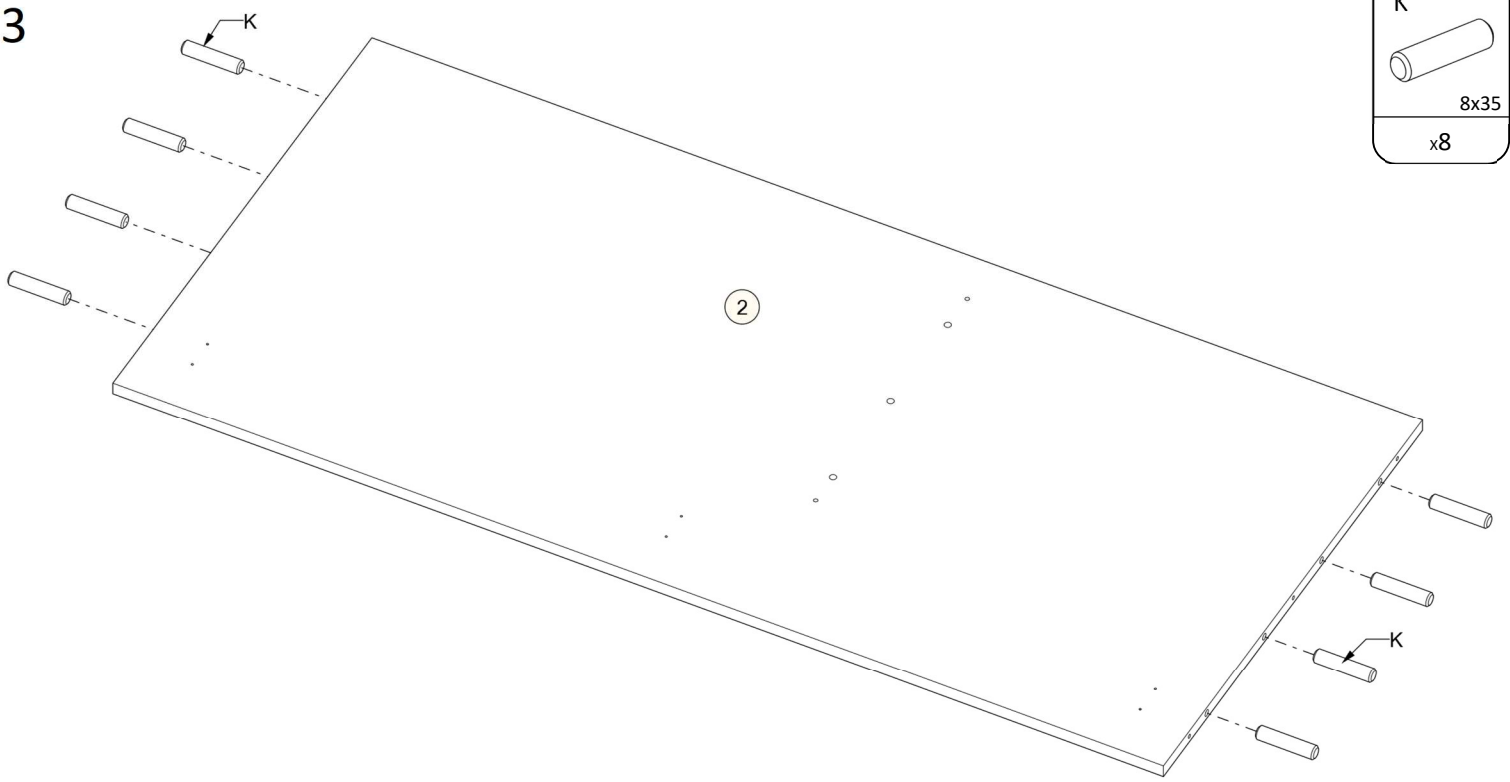
2

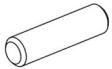


D6

3x16
x6

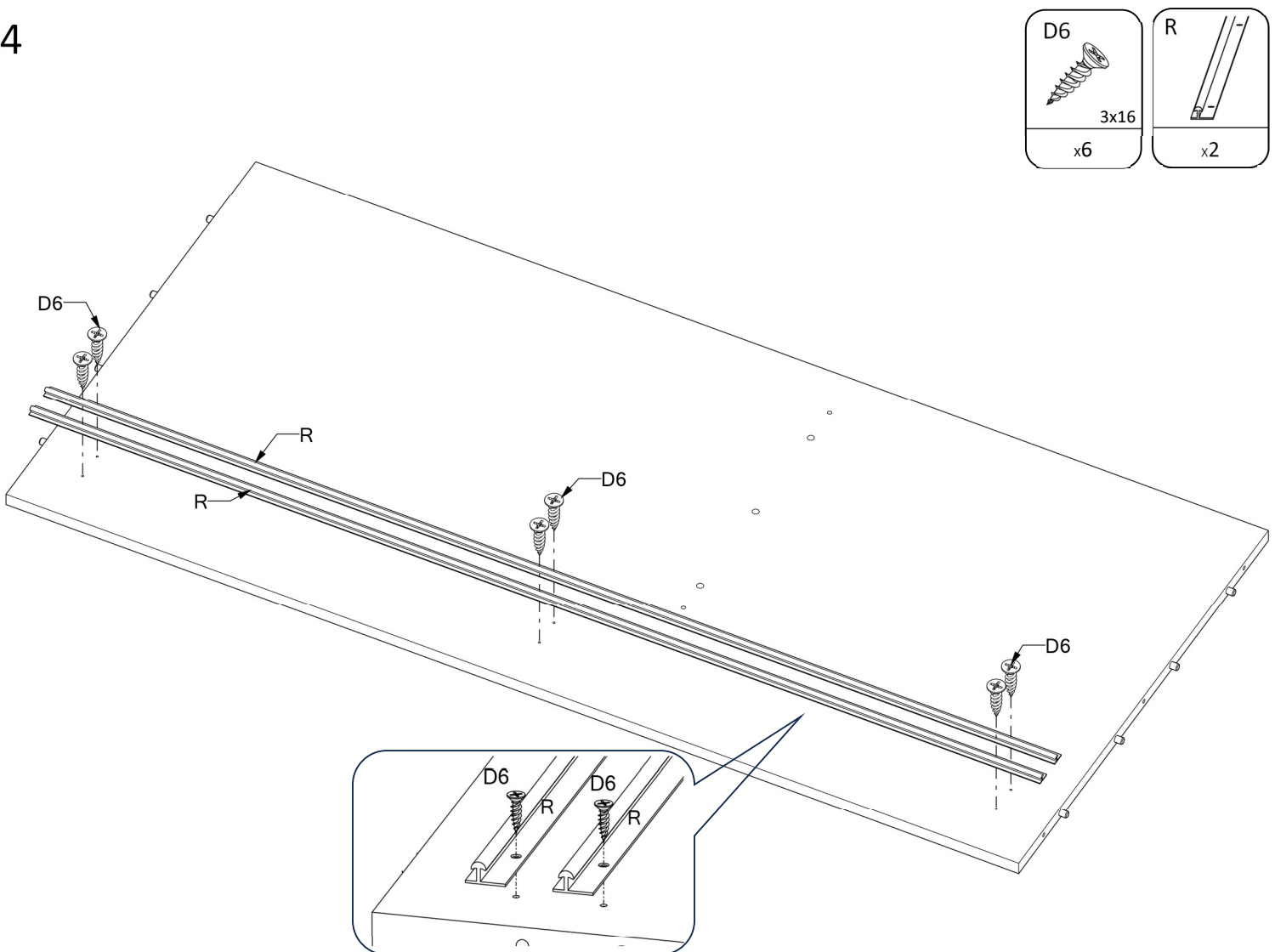
R

x2


3

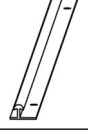


K	
	8x35
	x8

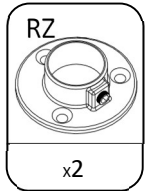
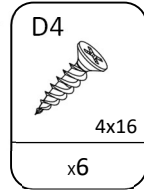
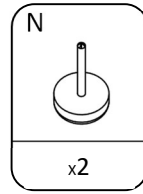
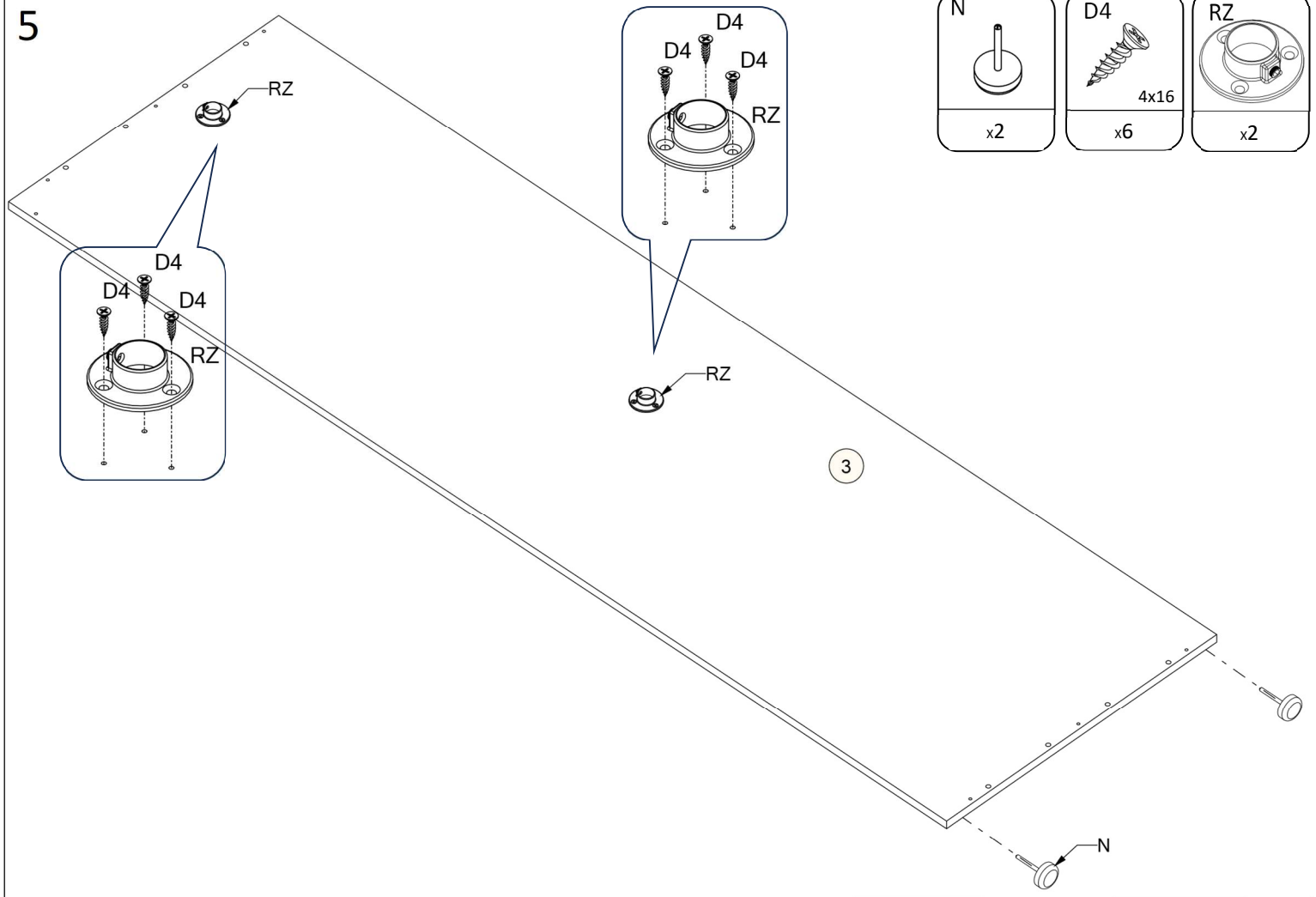
4



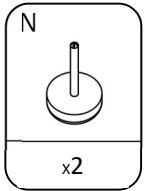
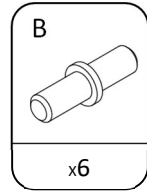
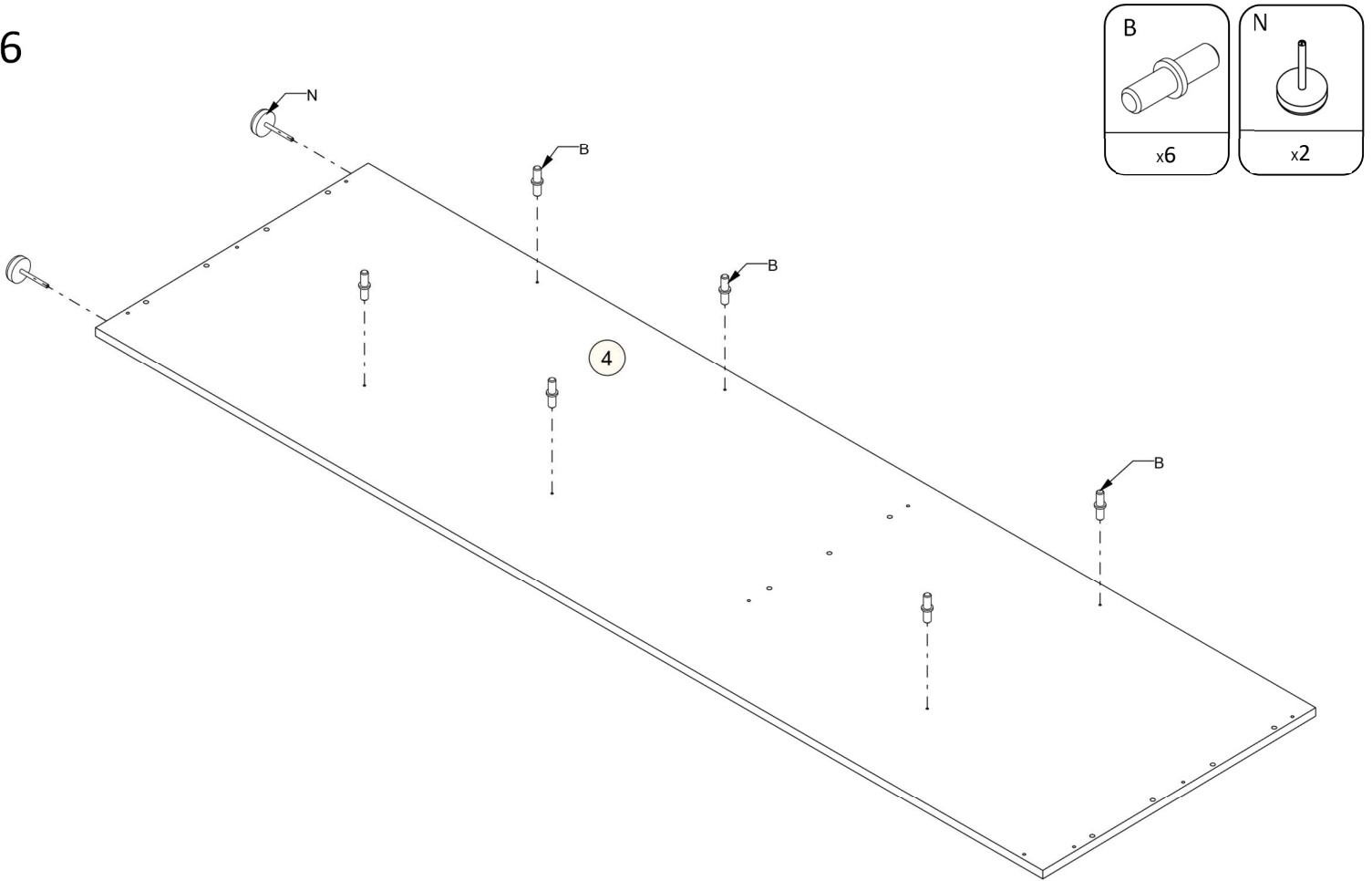
D6	
	3x16
	x6

R	
	x2

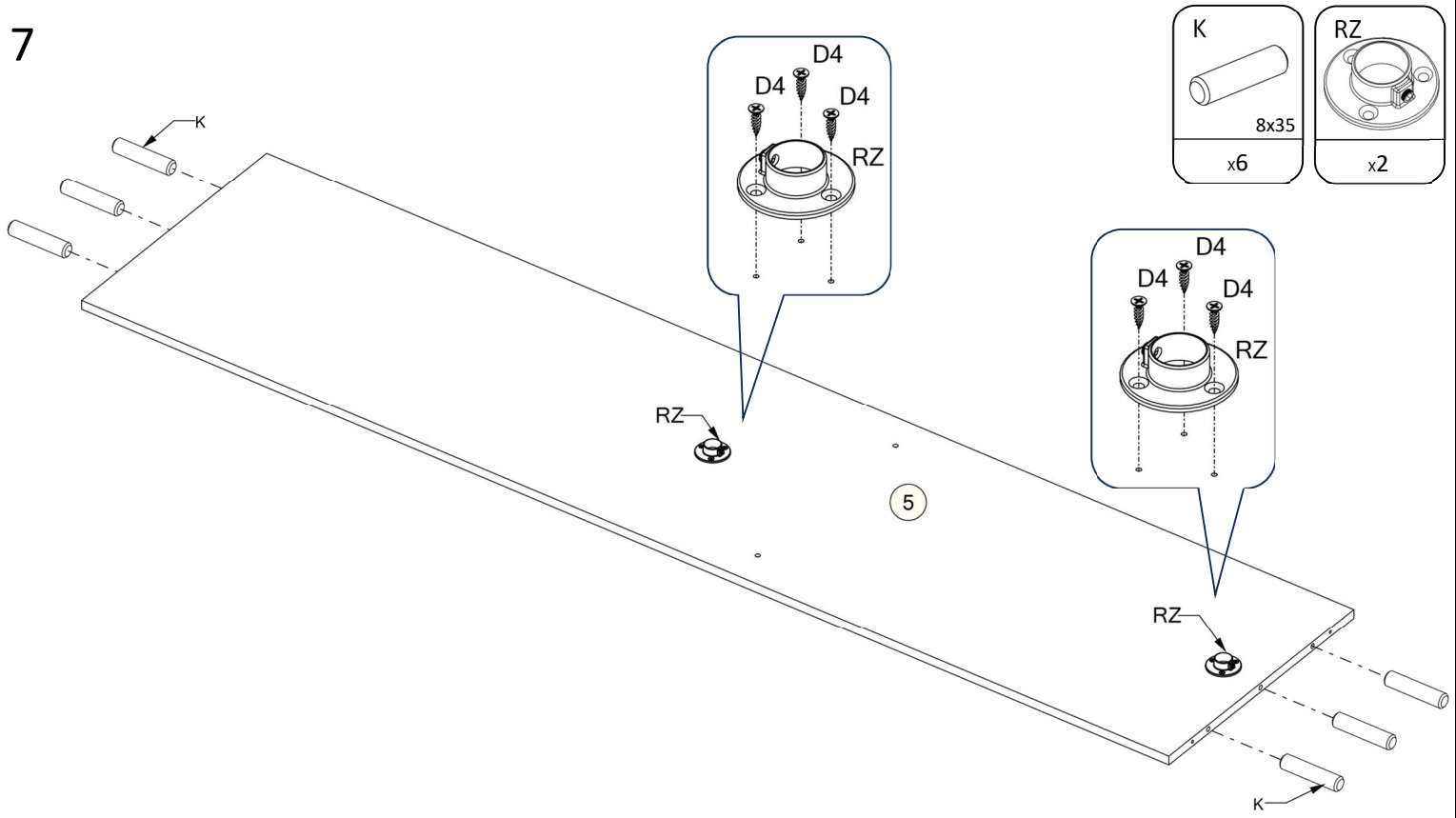
5



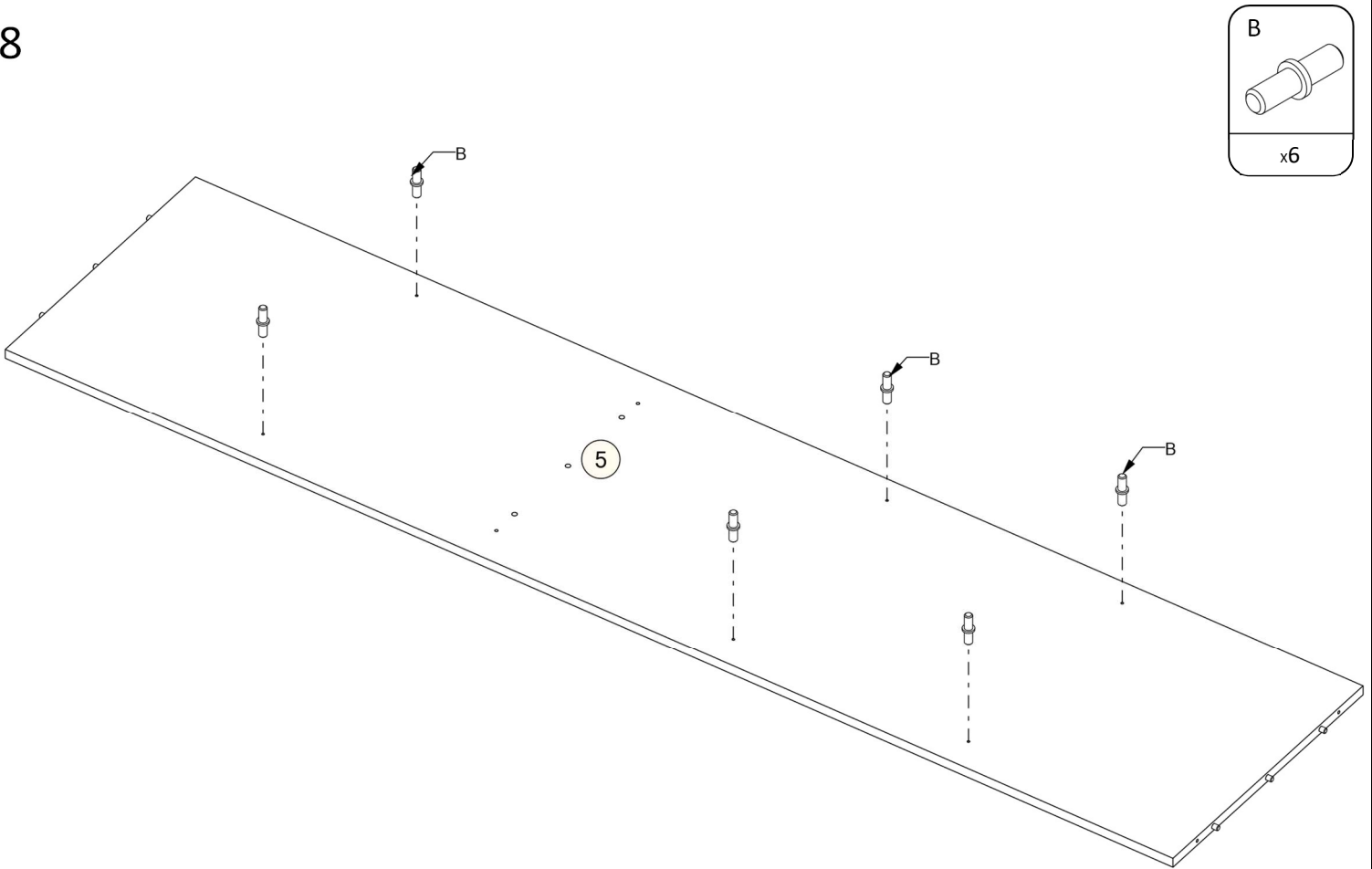
6



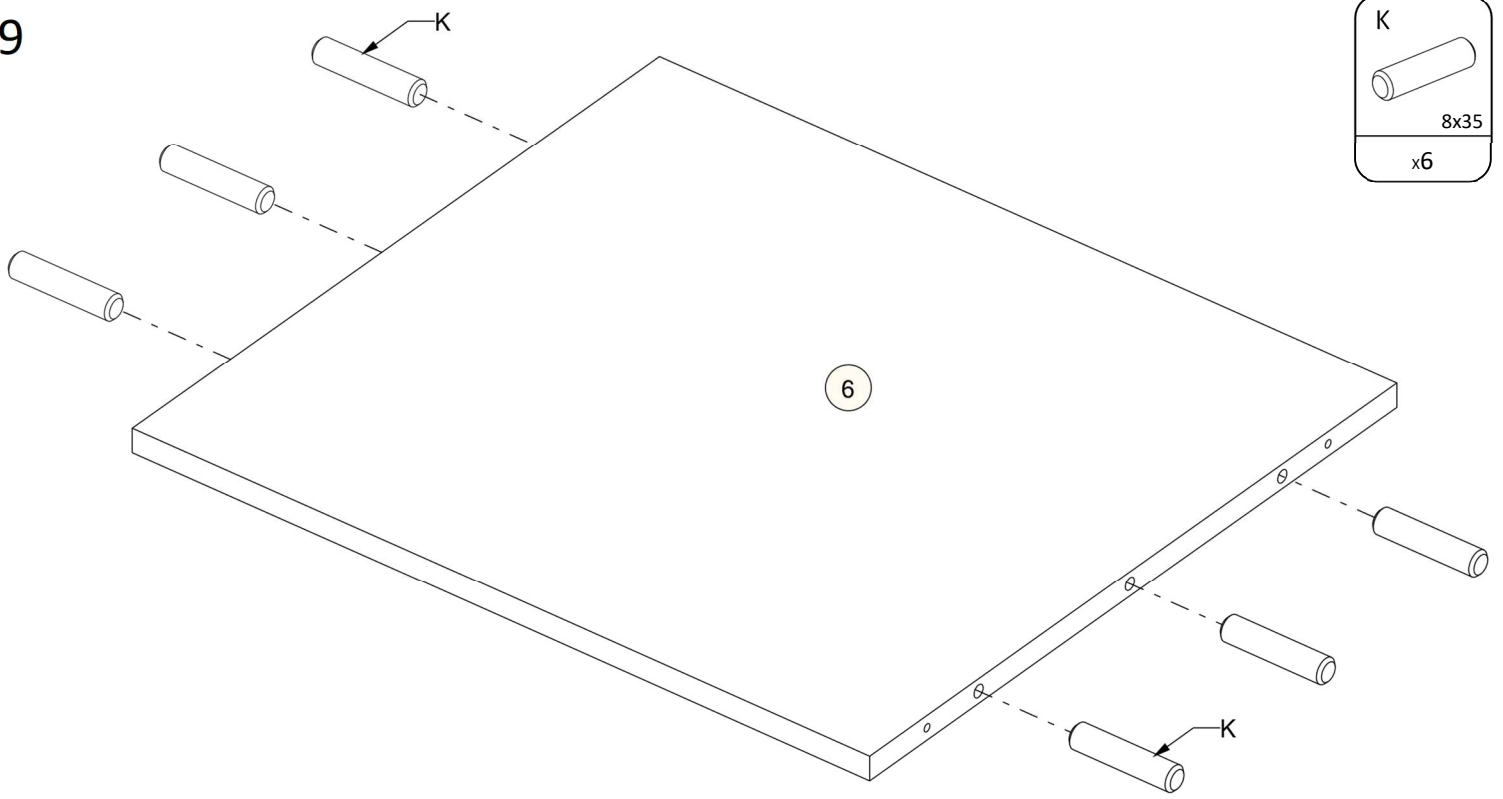
7

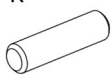


8

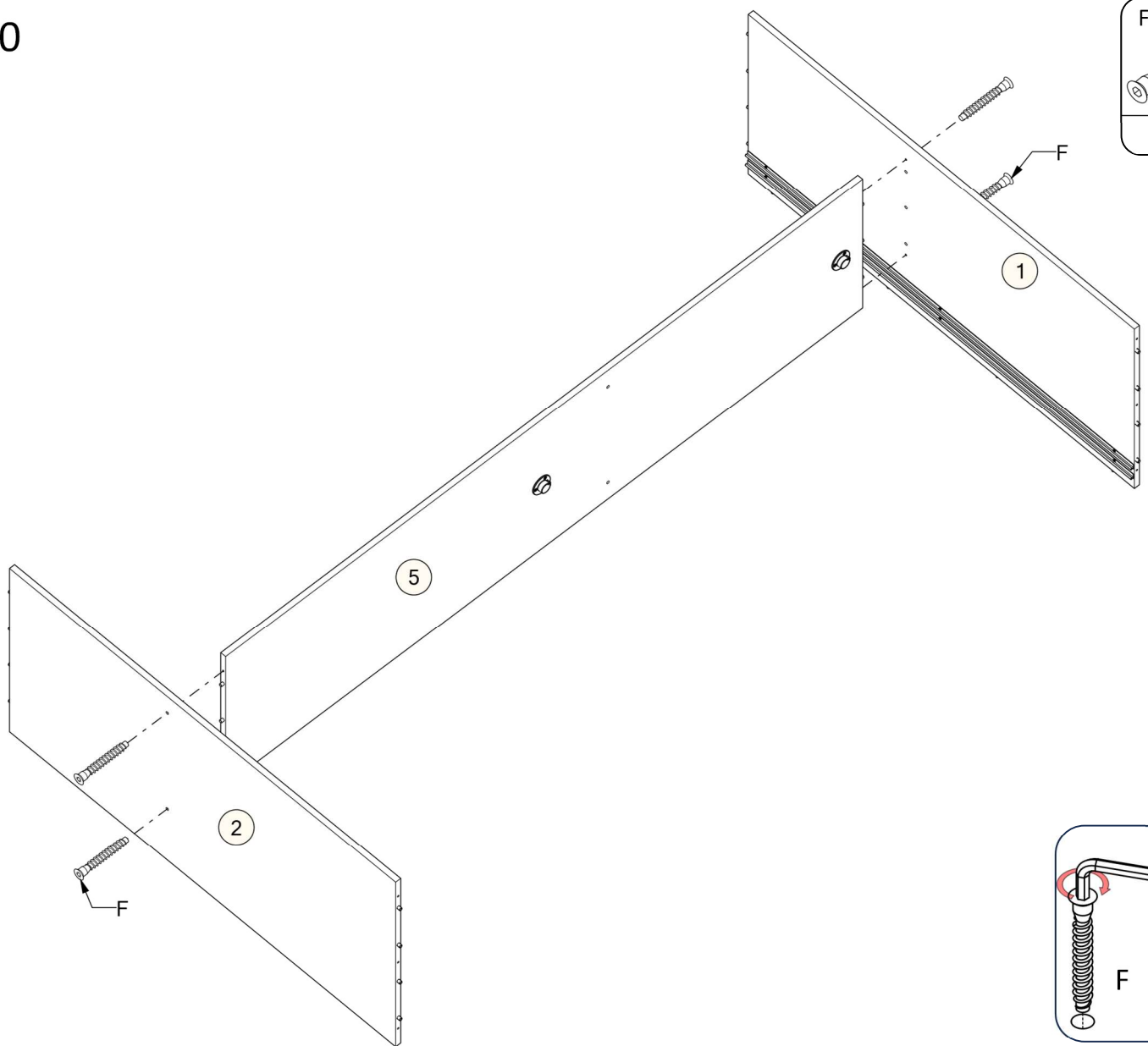


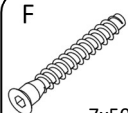
9

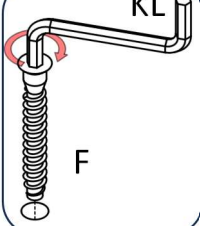


K

8x35
x6

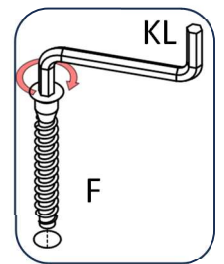
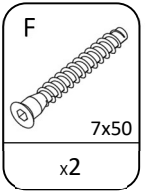
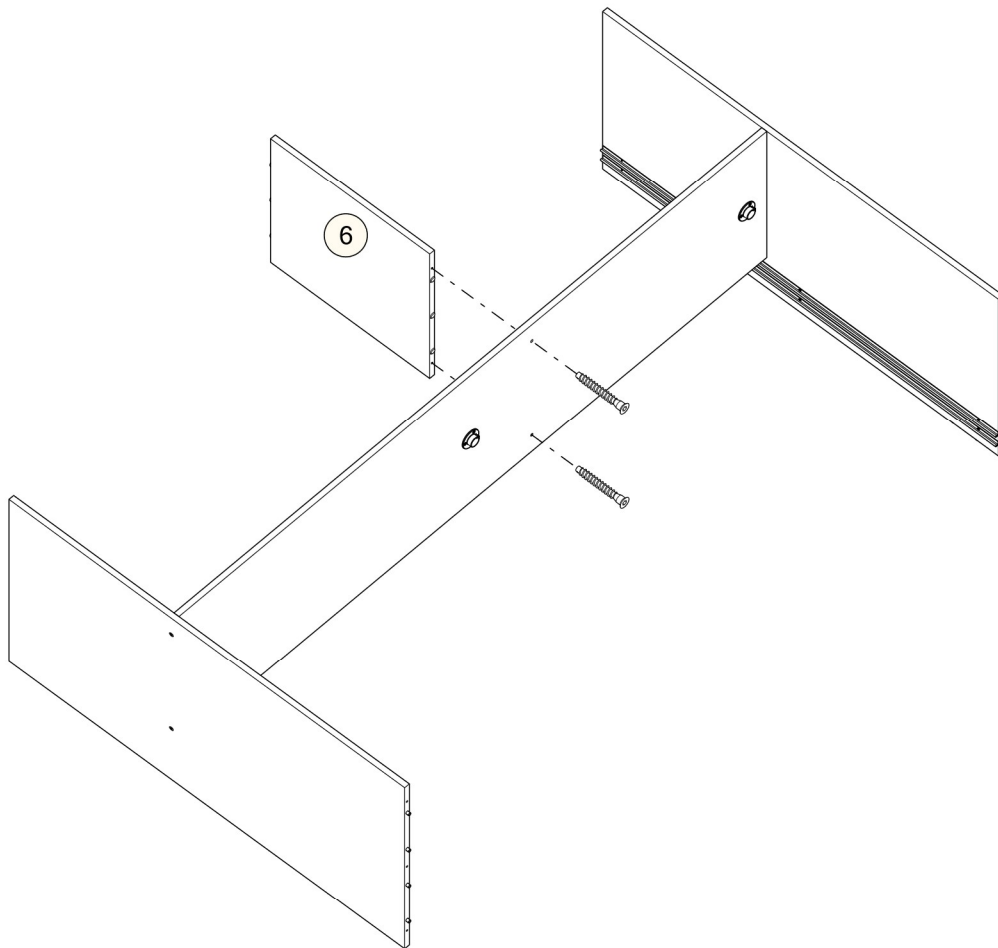
10



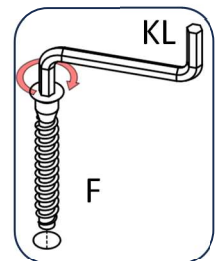
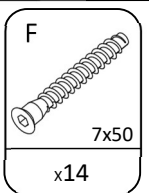
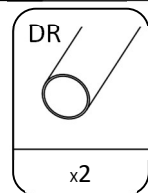
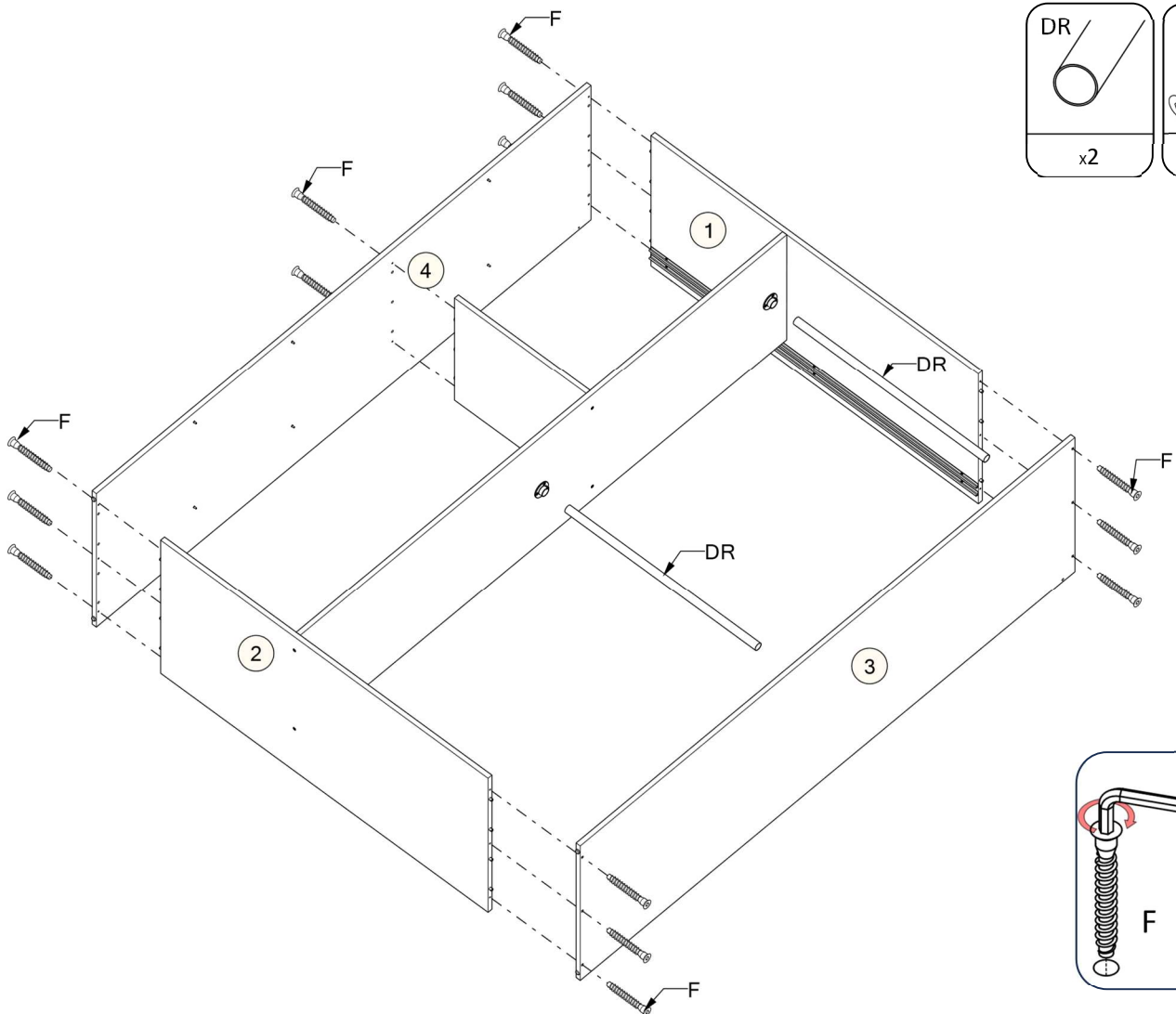
F

7x50
x4

KL

F

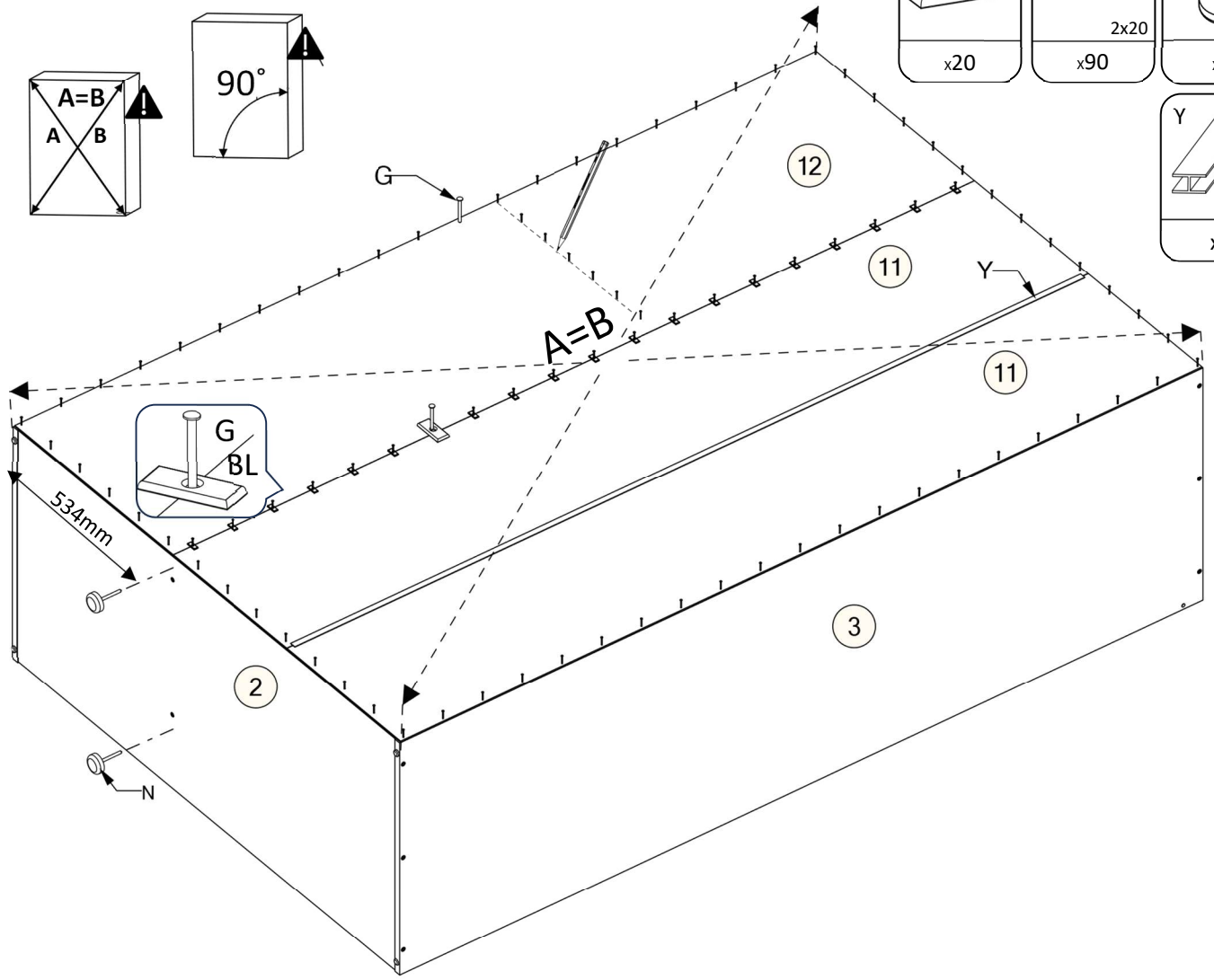
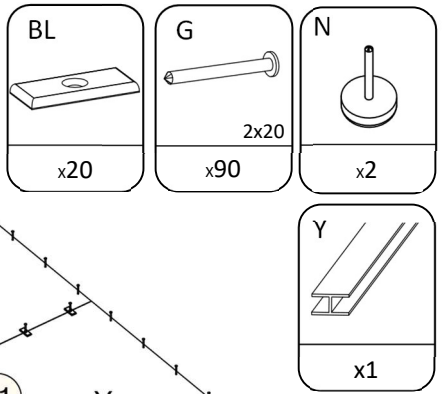
11



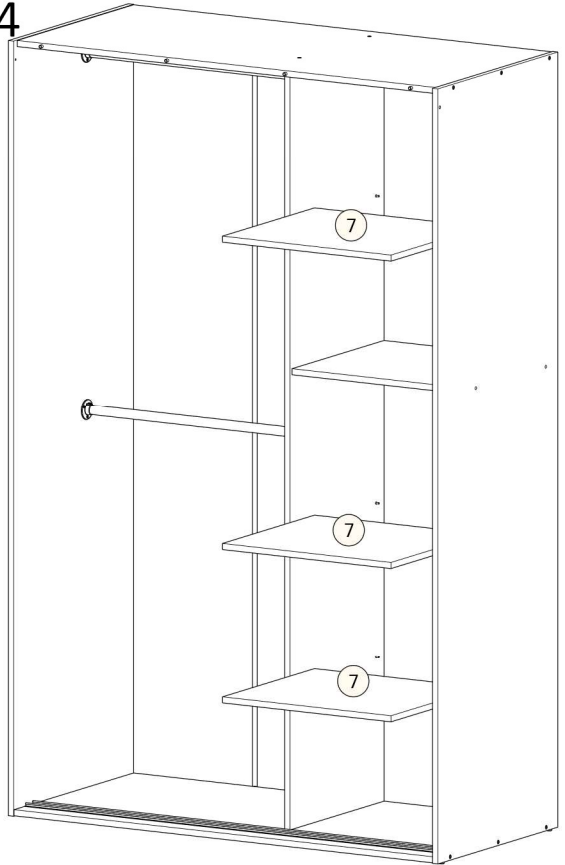
12



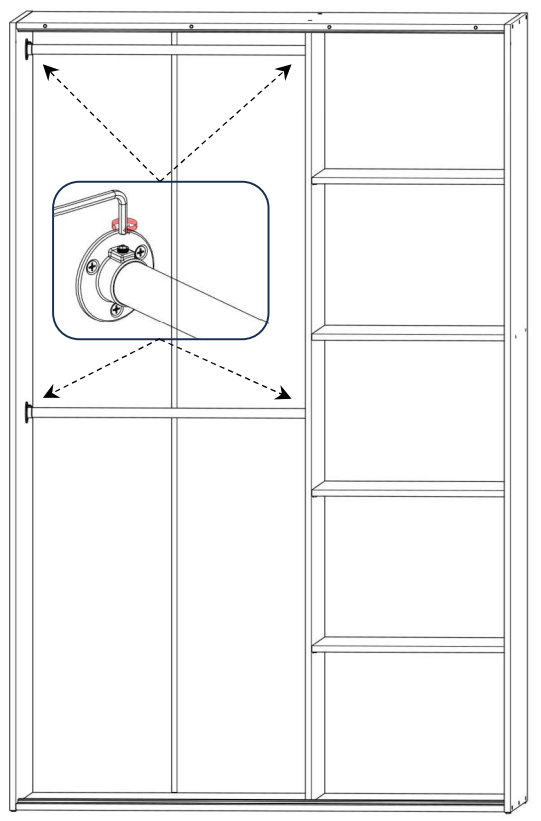
13



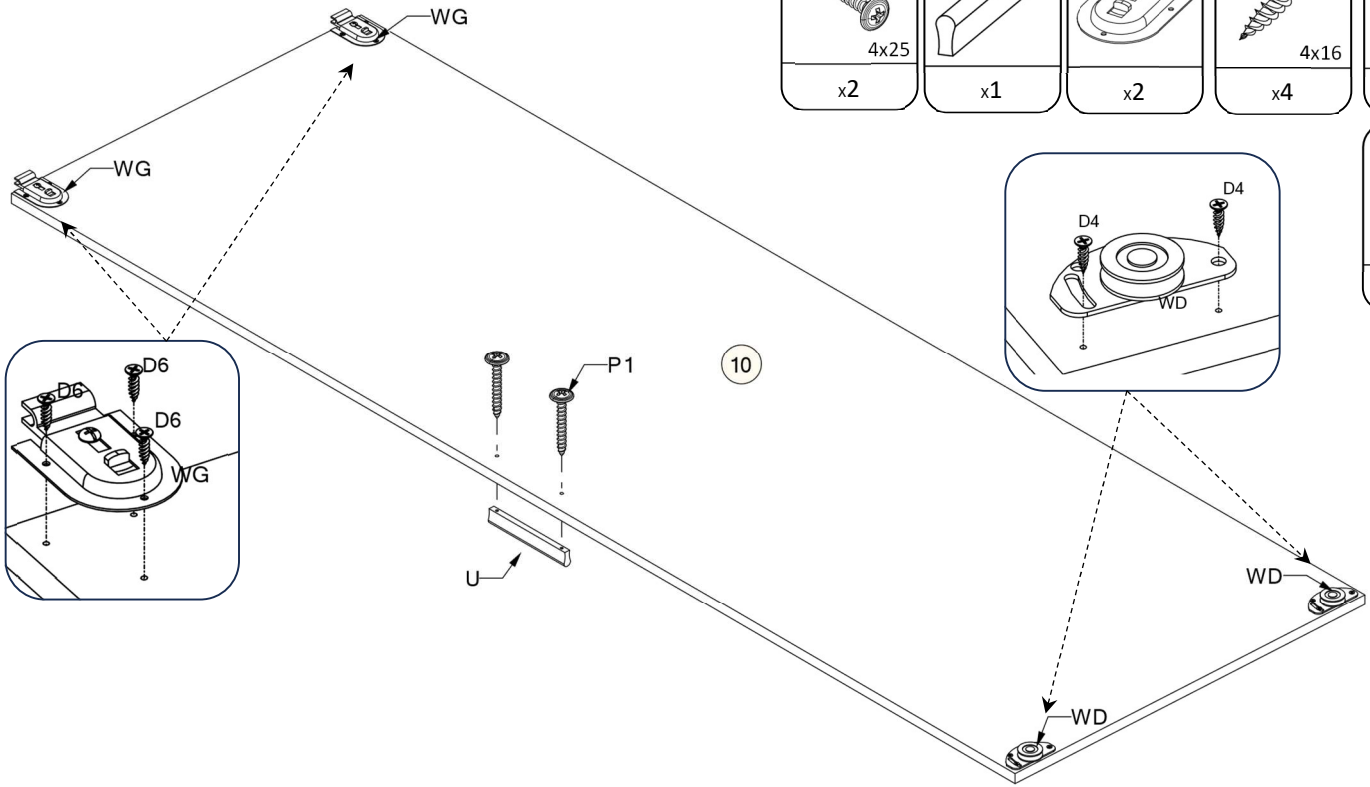
14



15



16



P1
4x25
x2

U
x1

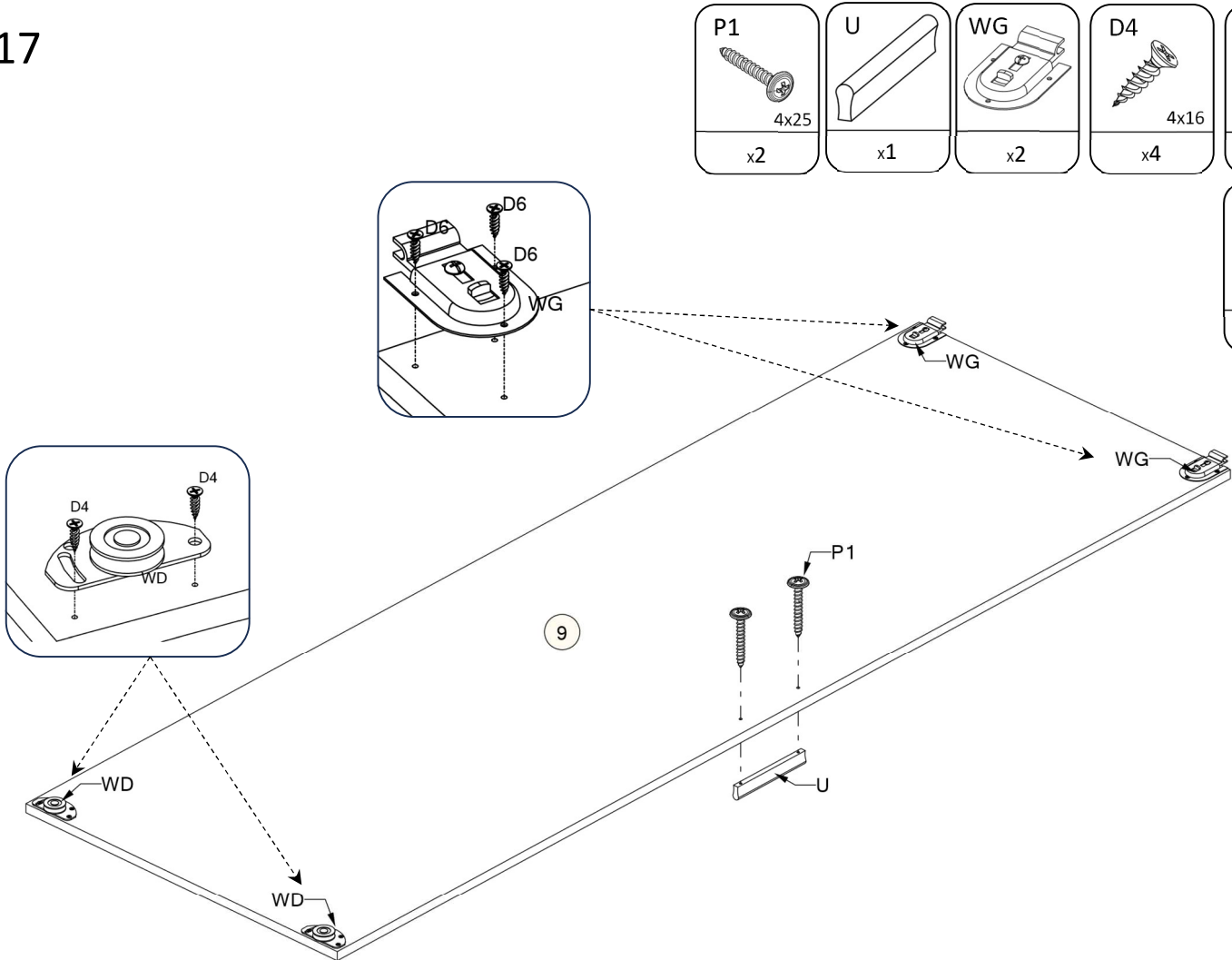
WG
x2

D4
4x16
x4

D6
3x16
x6

WD
x2

17



P1
4x25
x2

U
x1

WG
x2

D4
4x16
x4

D6
3x16
x6

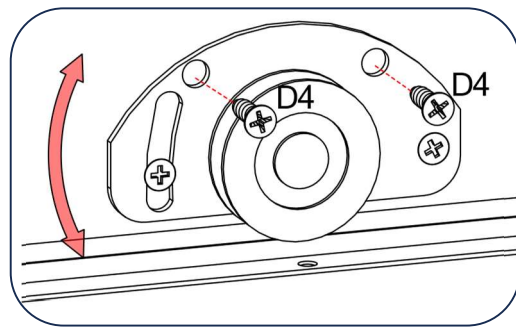
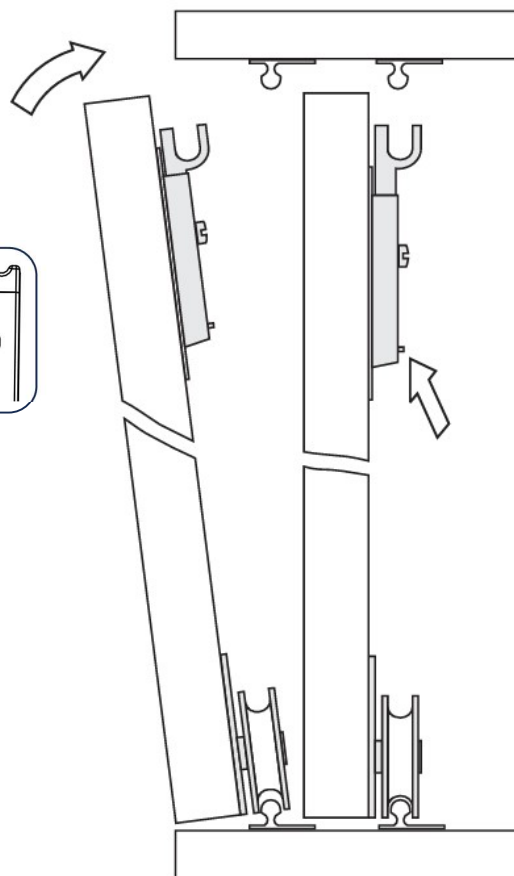
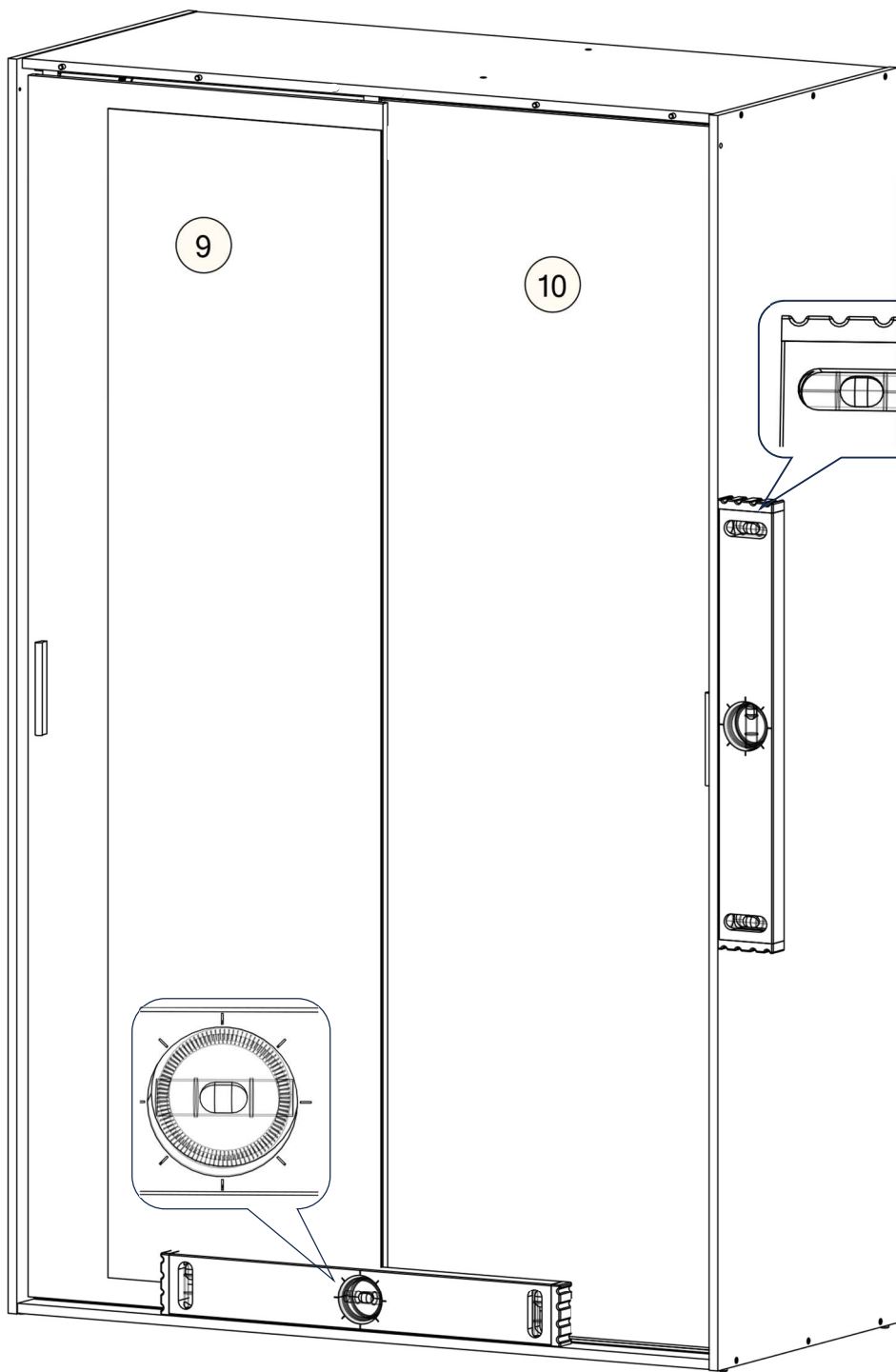
WD
x2

D4

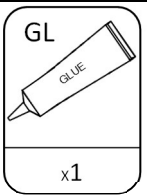
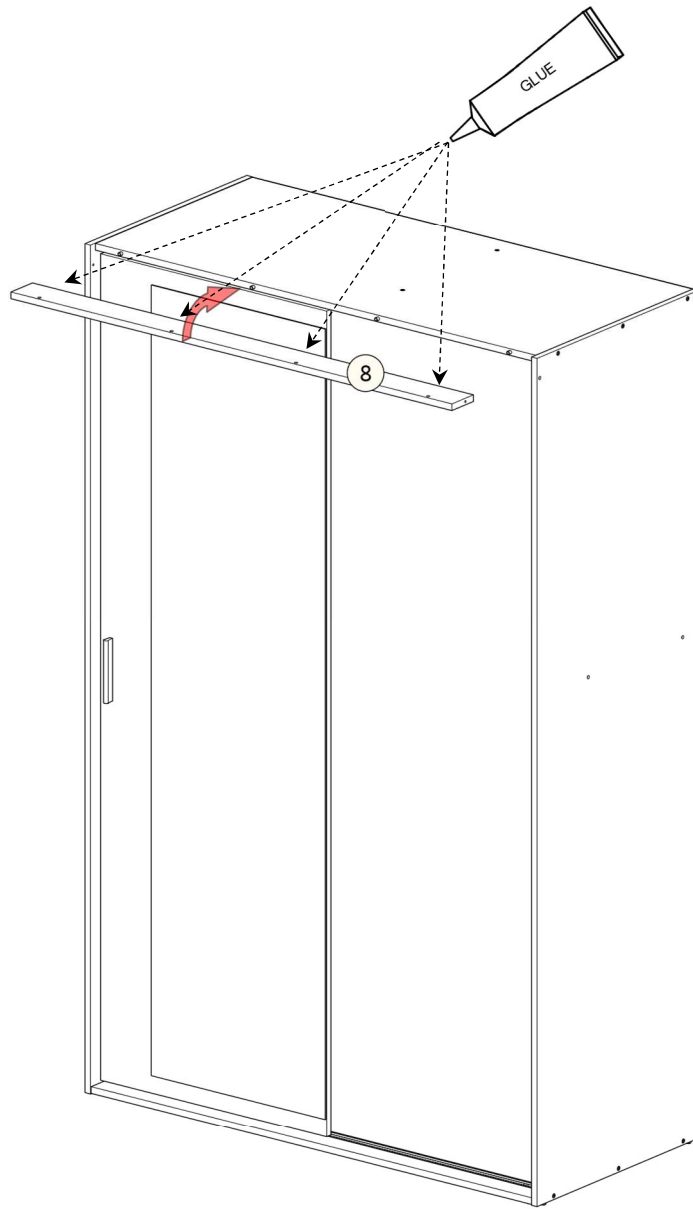


4x16

x8



19



20

