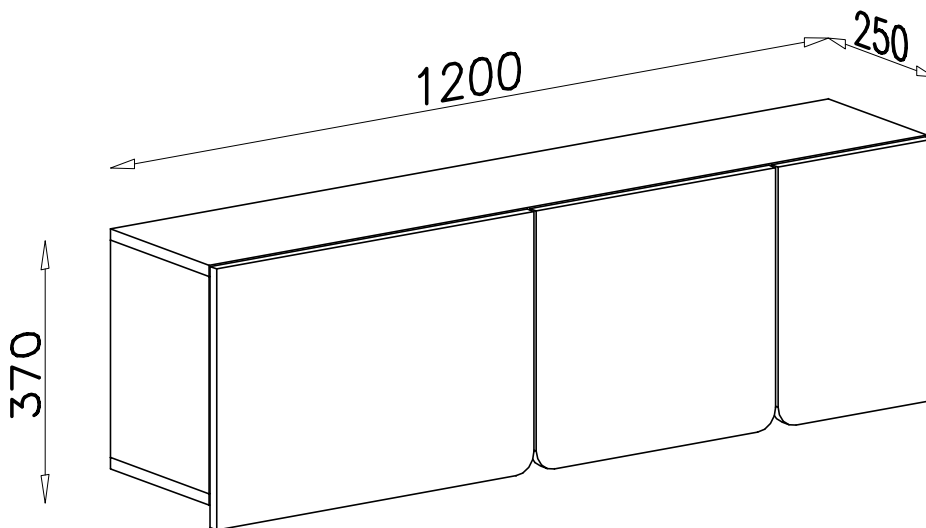
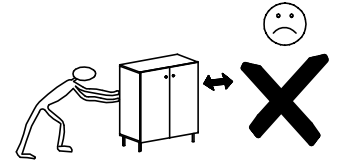
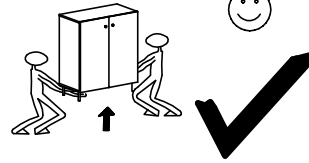
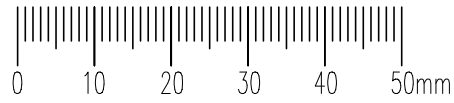
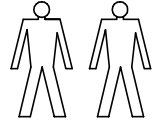
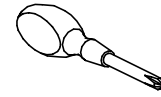
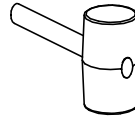
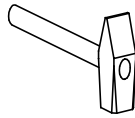
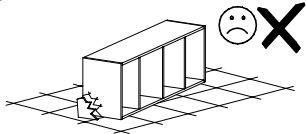
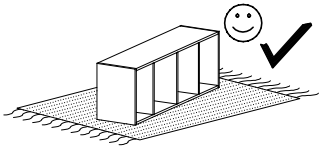
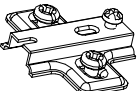

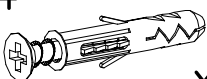
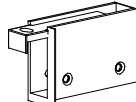
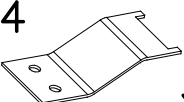
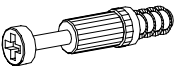

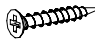
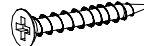
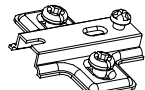


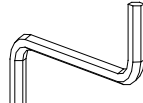

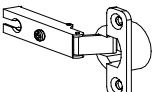
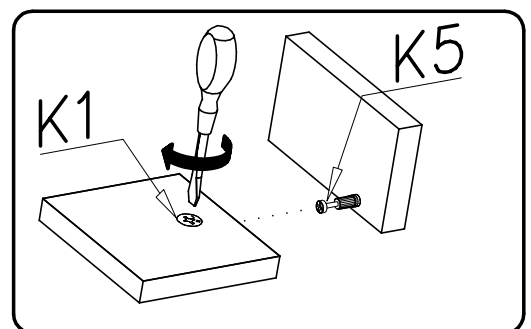
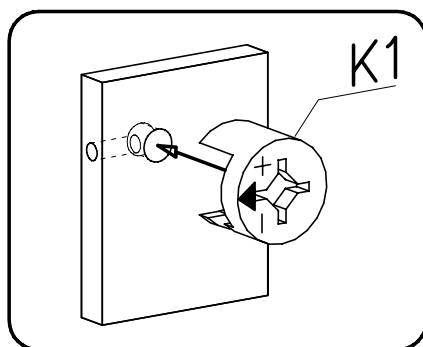
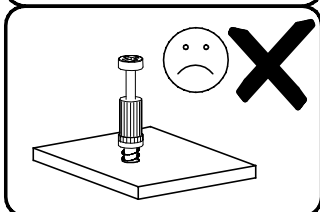
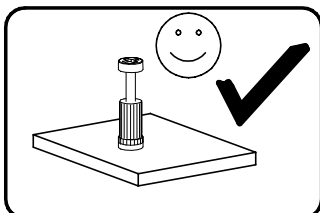
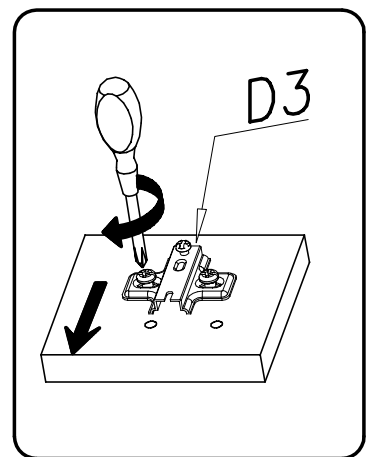
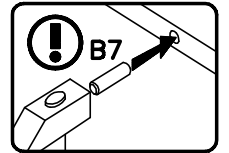
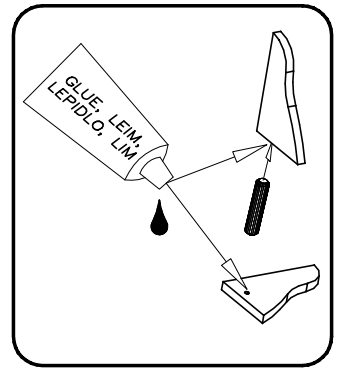
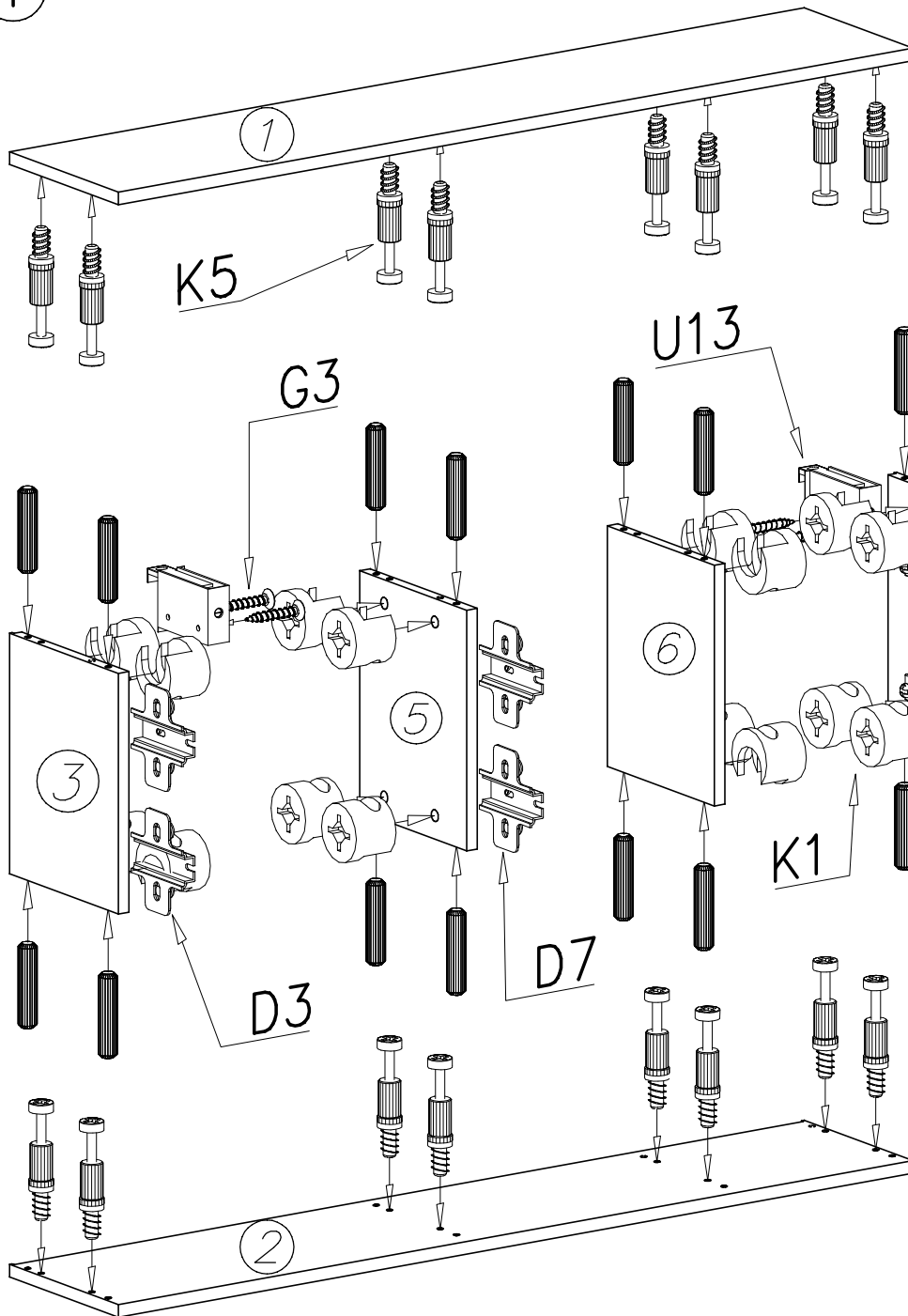


LUCA LC 12

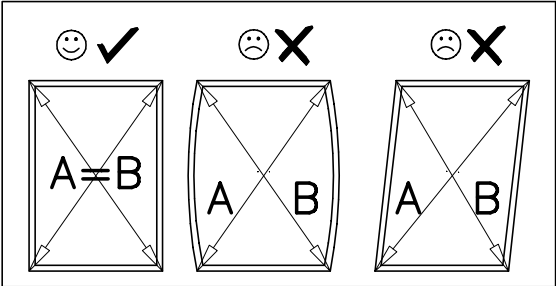
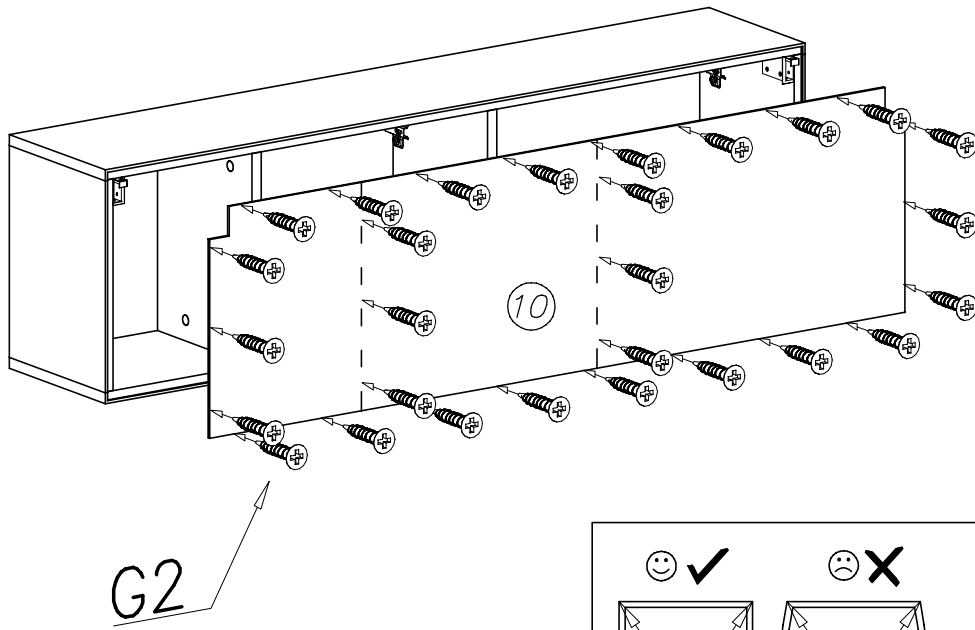


D7  PZ35PH H=6 x2	I7  ø18 x16	U4  x4	U13  x2	U14  x2
K5  x16	G4  4x16 x12	G2  3x20 x30	G3  4x30 x4	D3  PZ35PR x4
K1  ø15x12 x16	B7  ø8x30 x16	W2  x1	W1  GLUE, LEIM, LEPIDLO, LIM x1	C3  Z35PR x6

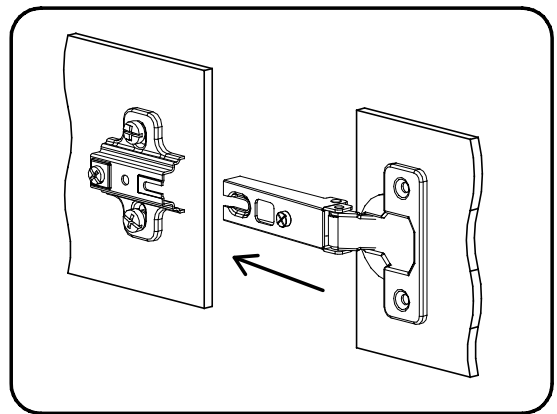
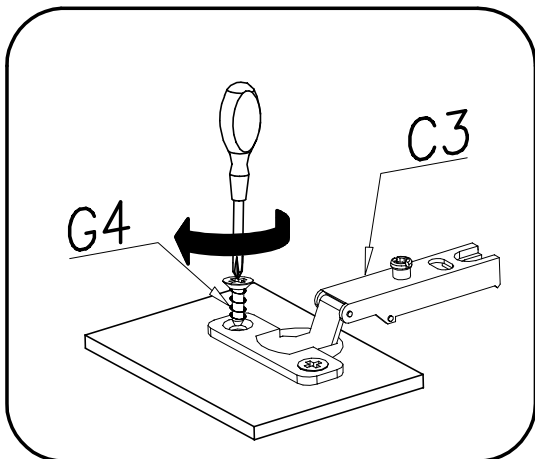
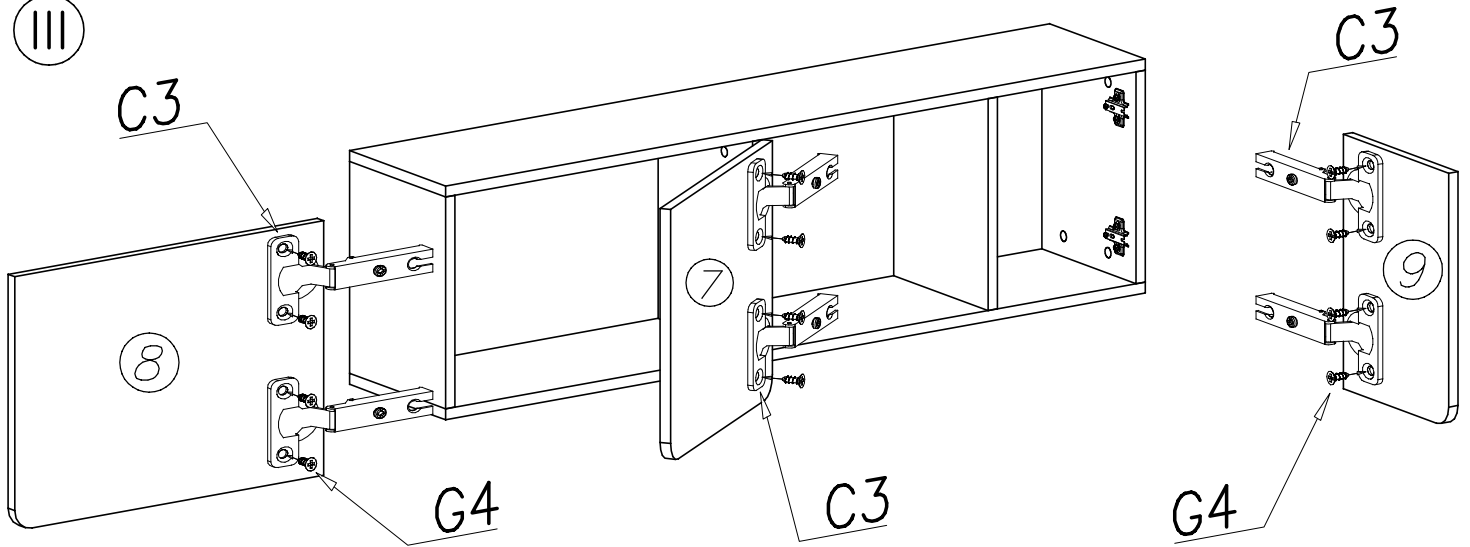
1

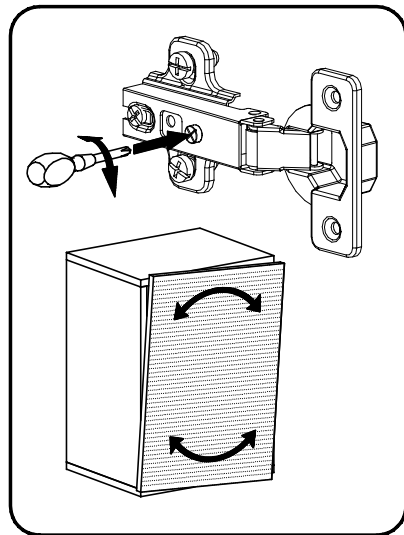
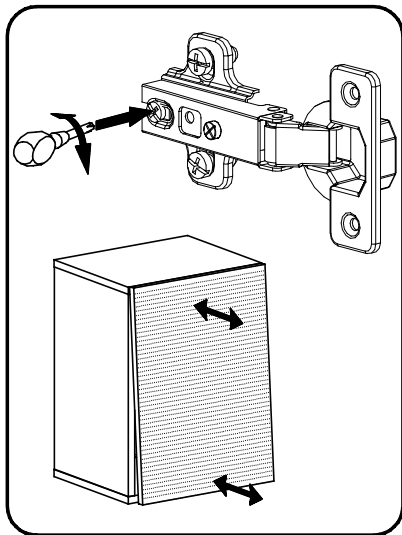
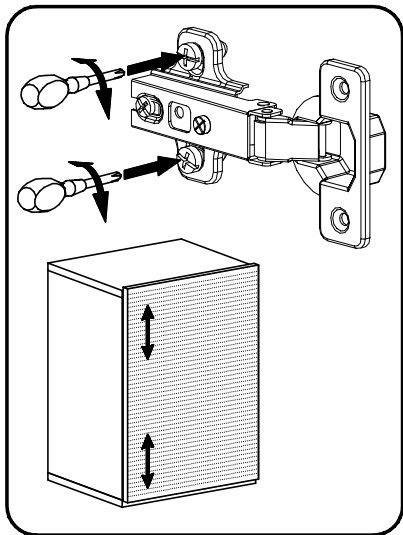


II

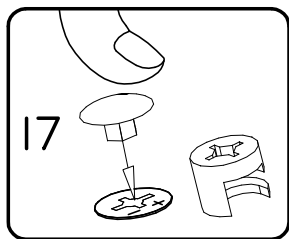


III

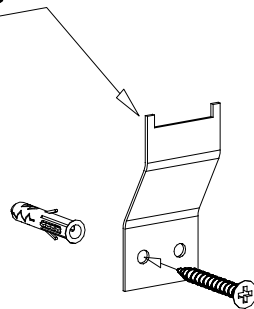




IV



U13



U4

