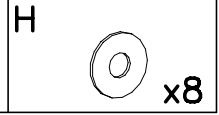
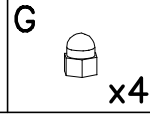
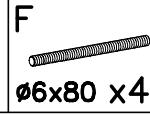
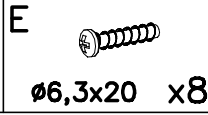
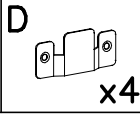
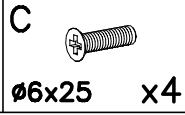
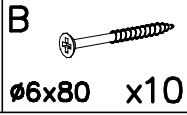
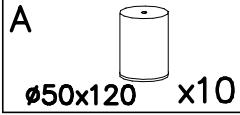
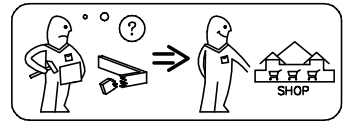
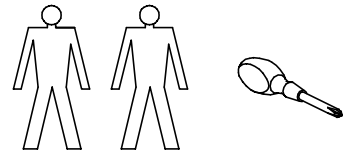
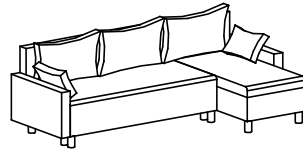
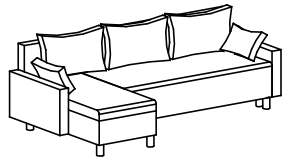


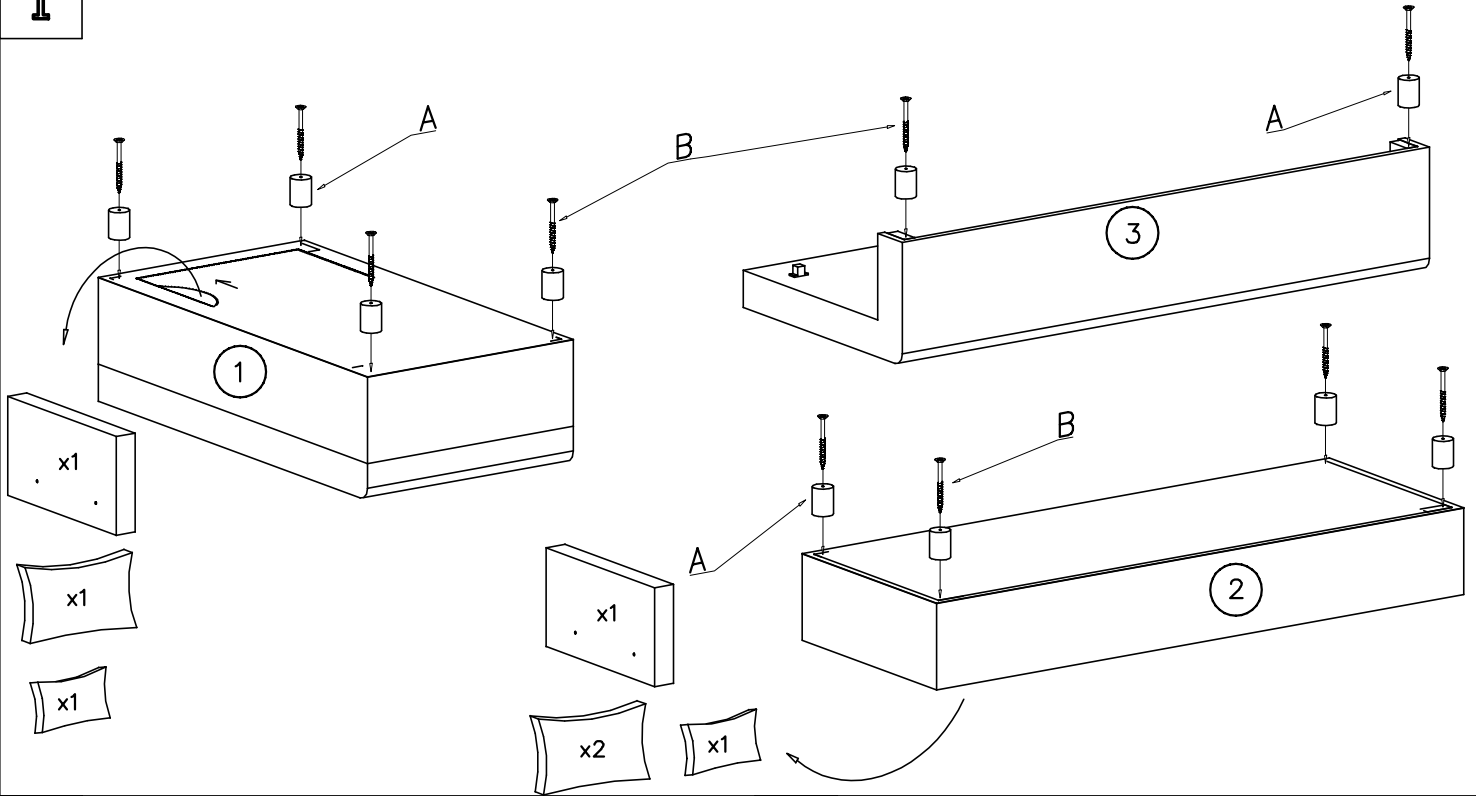
# BRICK C

I VERSION

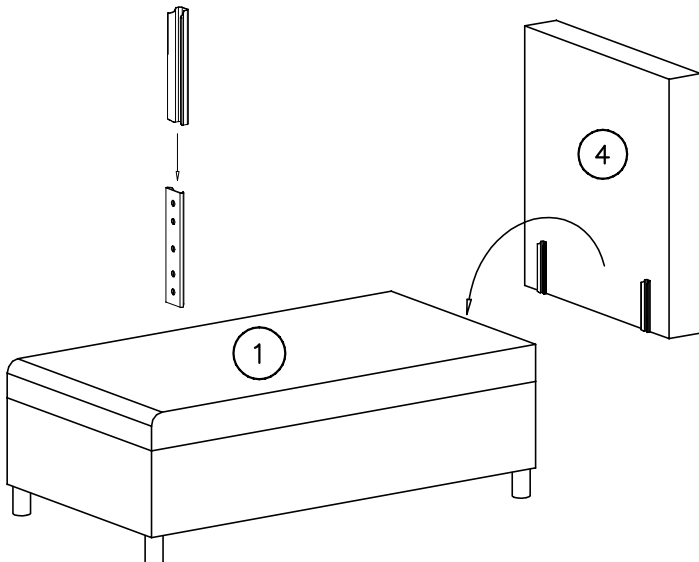
II VERSION



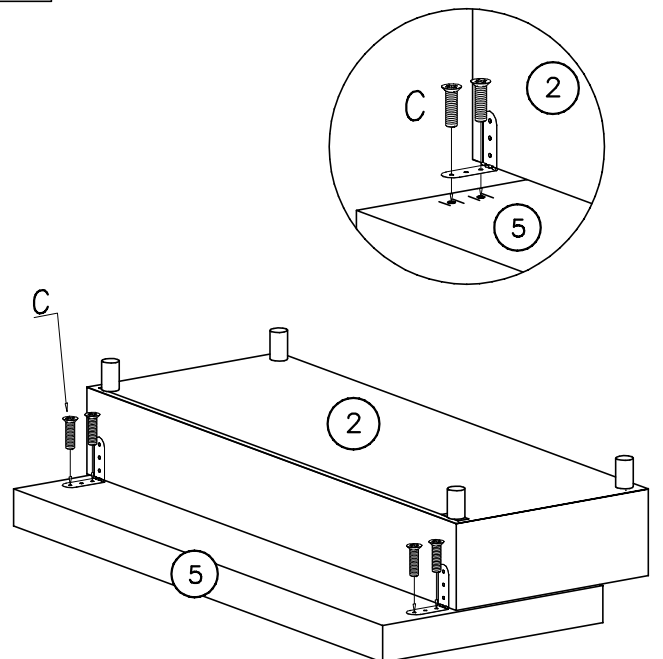
**I**



**II**

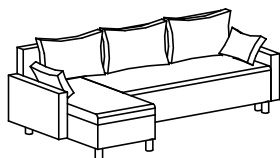


**III**

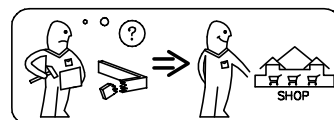
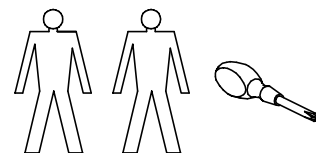
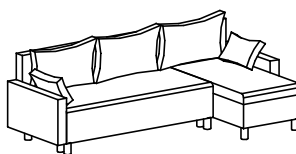


# BRICK C

I VERSION

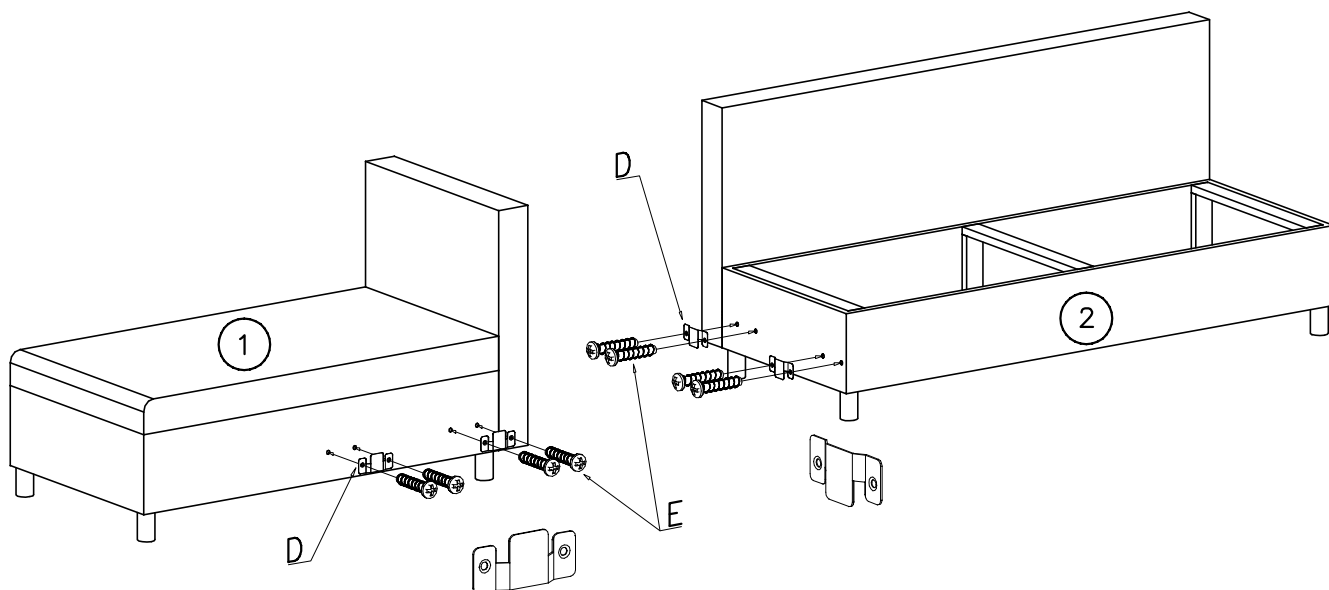


II VERSION



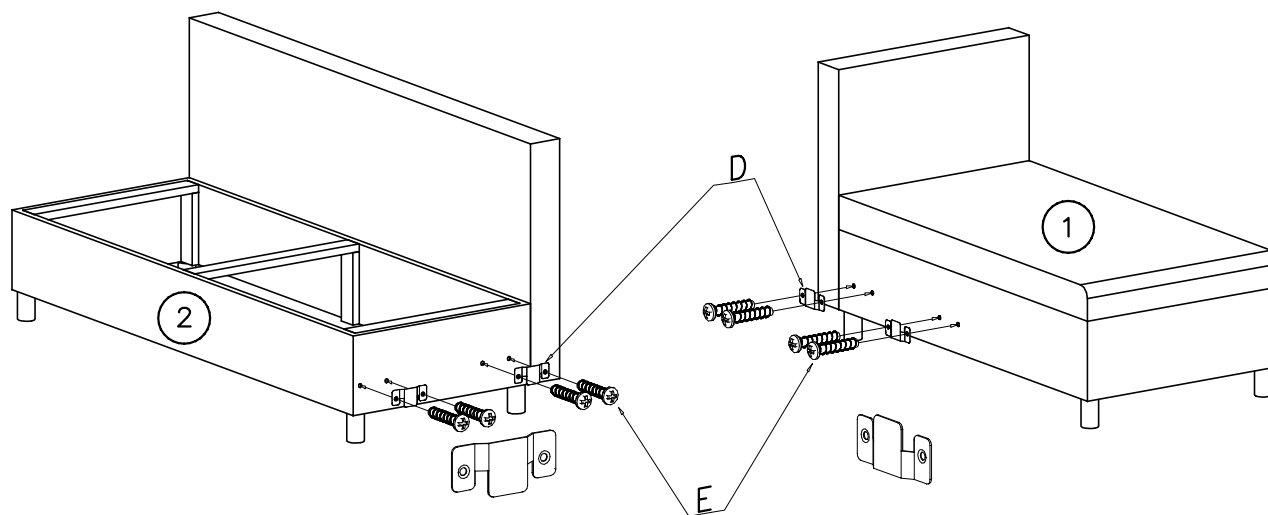
IV

I VERSION



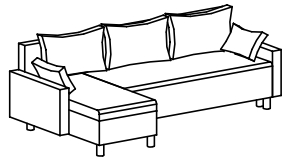
IV

II VERSION

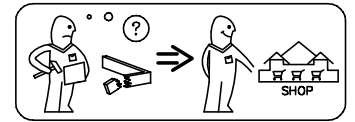
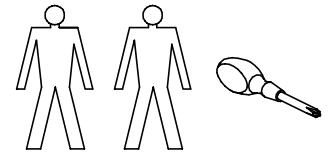
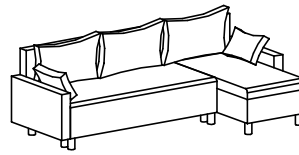


# BRICK C

I VERSION

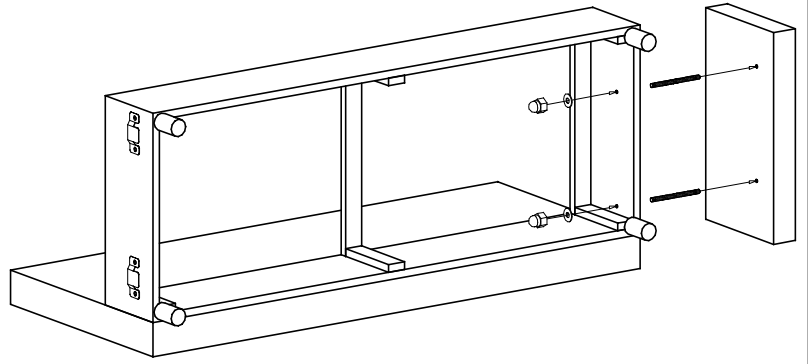
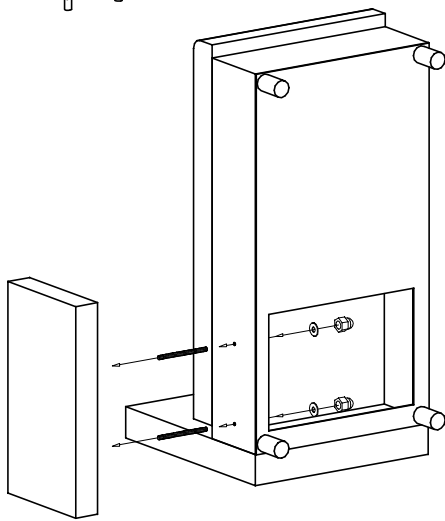
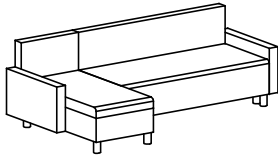


II VERSION



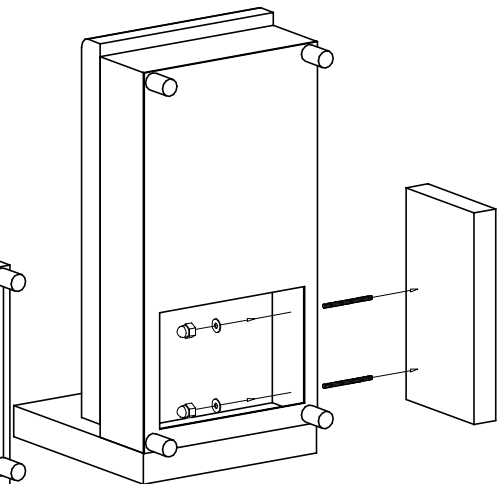
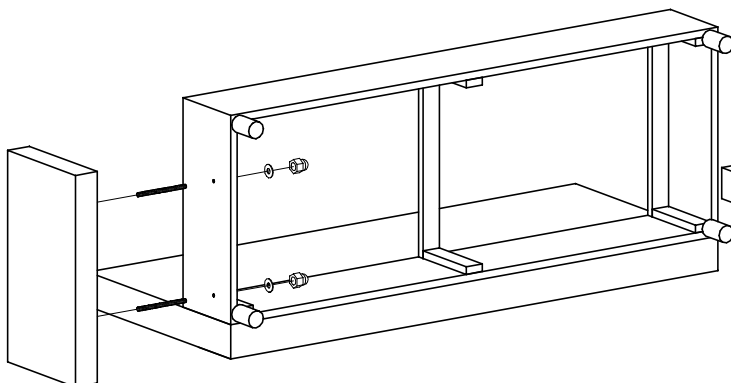
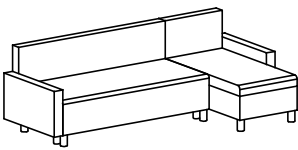
V

I VERSION



V

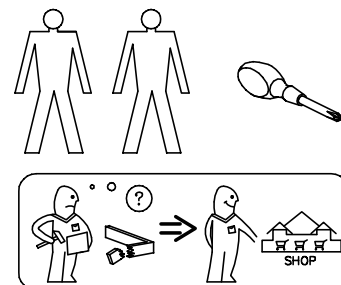
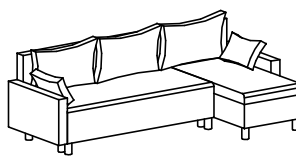
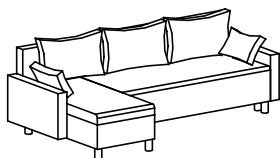
II VERSION



# BRICK C

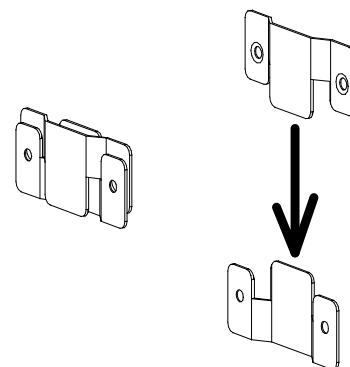
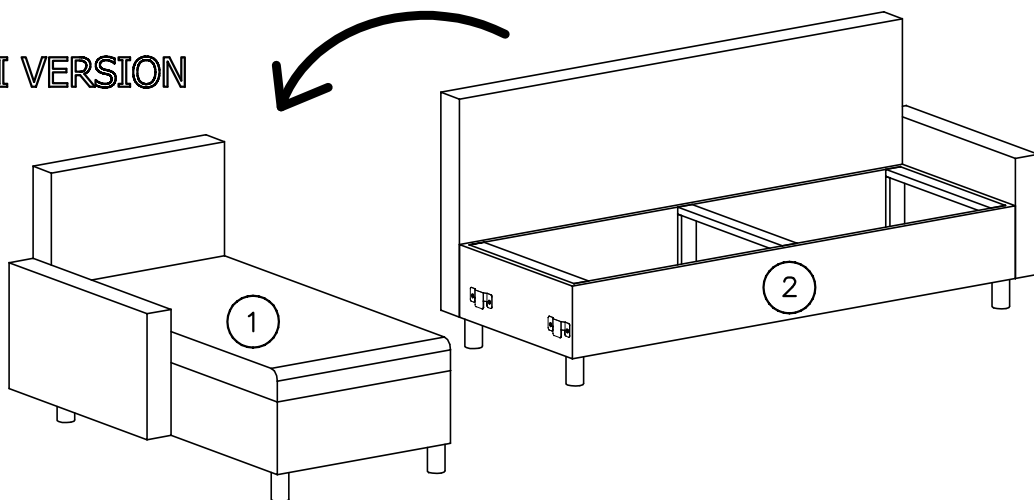
I VERSION

II VERSION



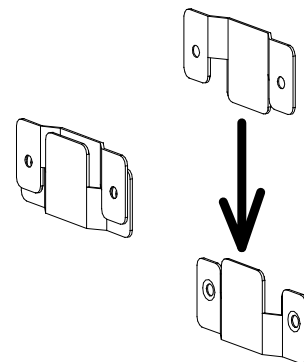
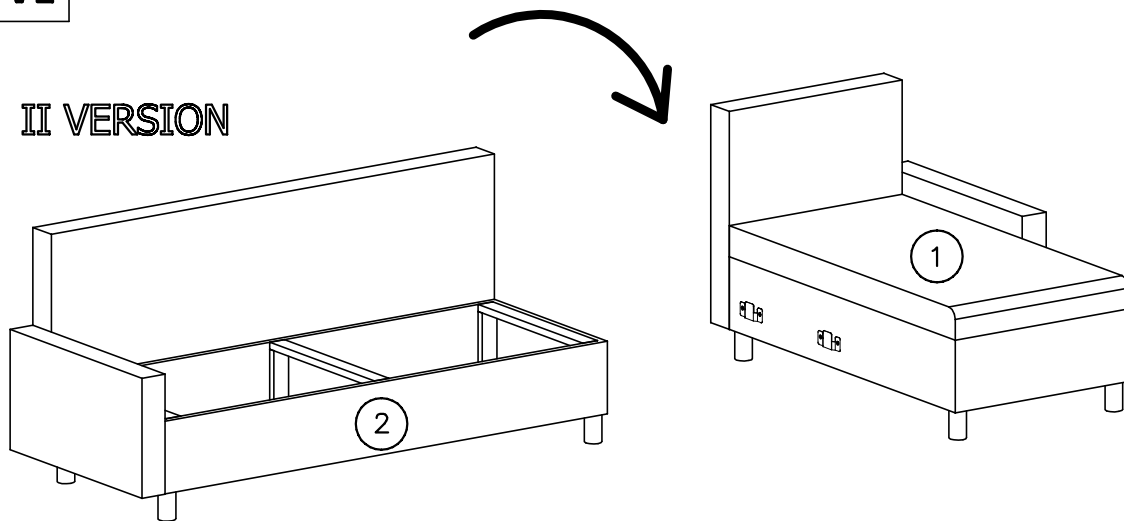
VI

I VERSION



VI

II VERSION



VII

