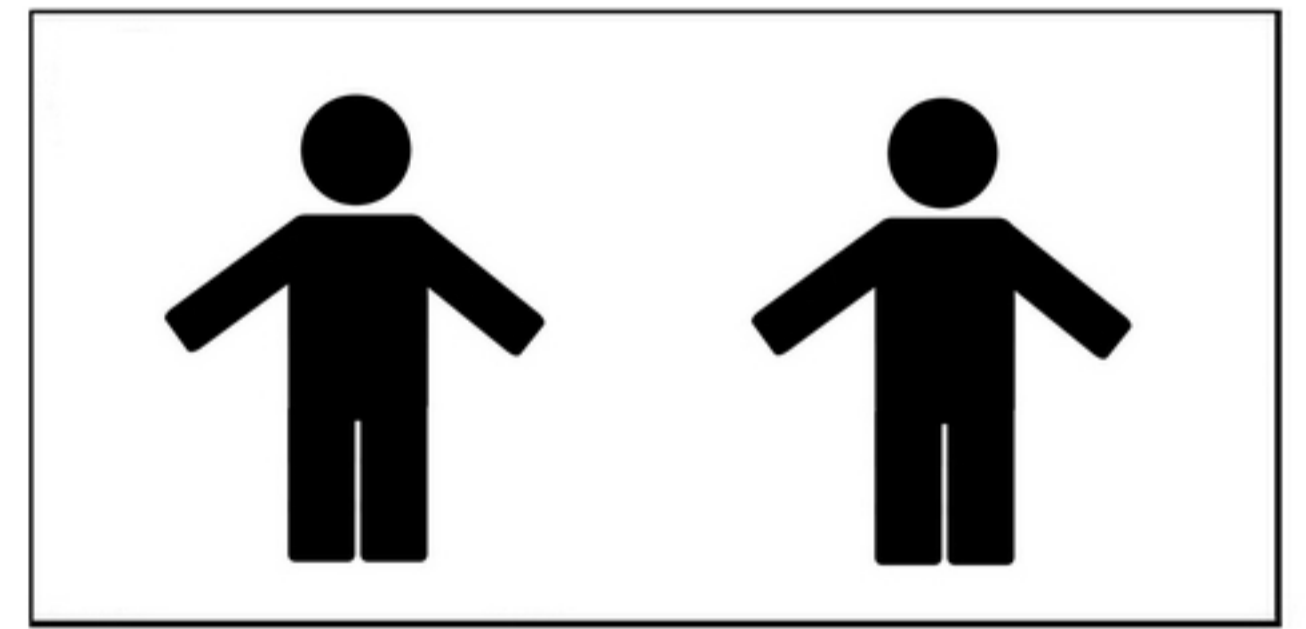
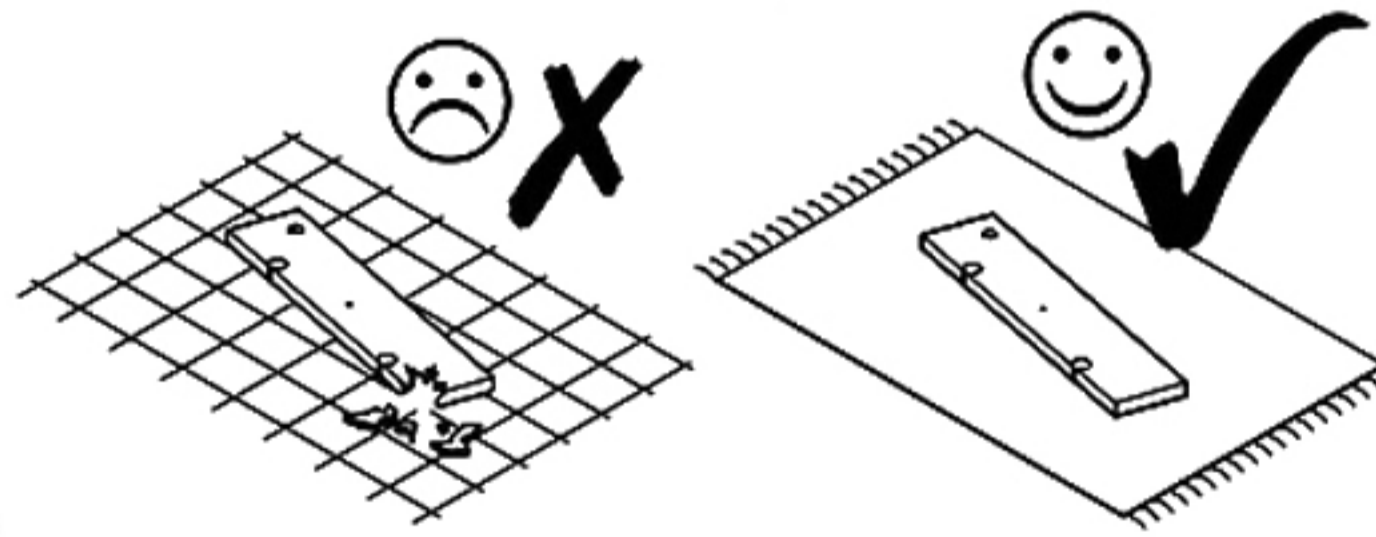
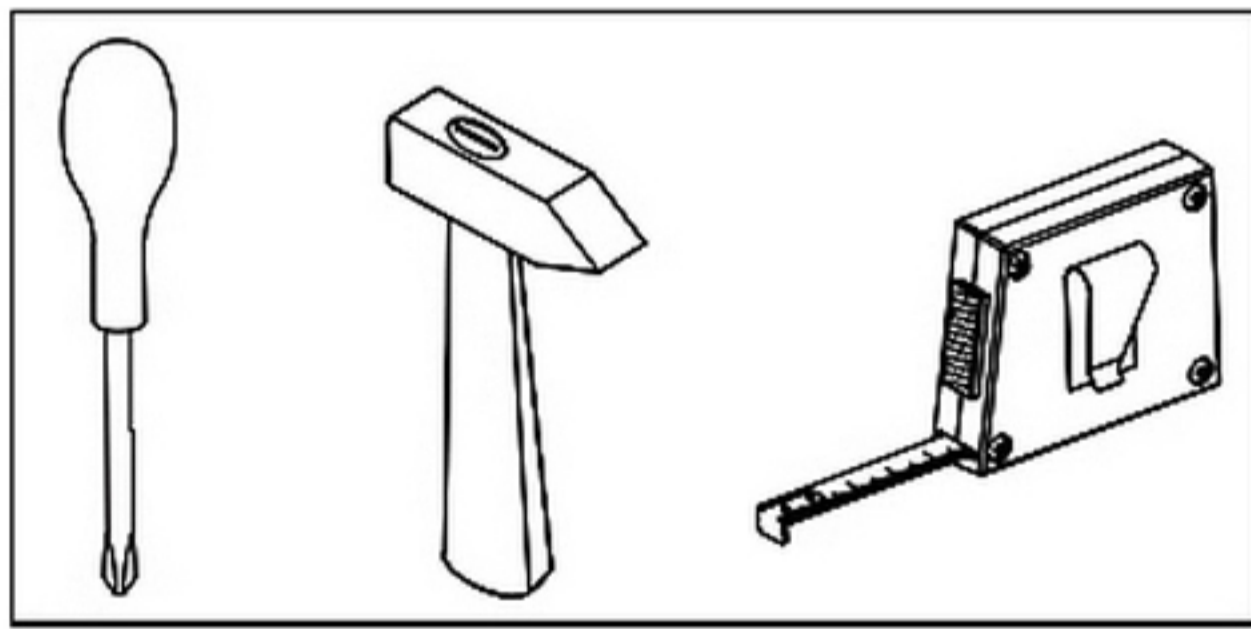
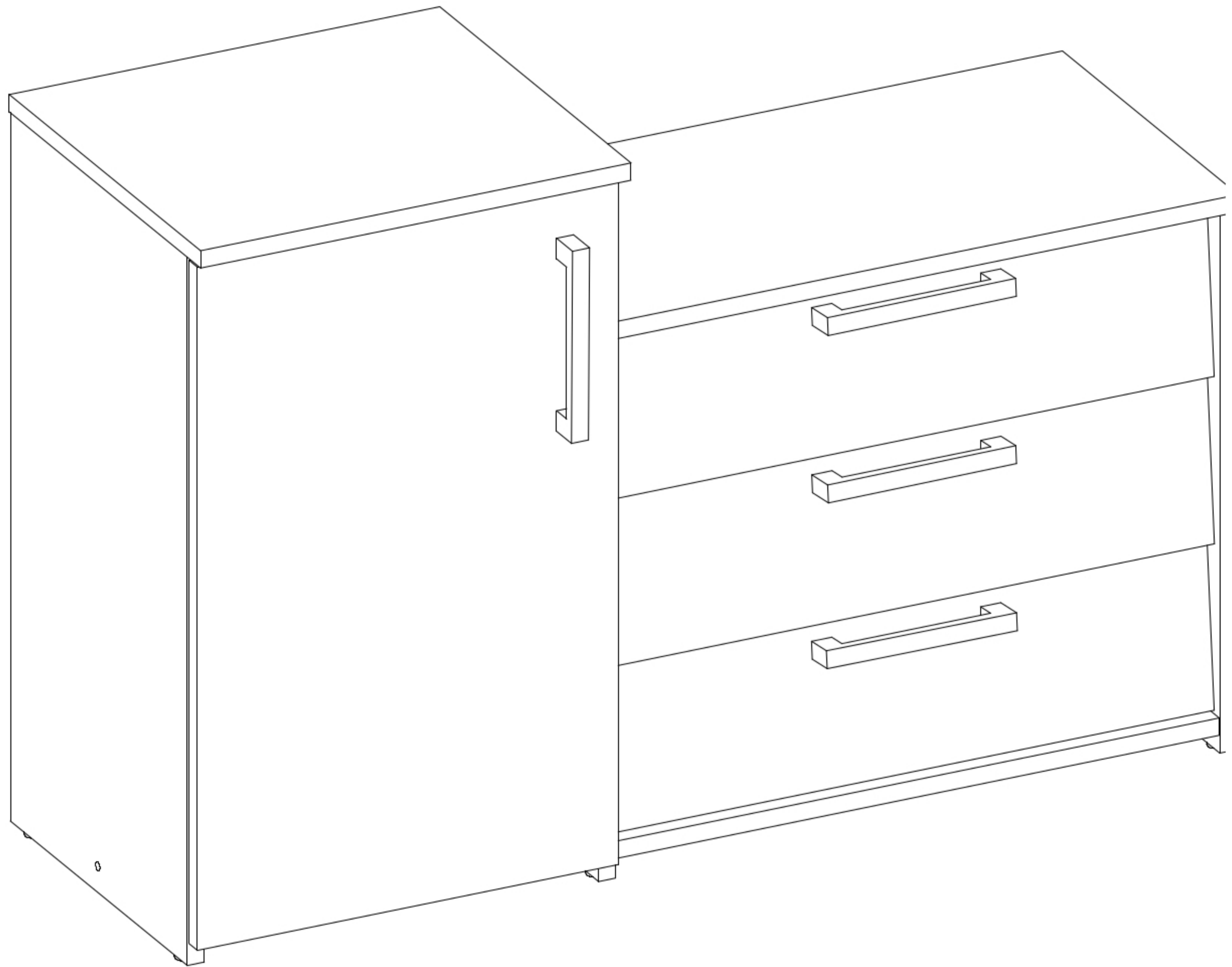
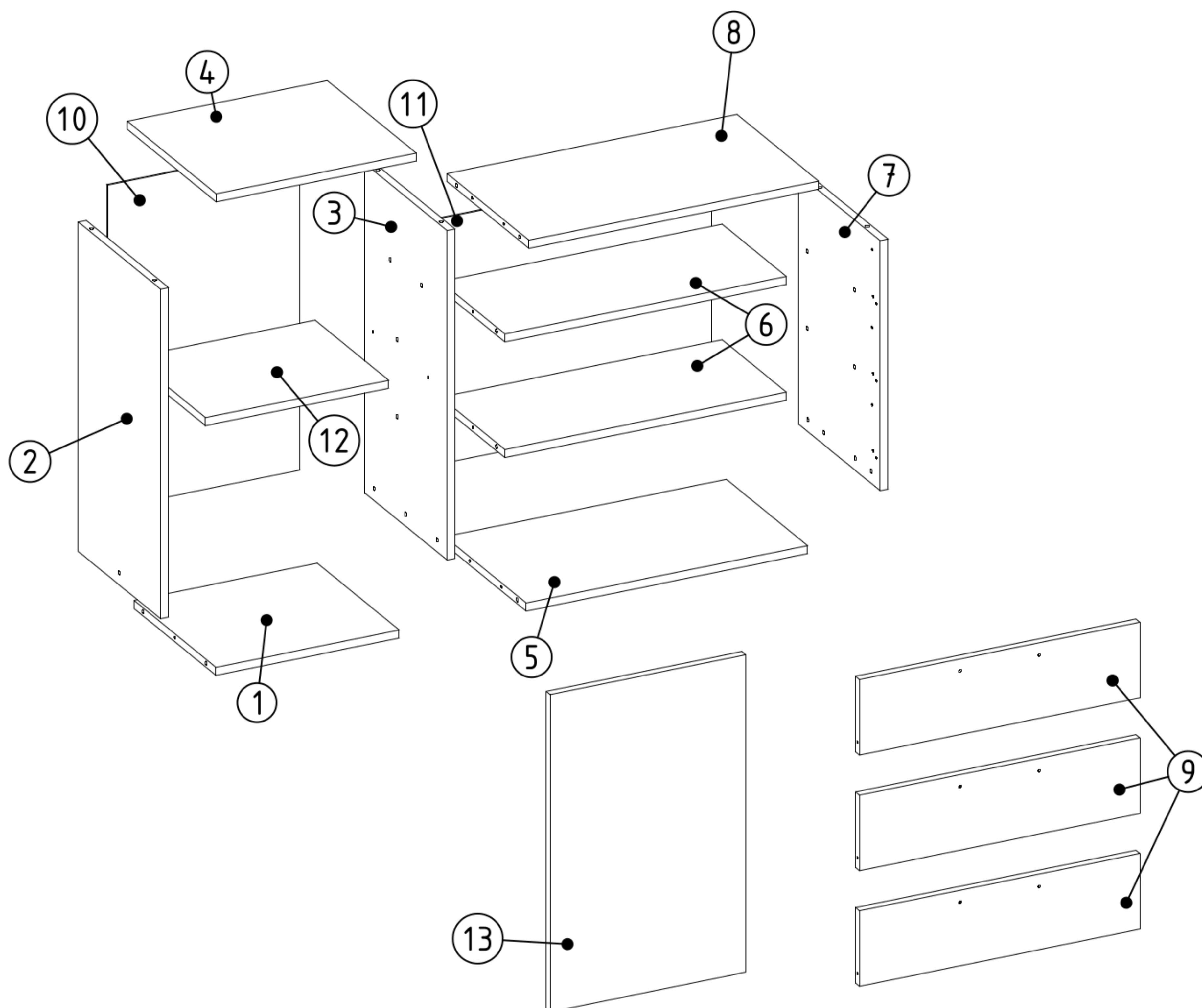


11.03.2020

# PARIS S

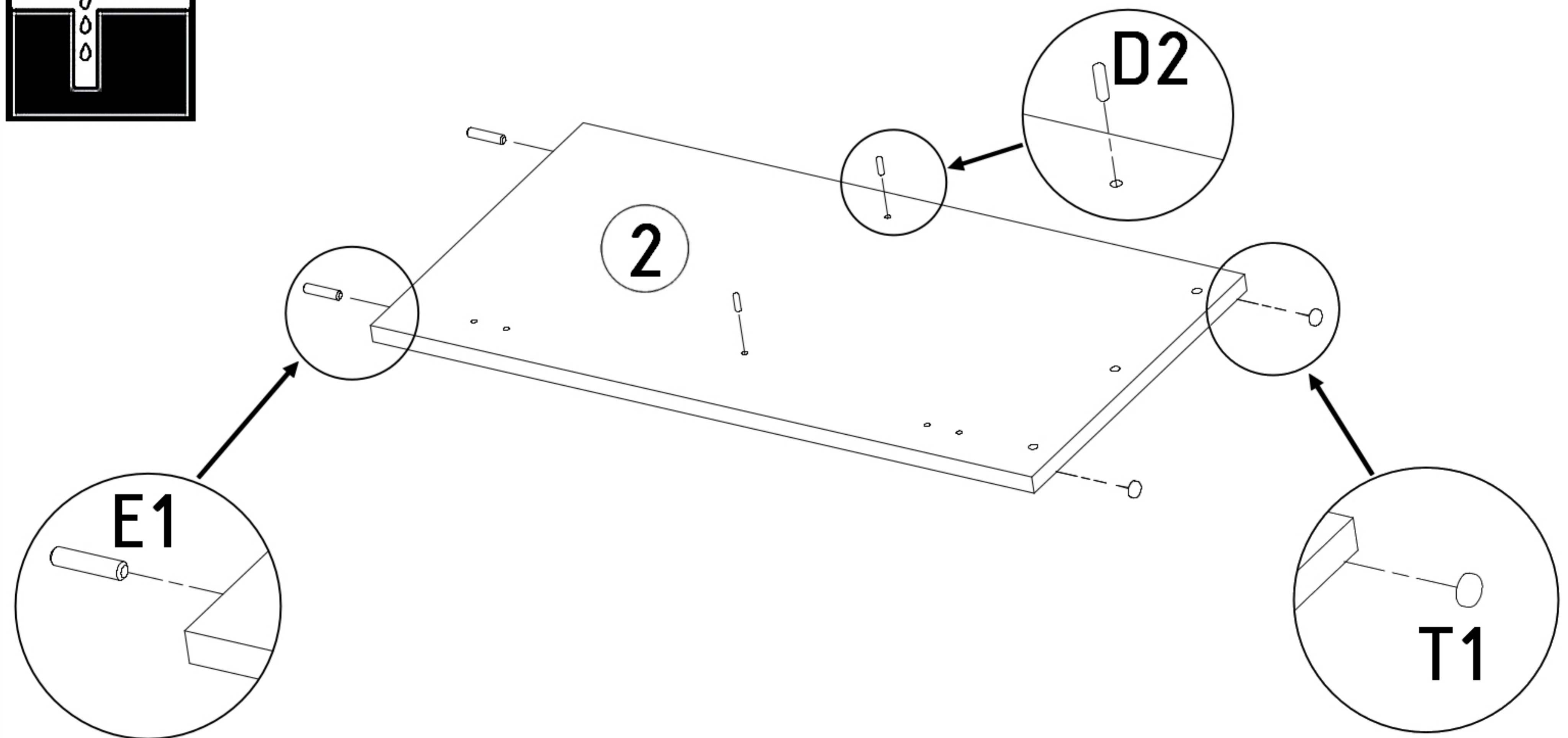
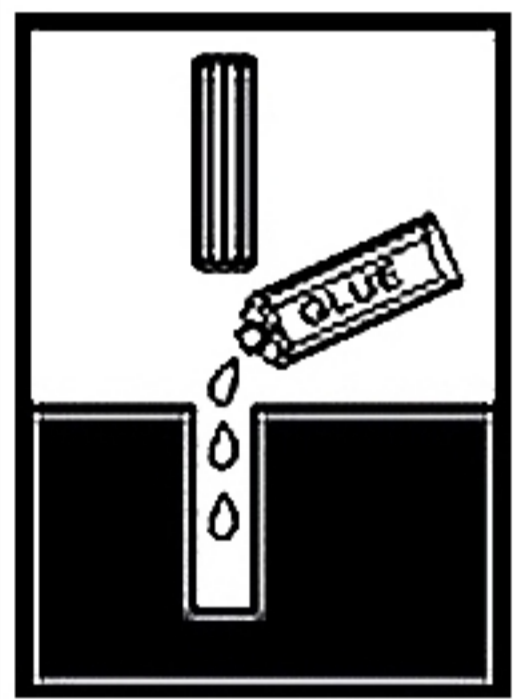
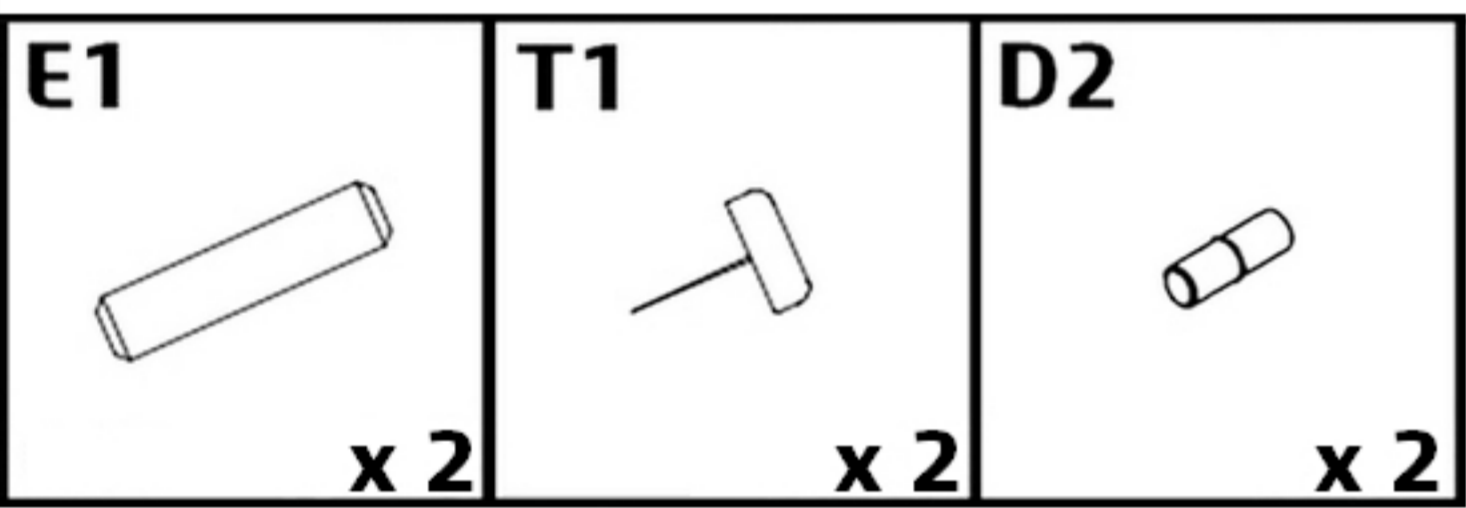
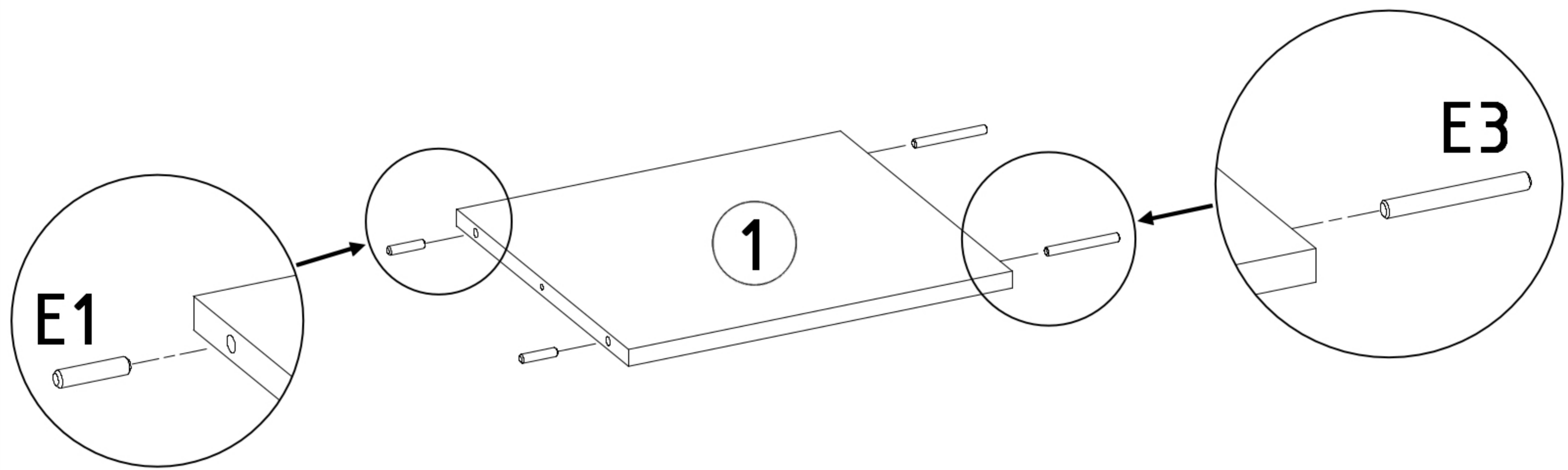
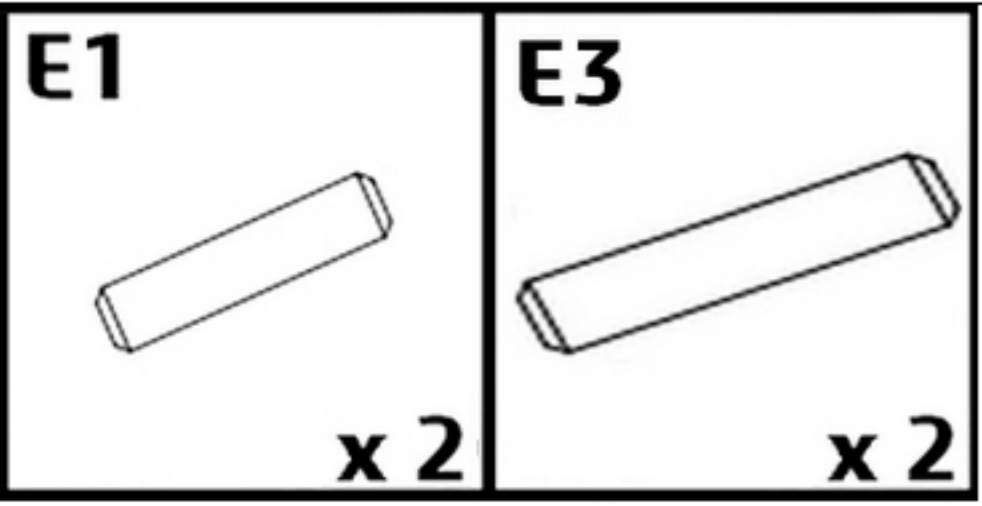



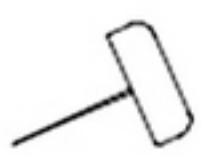

<b>K1</b>  <b>x 1</b>	<b>U4</b>  L=180mm <b>x 4</b>	 <b>x 1</b>	<b>S1</b>  3,5x16mm <b>x 4</b>	<b>E1</b>  8x35mm <b>x 20</b>	<b>E3</b>  8x70mm <b>x 2</b>	<b>D2</b>  5x16mm <b>x 22</b>
<b>T1</b>  <b>x 6</b>	<b>Z2</b>  <b>x 30</b>	<b>S4</b>  4x27mm <b>x 8</b>	<b>R0</b>  <b>x 2</b>	<b>F1</b>  x12 <b>x 3</b>	<b>F2</b>  7x50mm <b>x 8</b>	<b>Z4</b>  <b>x 4</b>

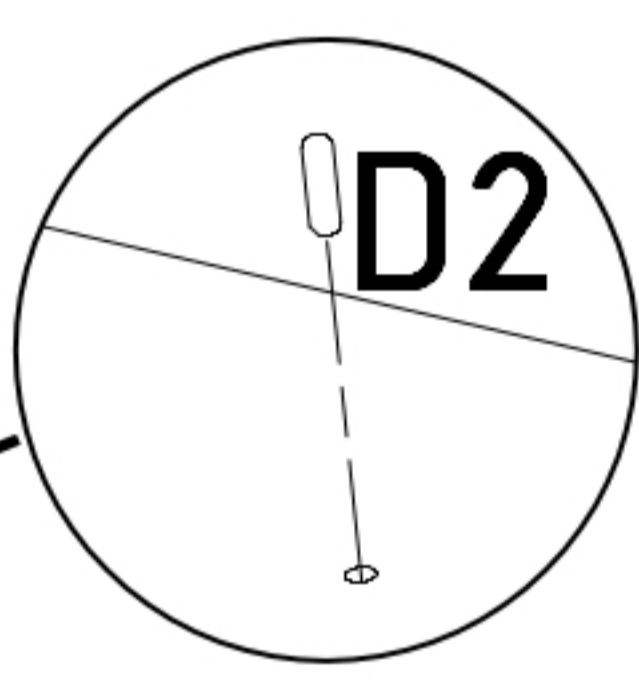
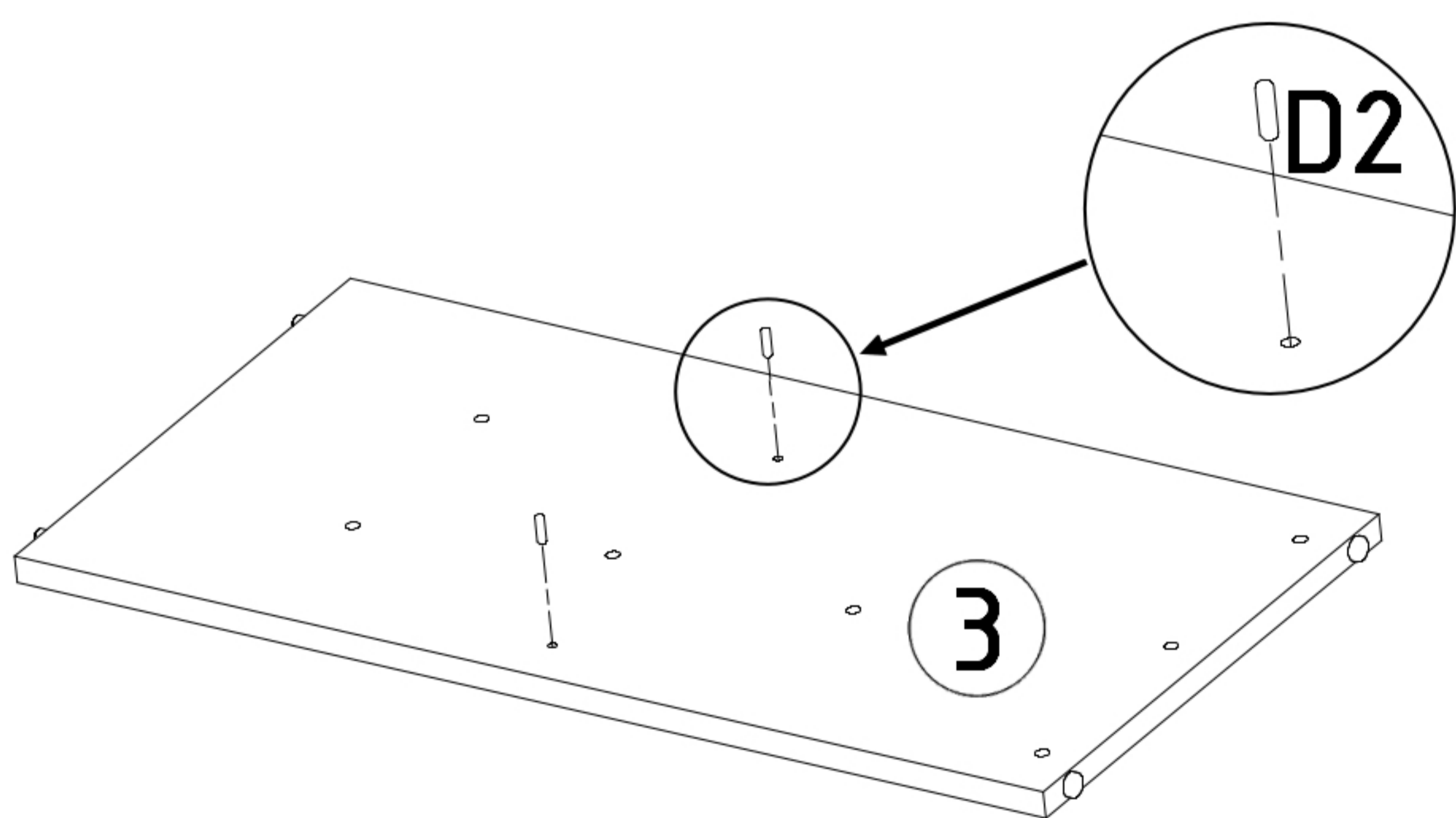
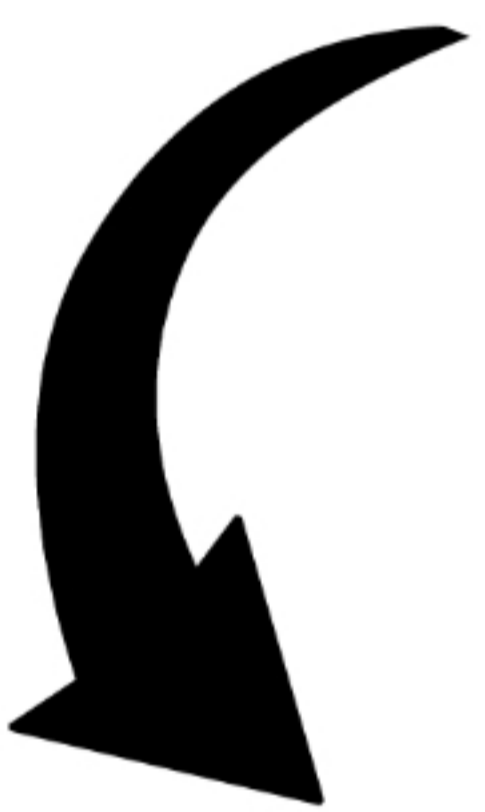
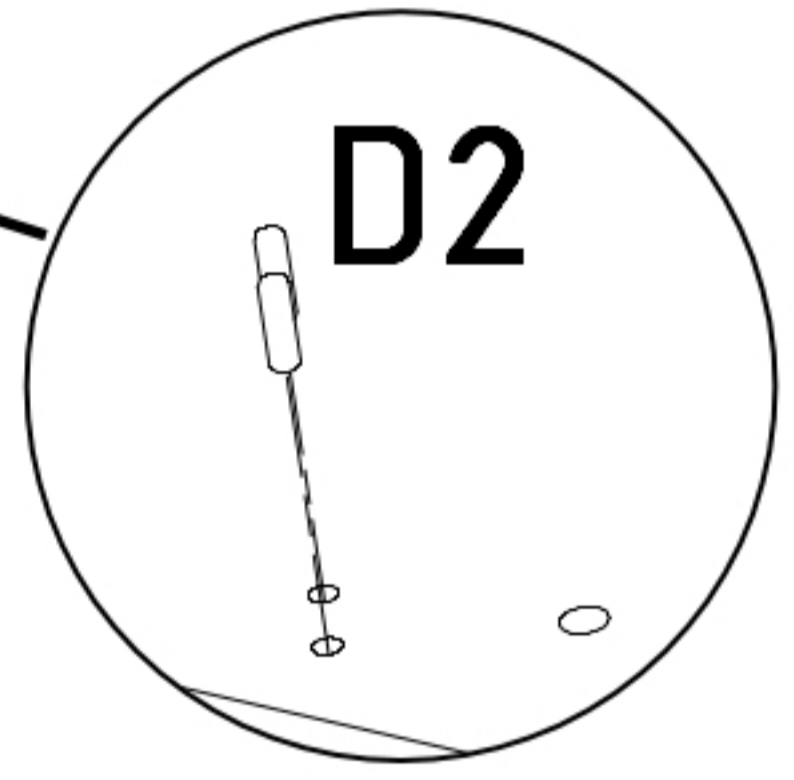
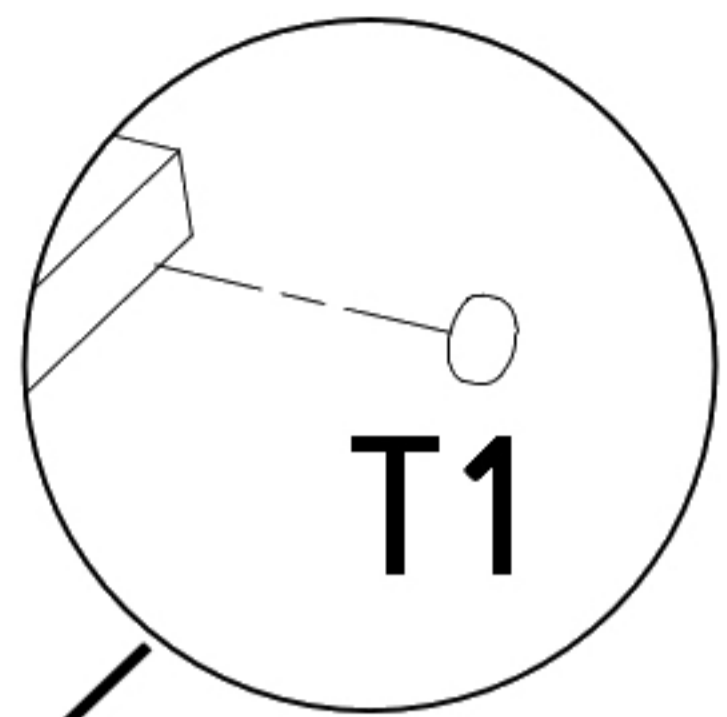
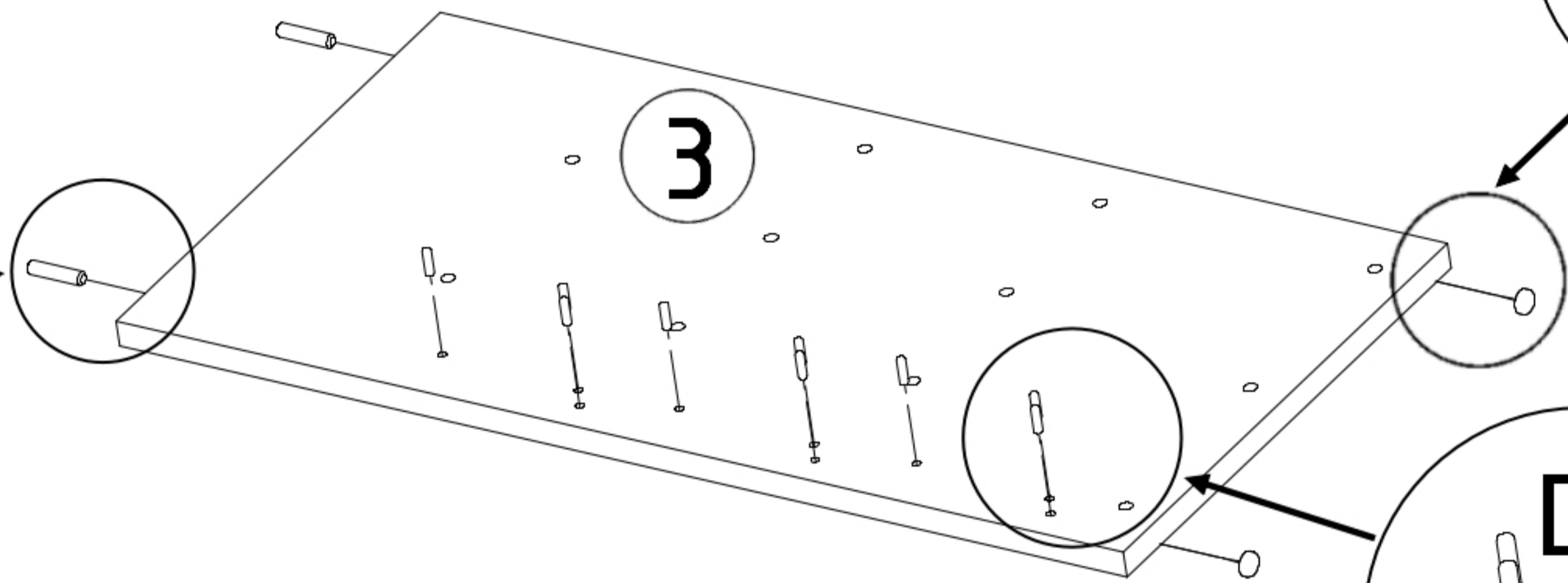
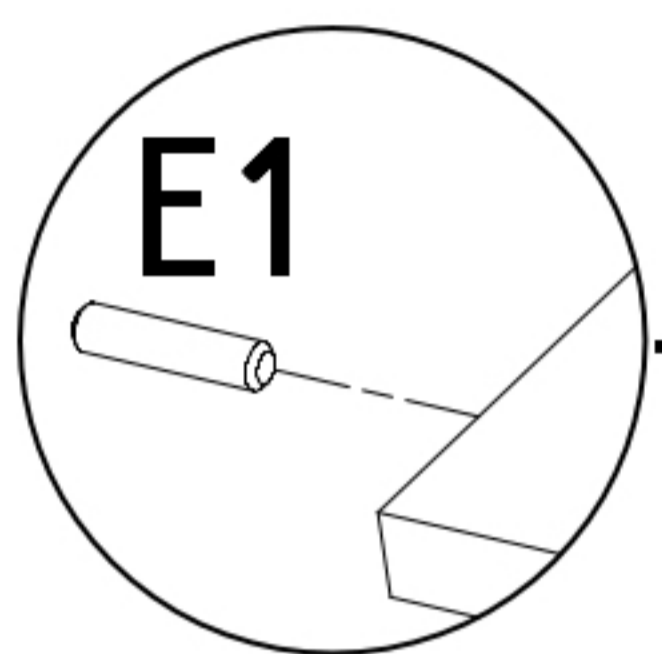
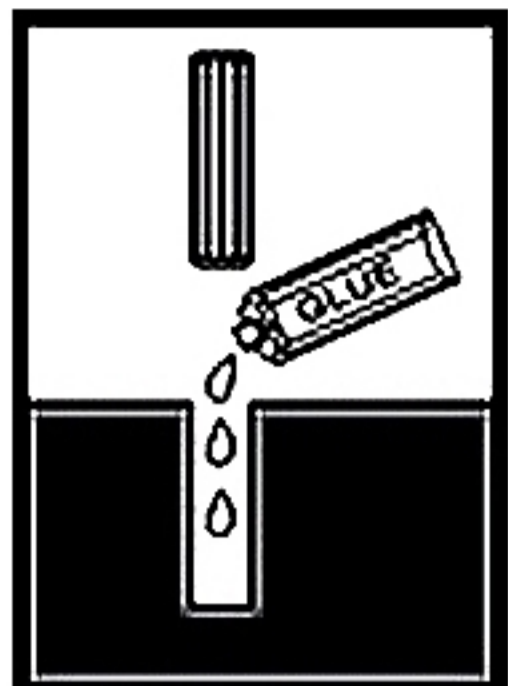


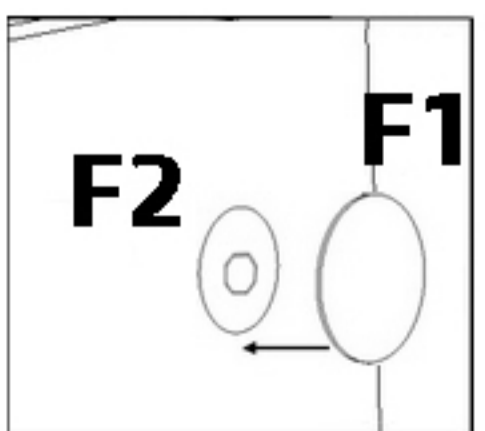
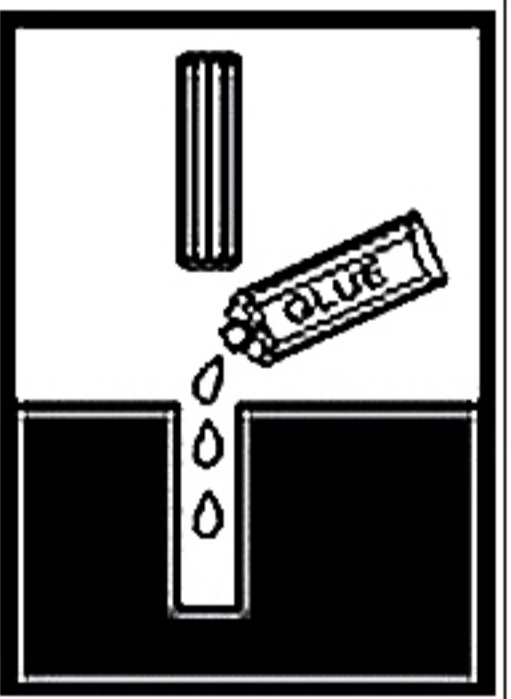
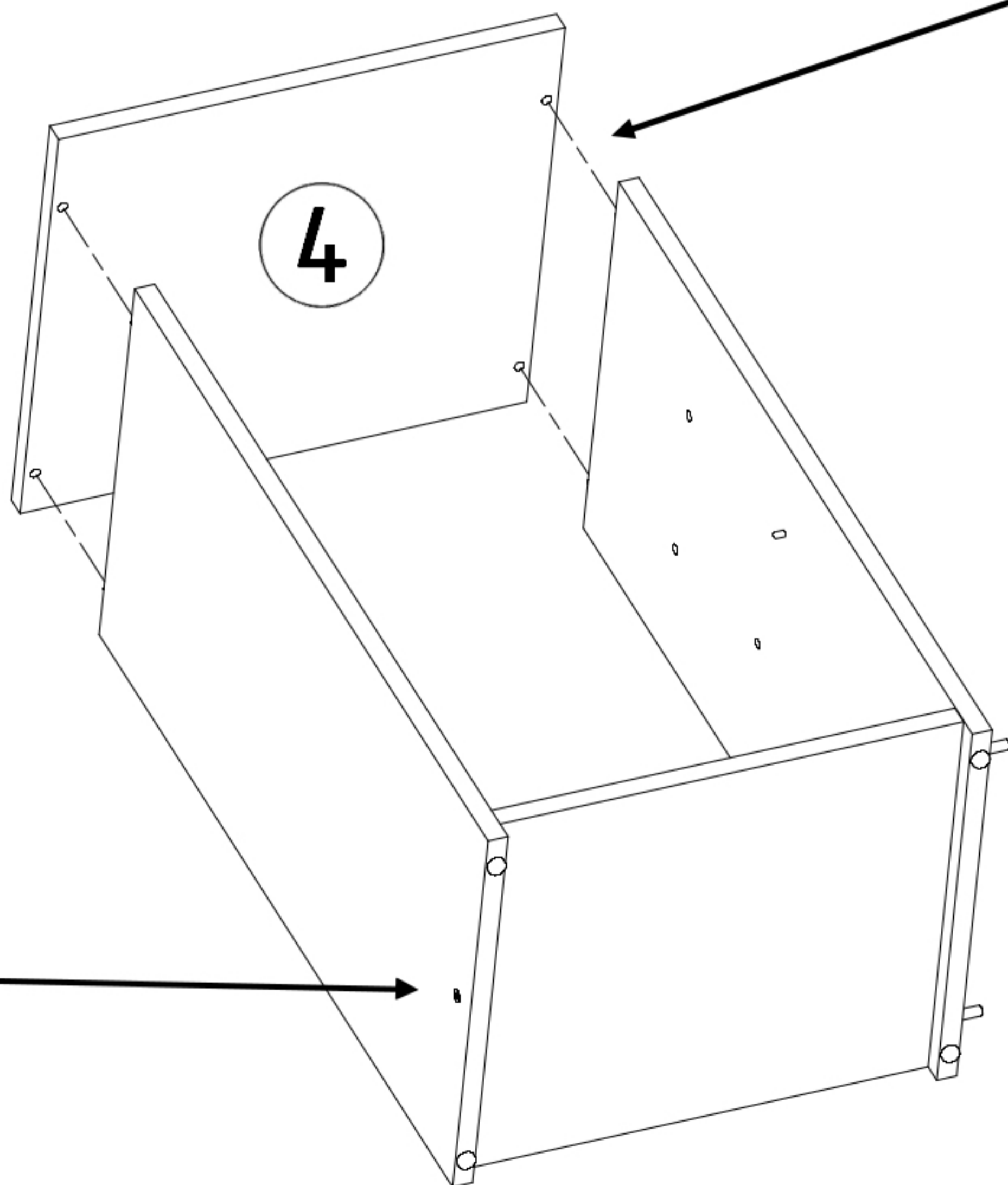
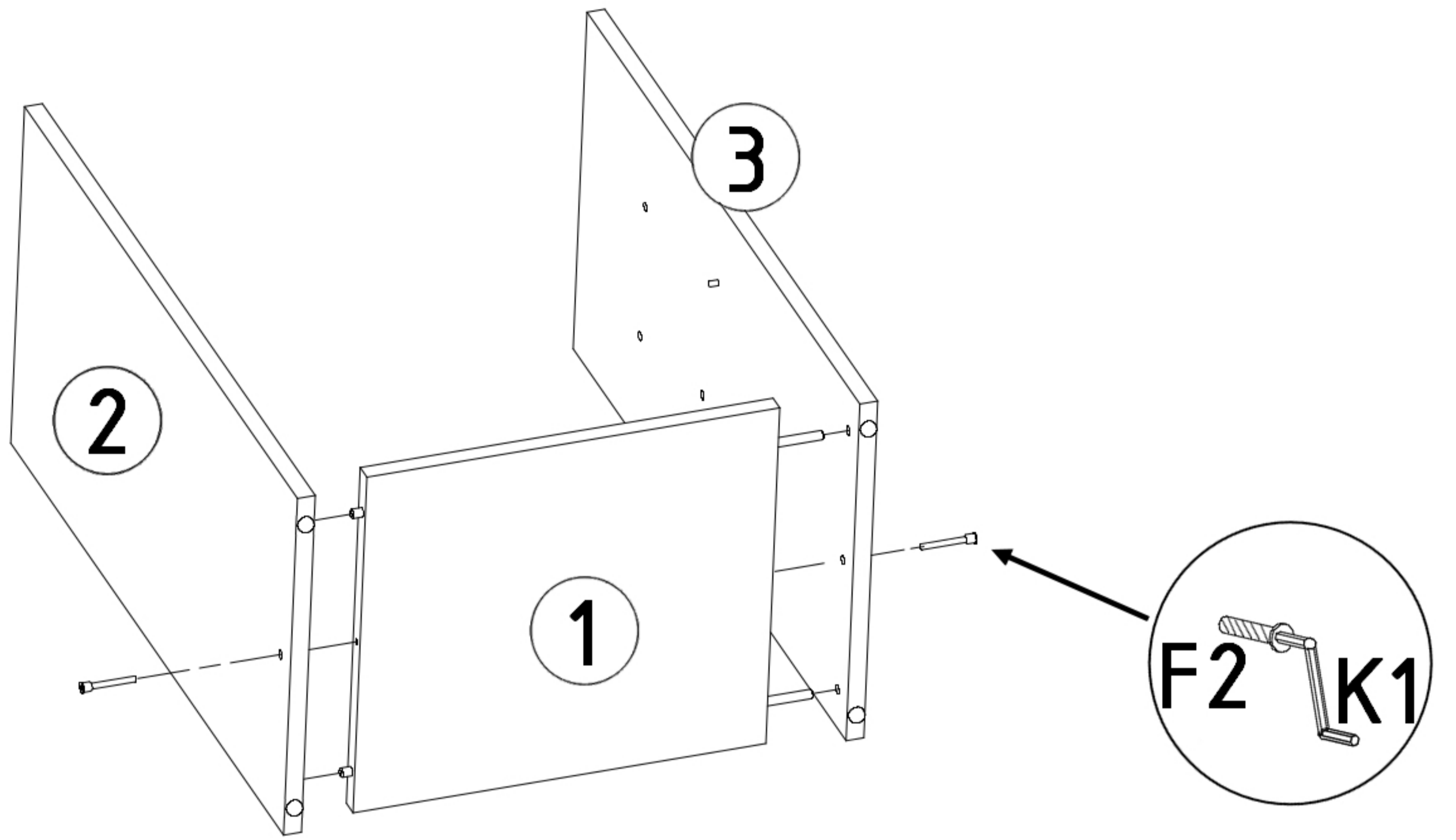
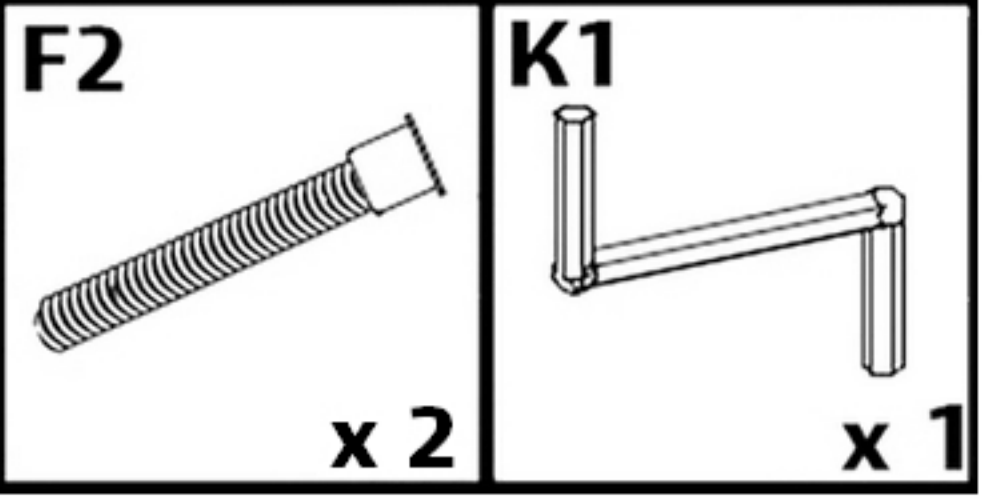
<b>1</b>	x 1
<b>2</b>	x 1
<b>3</b>	x 1
<b>4</b>	x 1
<b>5</b>	x 1
<b>6</b>	x 2
<b>7</b>	x 1

<b>8</b>	x 1
<b>9</b>	x 3
<b>10</b>	x 1
<b>11</b>	x 1
<b>12</b>	x 1
<b>13</b>	x 1

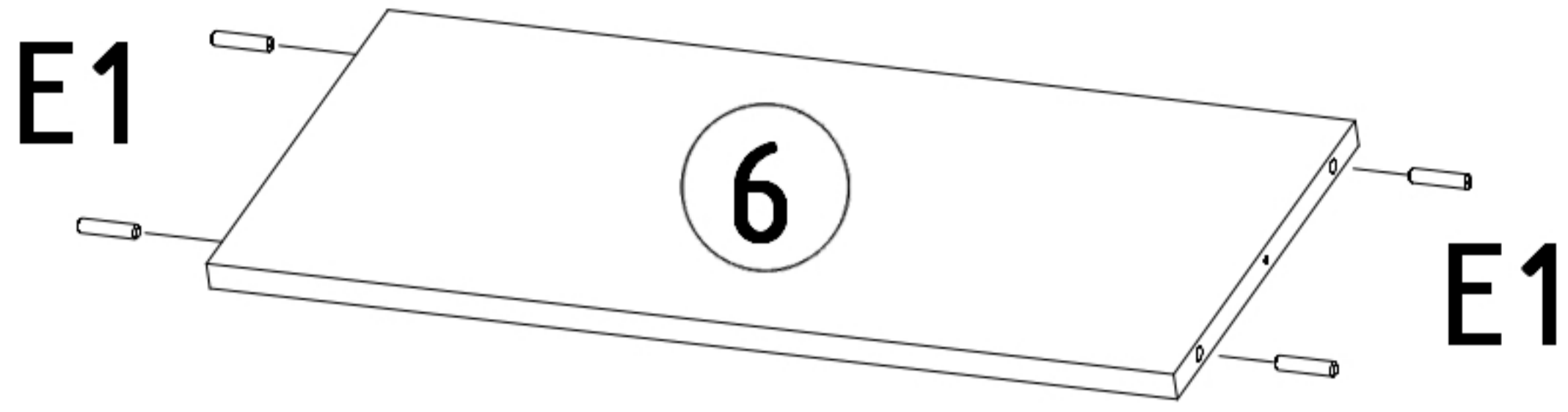
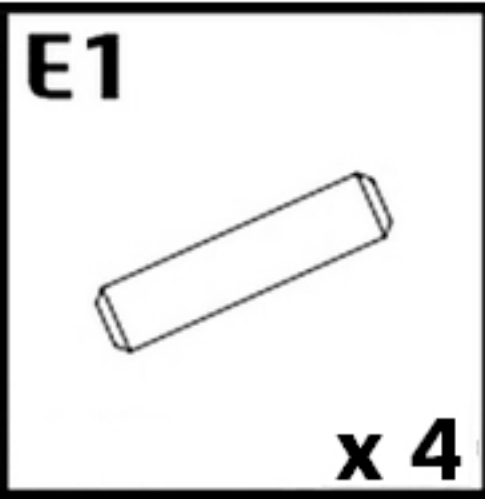


<b>E1</b>  x 2	<b>T1</b>  x 2	<b>D2</b>  x 11
--	---	--

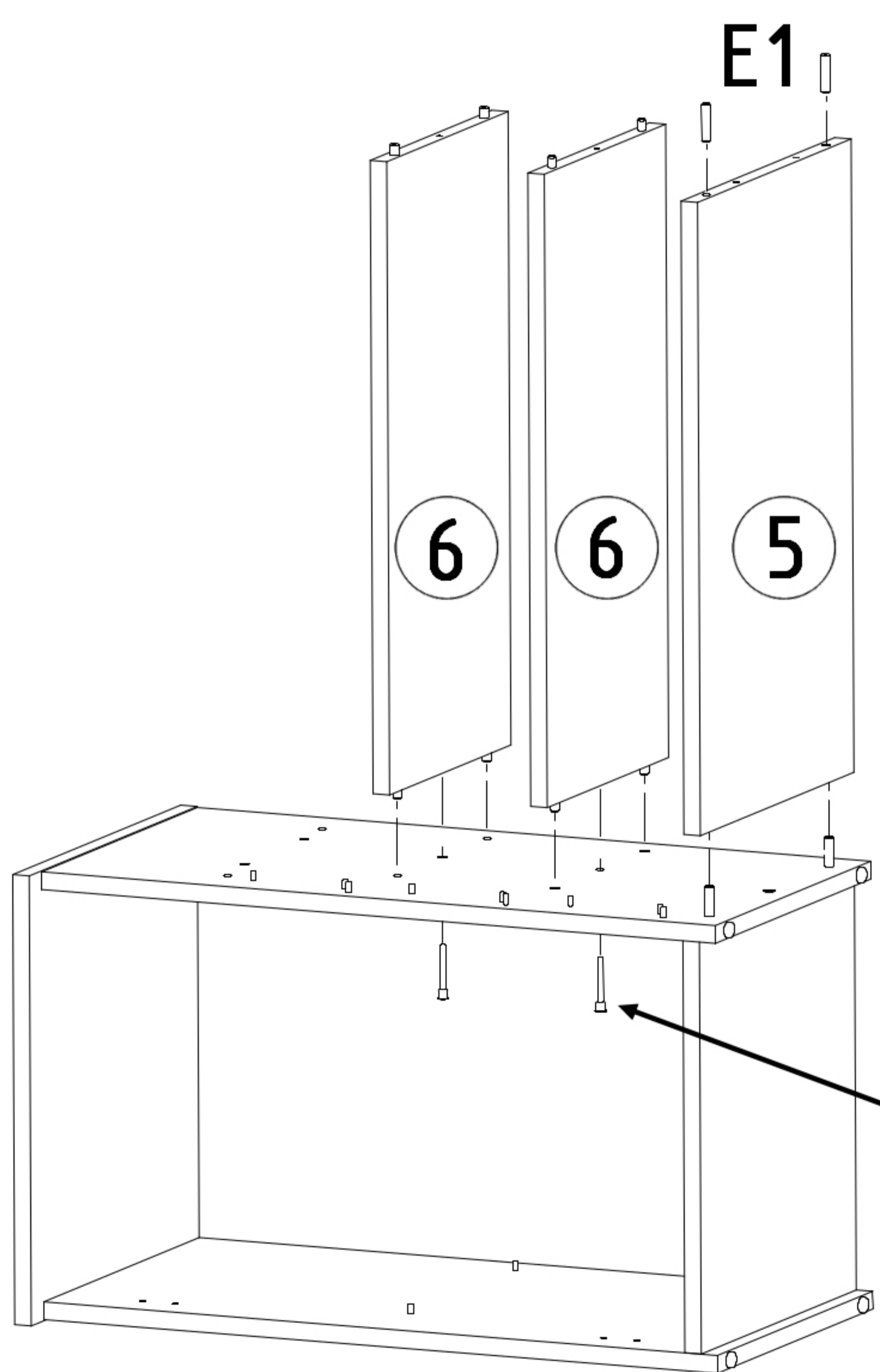
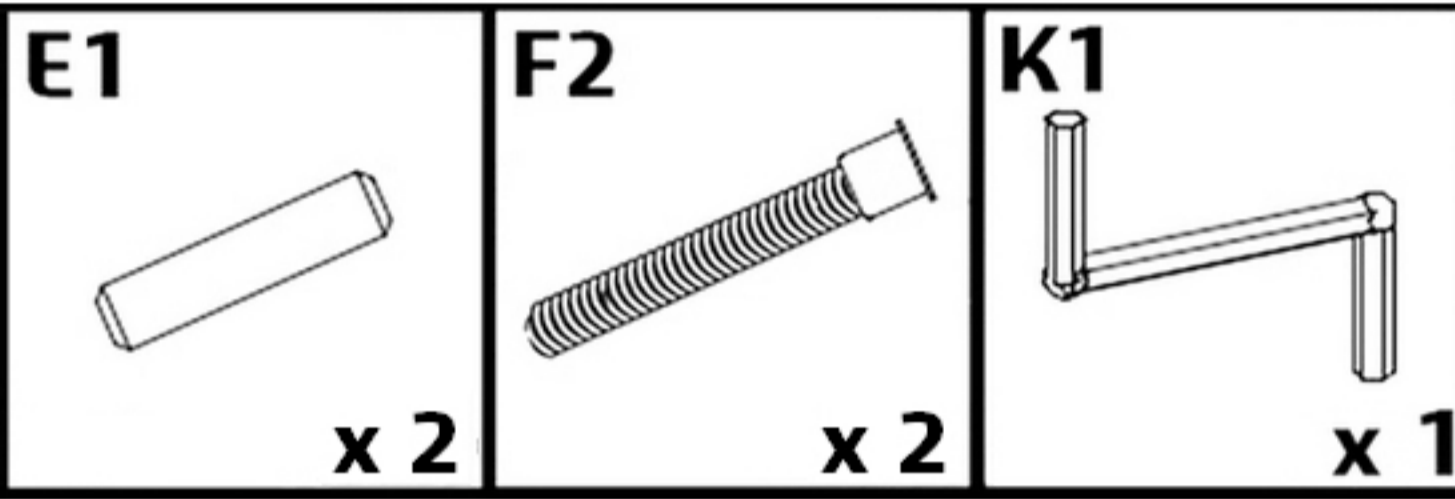



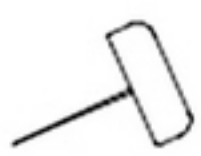



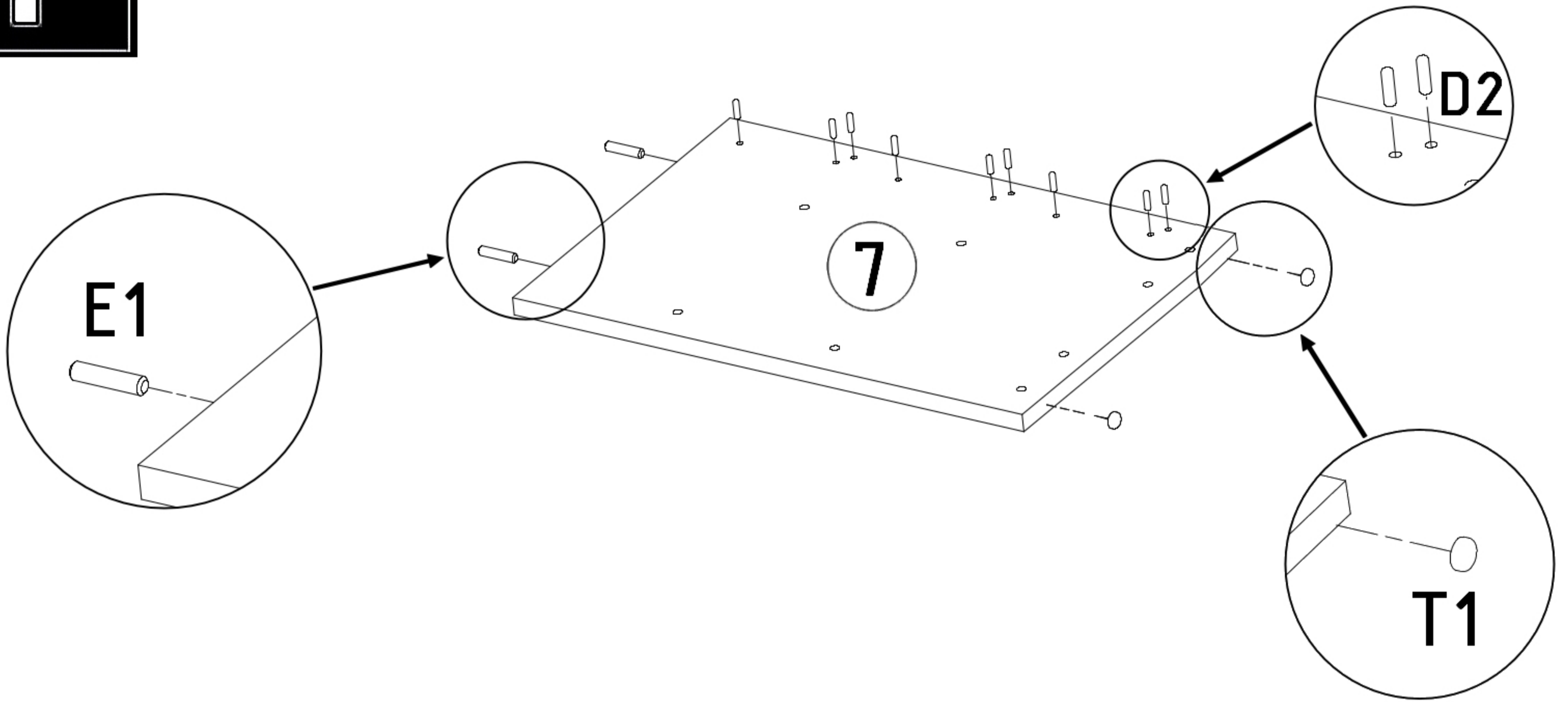
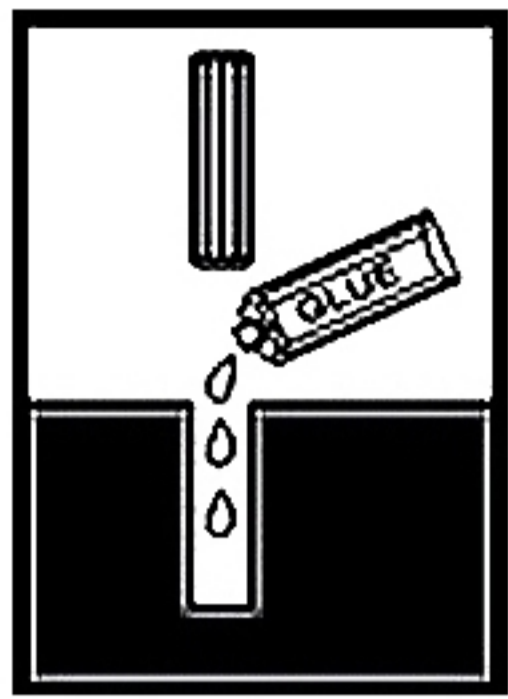
5




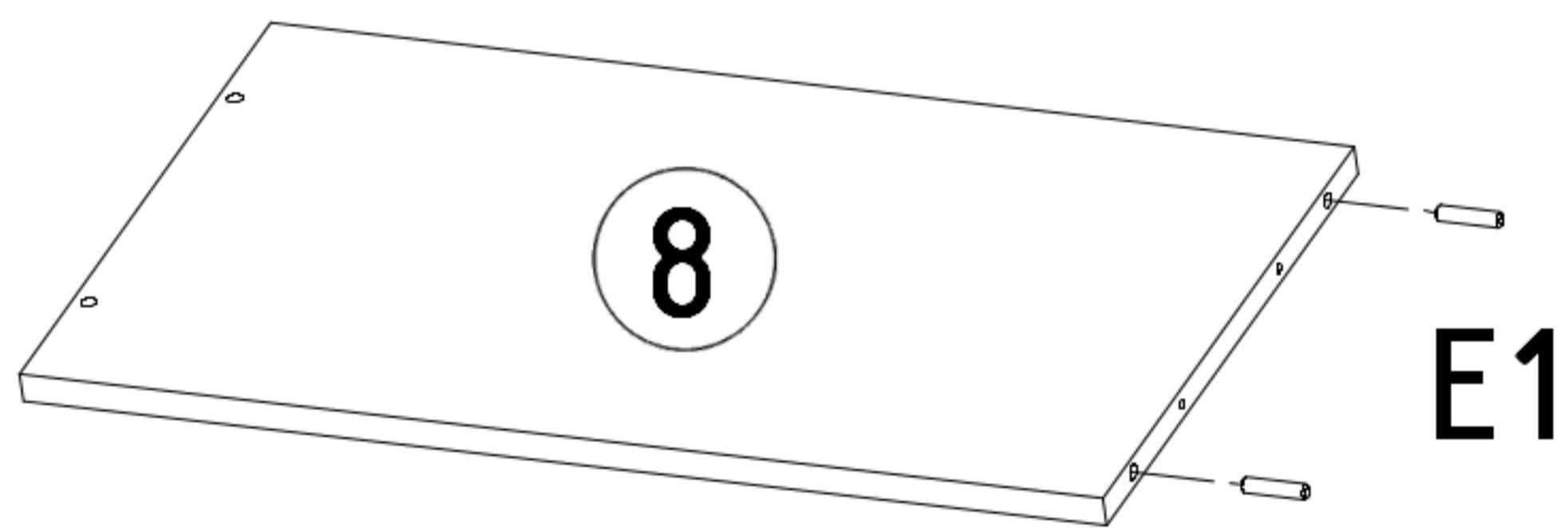
x 2



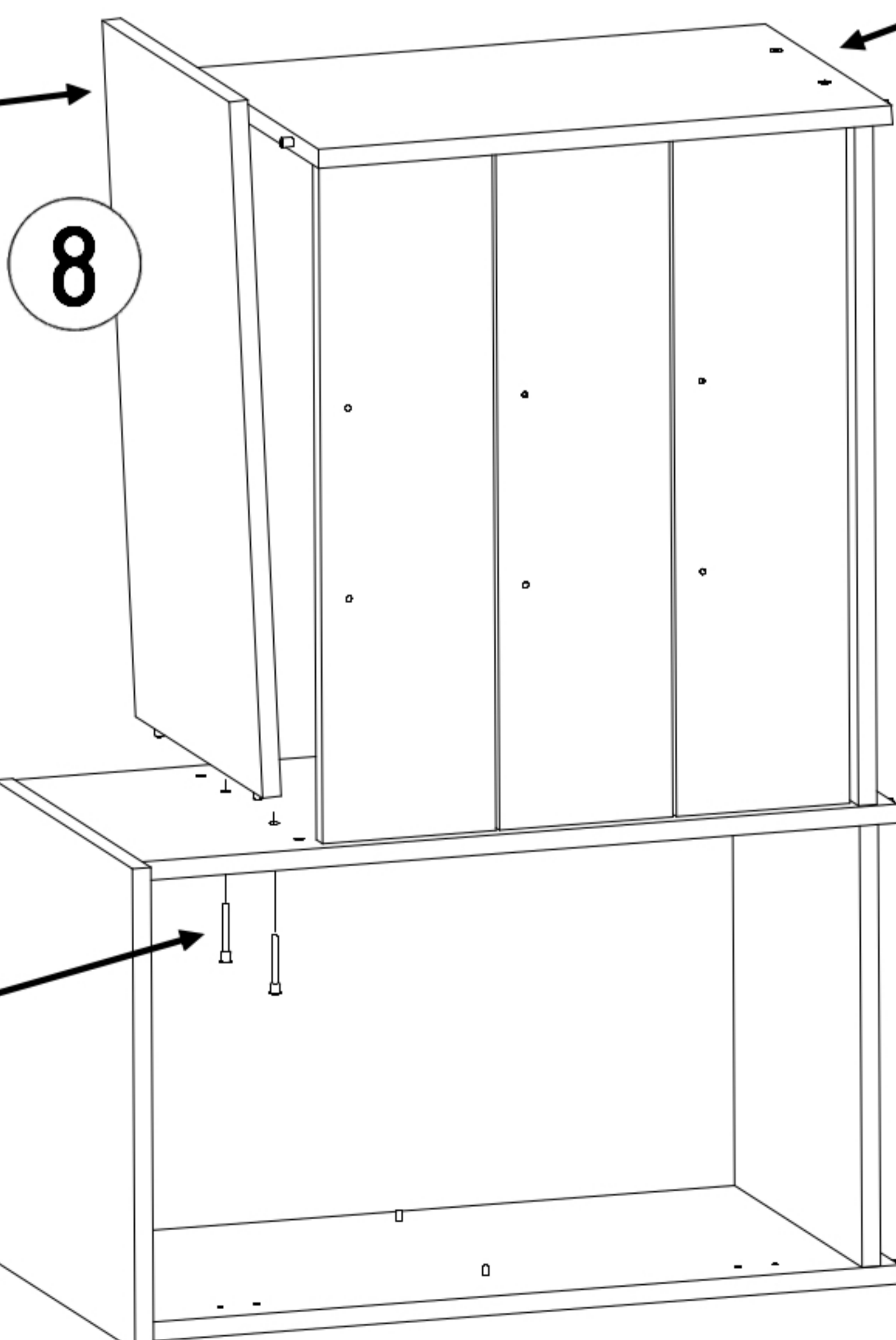
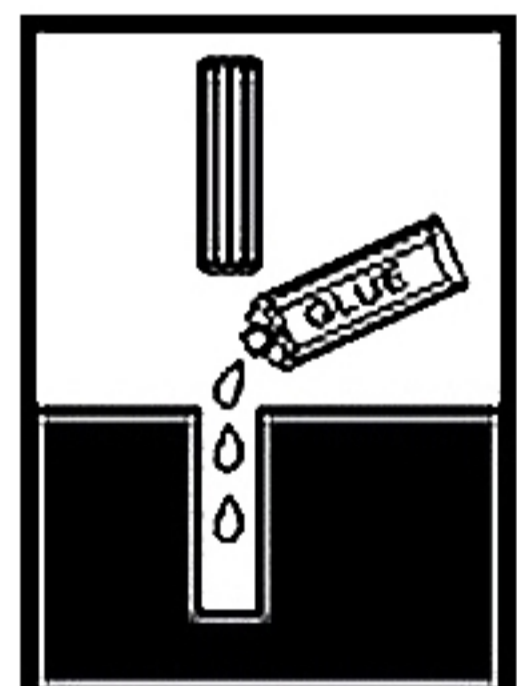
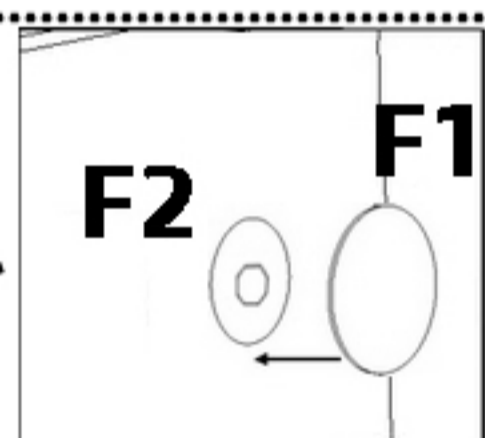
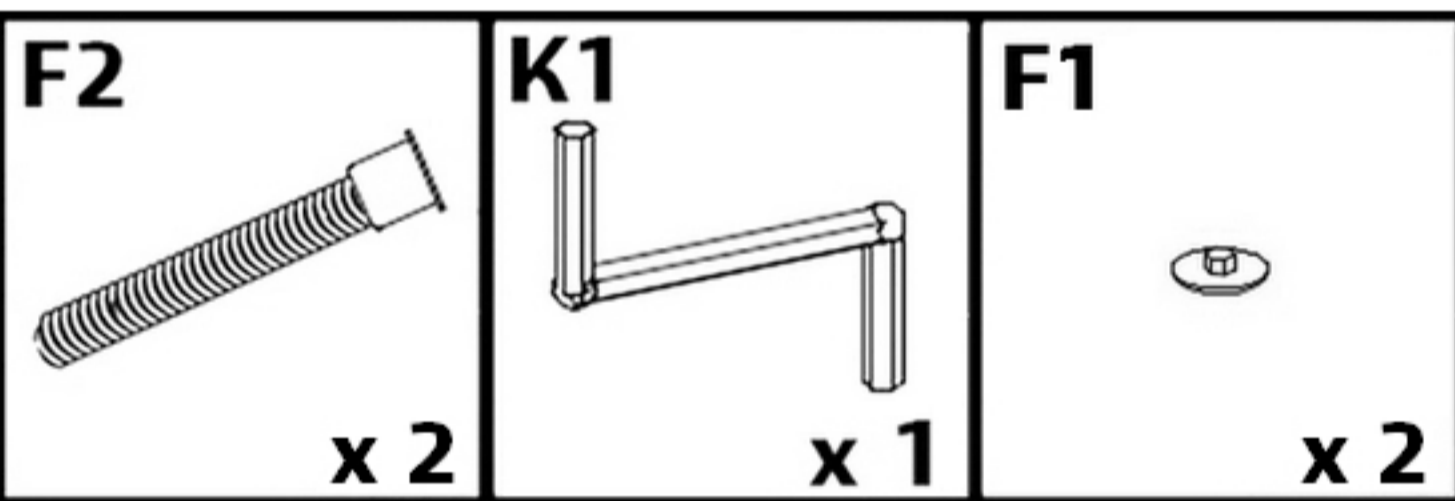
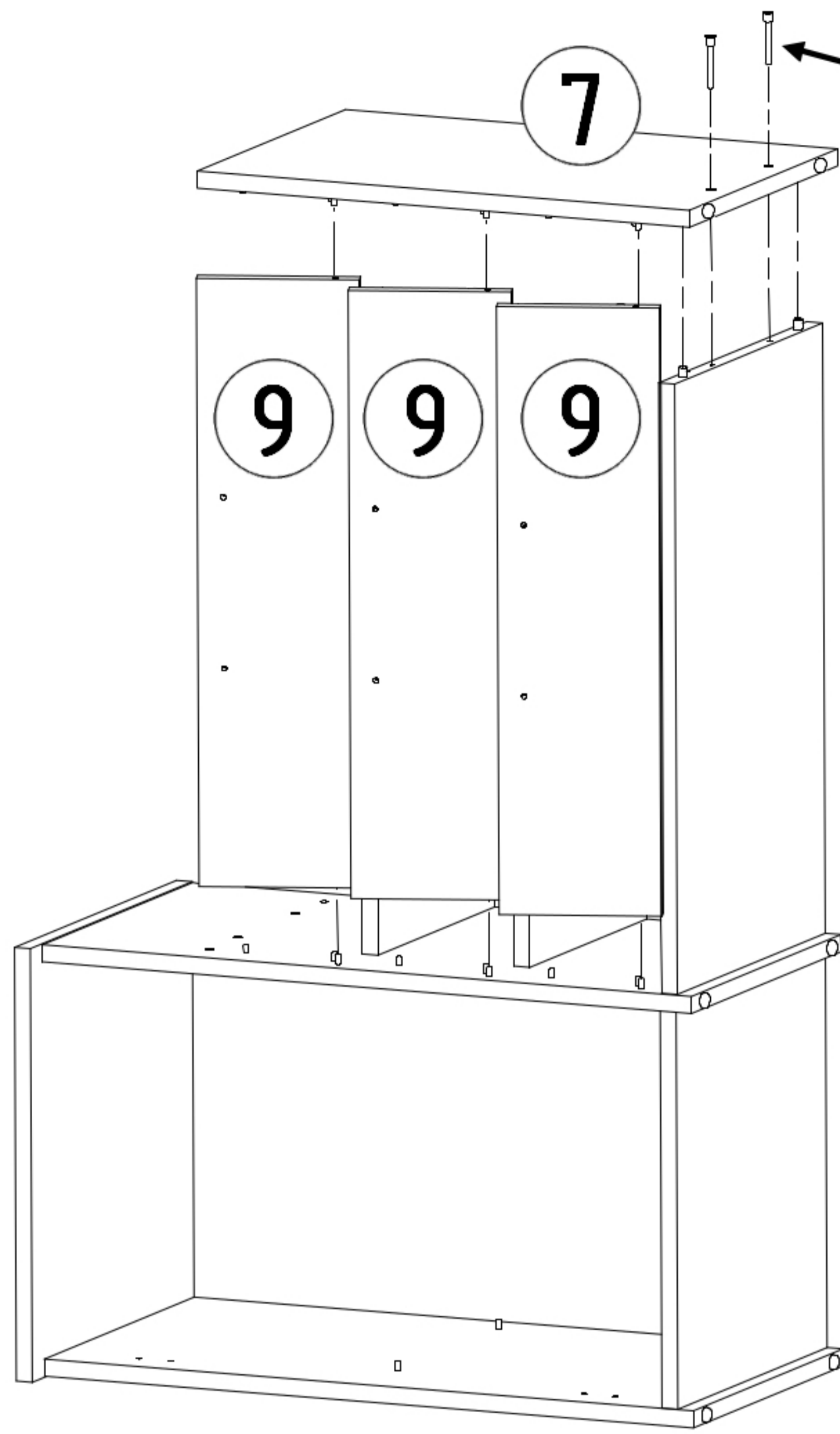
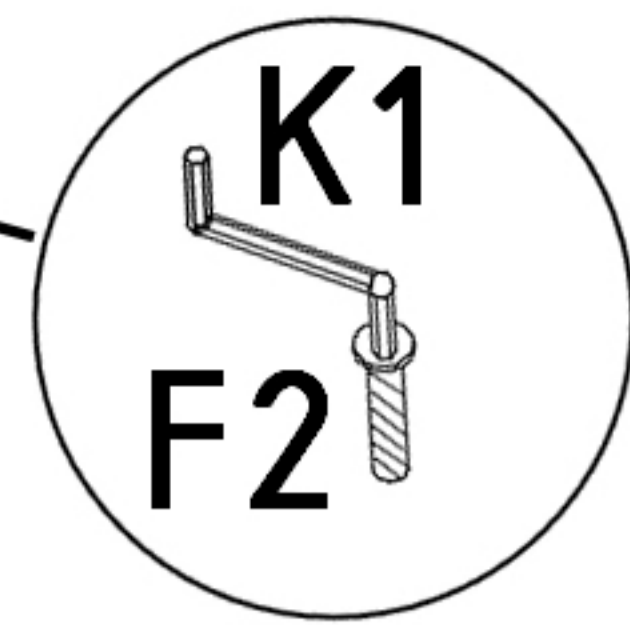
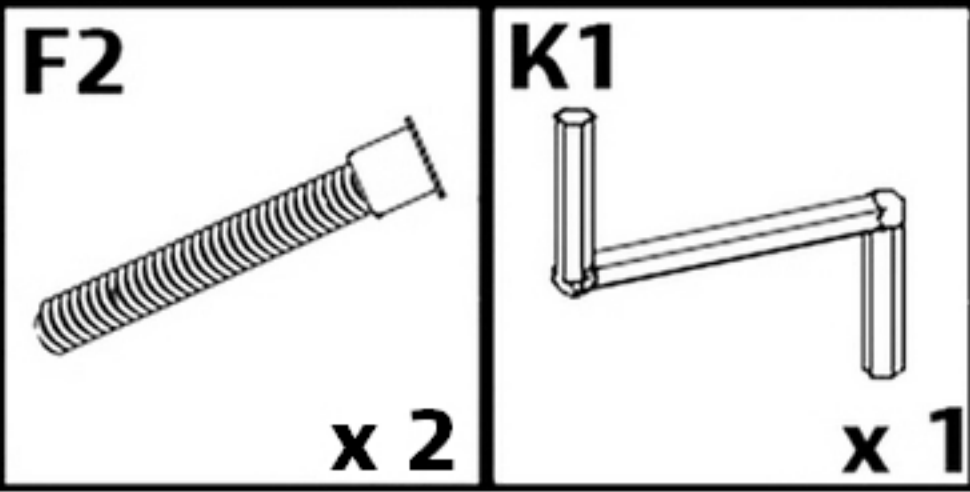
<b>E1</b>  x 2	<b>T1</b>  x 2	<b>D2</b>  x 9
--	---	---





<b>E1</b>  x 2
--

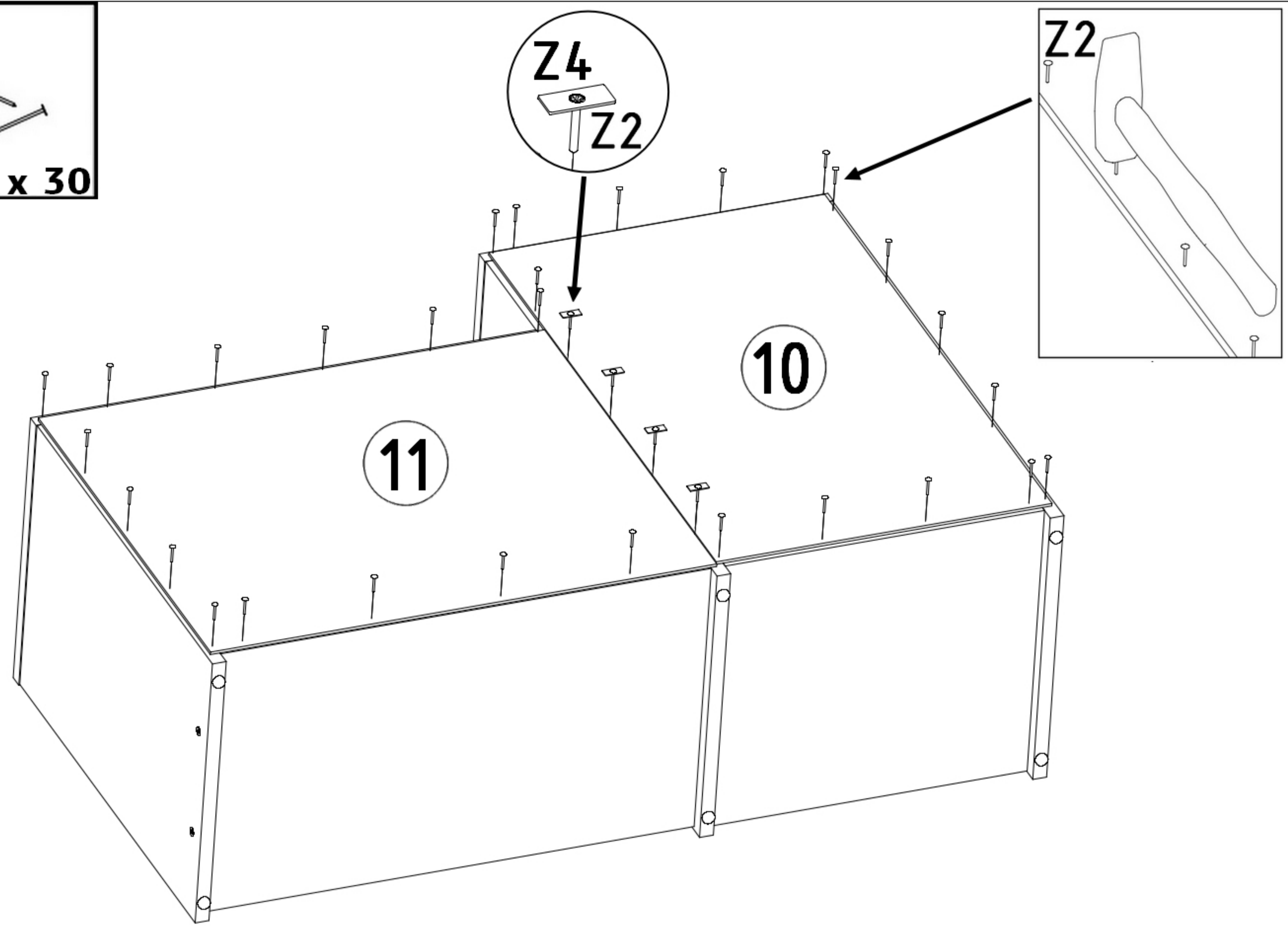



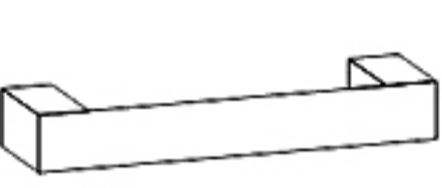
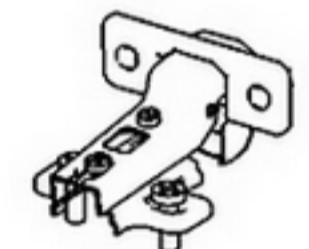

6





<p><b>Z4</b></p>  <p><b>x 4</b></p>	<p><b>Z2</b></p>  <p><b>x 30</b></p>
--	---



<p><b>S4</b></p>  <p><b>x 2</b></p>	<p><b>U4</b></p>  <p><b>x 1</b></p>	<p><b>A0</b></p>  <p><b>x 2</b></p>	<p><b>S1</b></p>  <p><b>x 4</b></p>
---	--	--	--

