






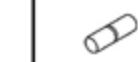

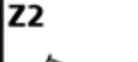

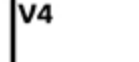
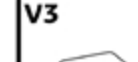
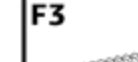
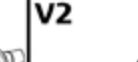
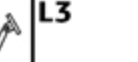
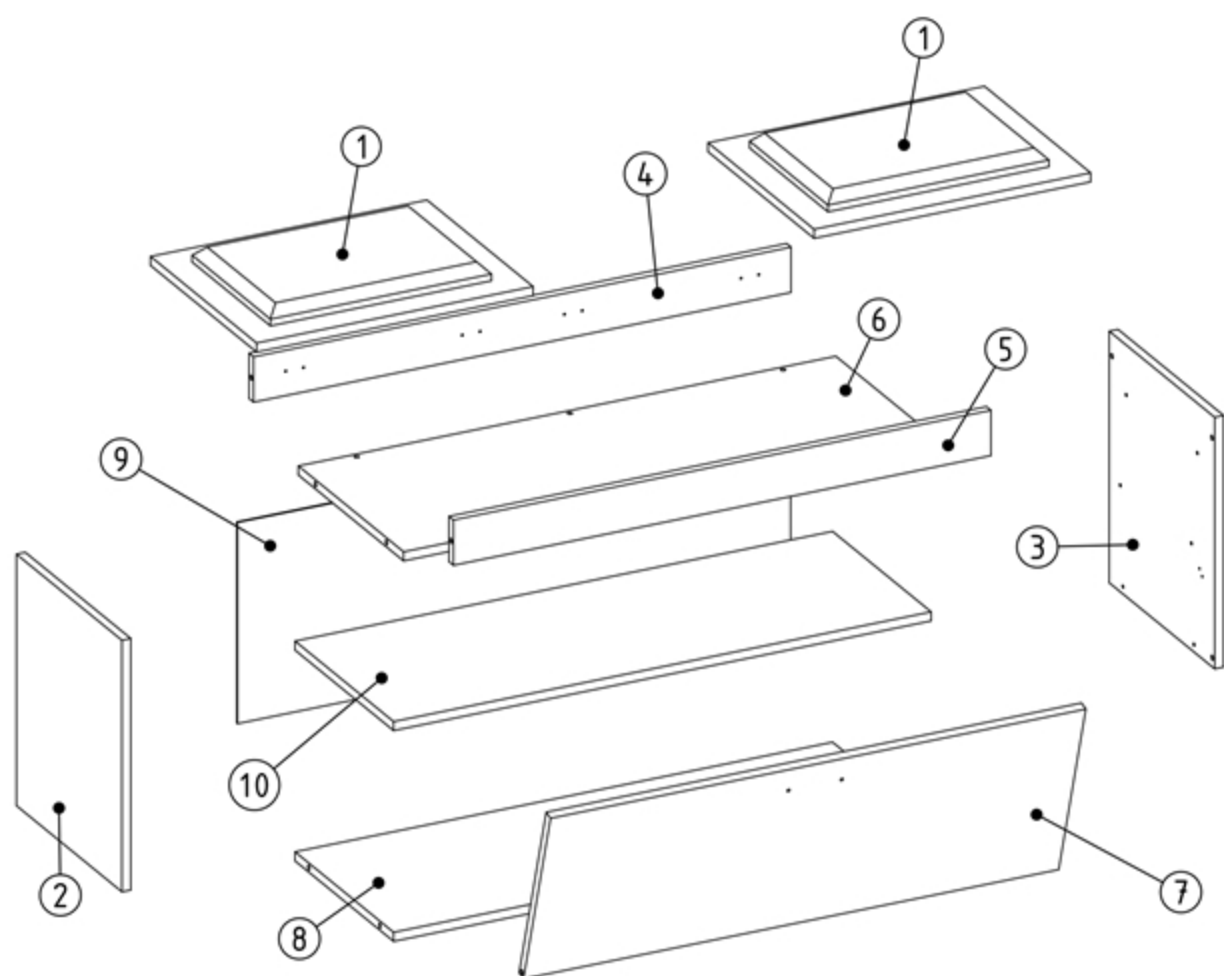


<b>U1</b>  L=137mm x1	<b>N2</b>  L=45mm x8	<b>P2</b>  4x27mm x2	<b>S1</b>  3,5x16mm x24	<b>E1</b>  8x35mm x6	<b>K1</b>  x1	<b>M3</b>  12x15mm x8	<b>D2</b>  L=15,5mm x4
<b>T1</b>  x4	<b>Z2</b>  x33	<b>A0</b>  ø35mm x4	<b>V4</b>  x1	<b>V3</b>  x1	<b>F3</b>  7x50mm x6	<b>V2</b>  x1	<b>L3</b>  ø16mm x4

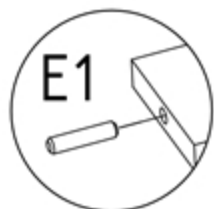
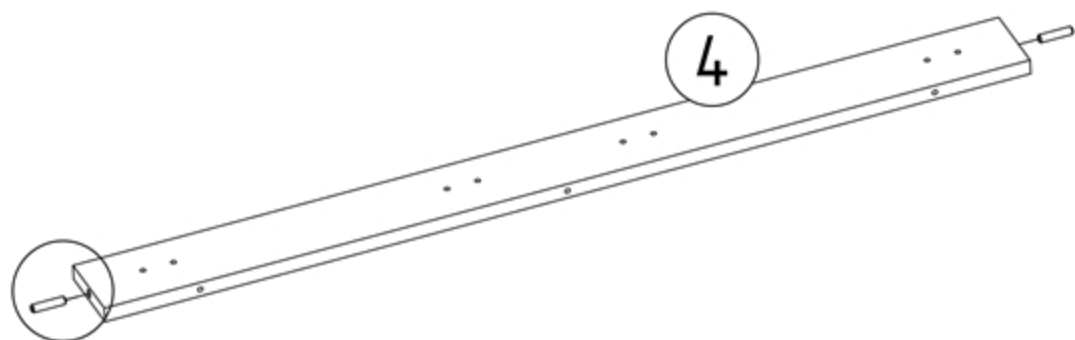
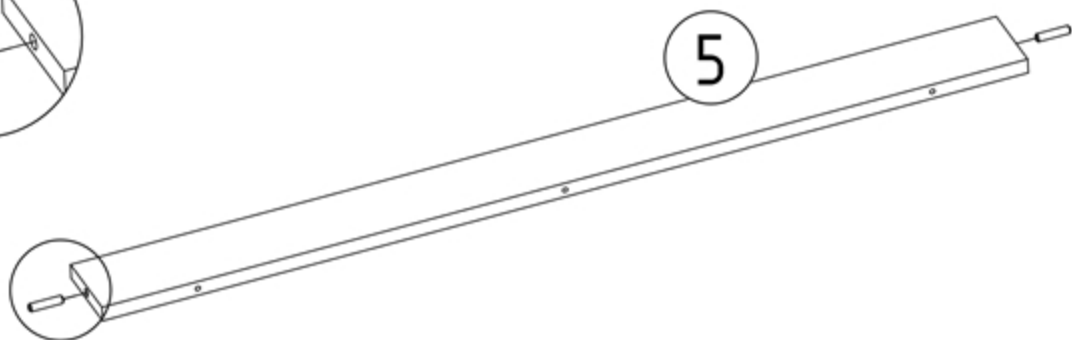


<b>1</b>	x	2
<b>2</b>	x	1
<b>3</b>	x	1
<b>4</b>	x	1
<b>5</b>	x	1

<b>6</b>	x	1
<b>7</b>	x	1
<b>8</b>	x	1
<b>9</b>	x	1
<b>10</b>	x	1

**E1**

8x35mm x4

**E1****M3**

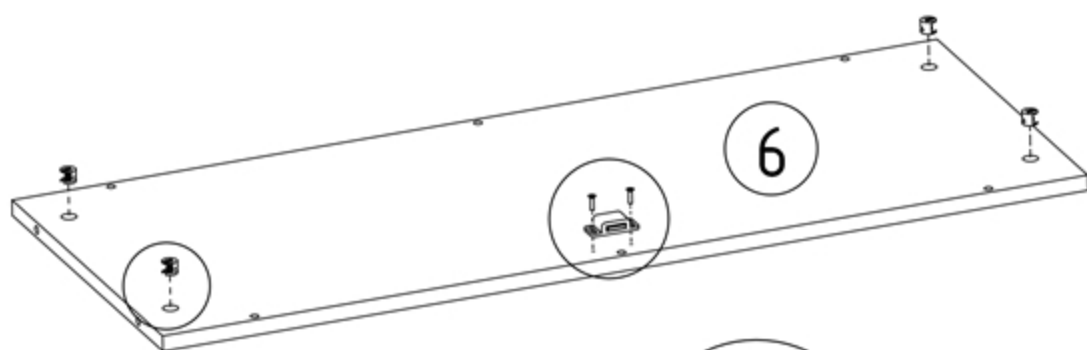
12x15mm x4

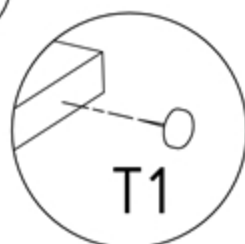
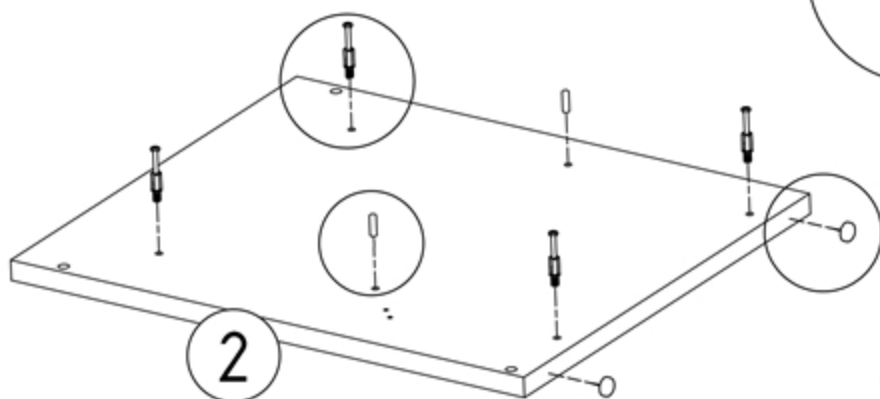
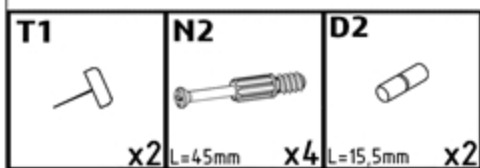
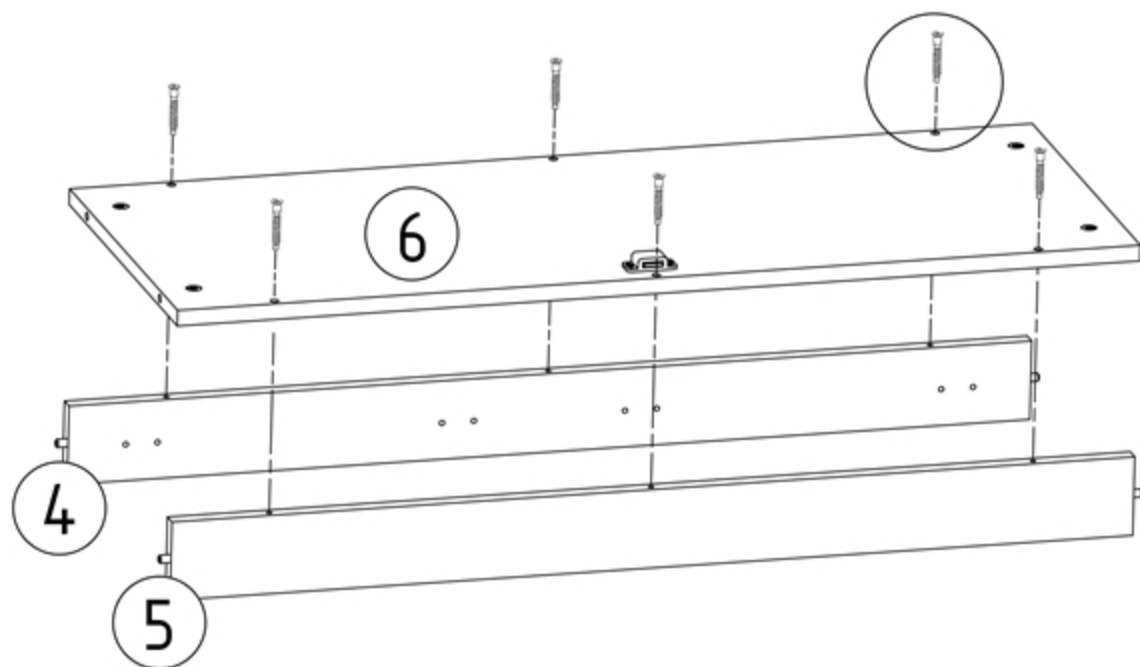
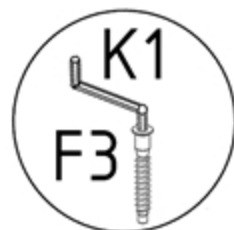
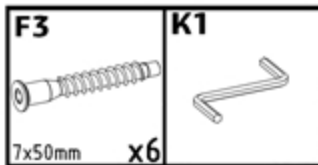
**V3**

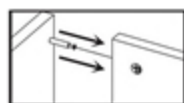
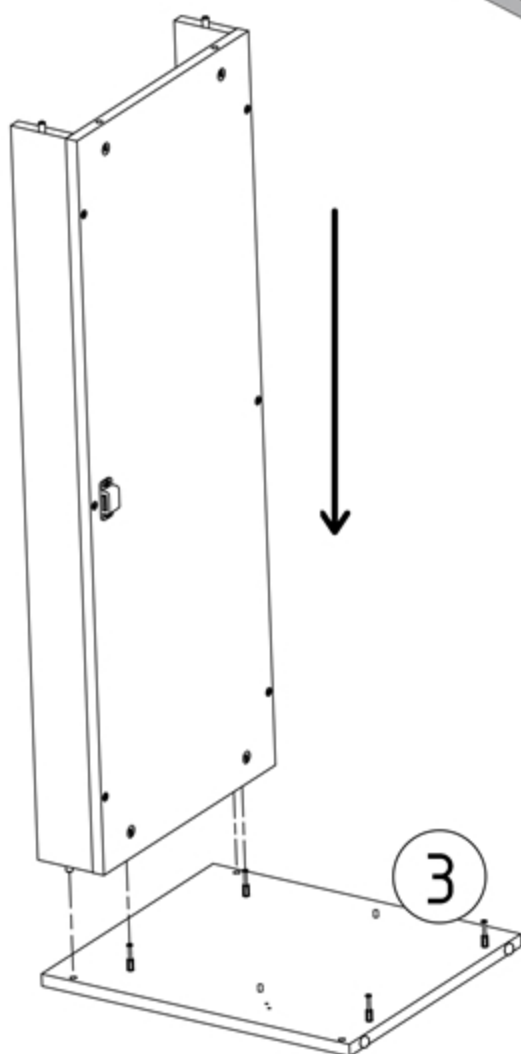
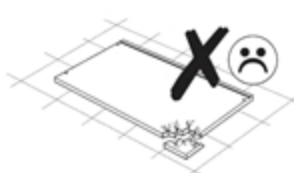
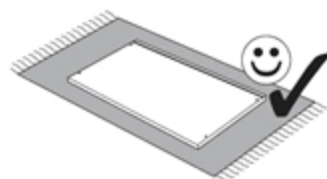
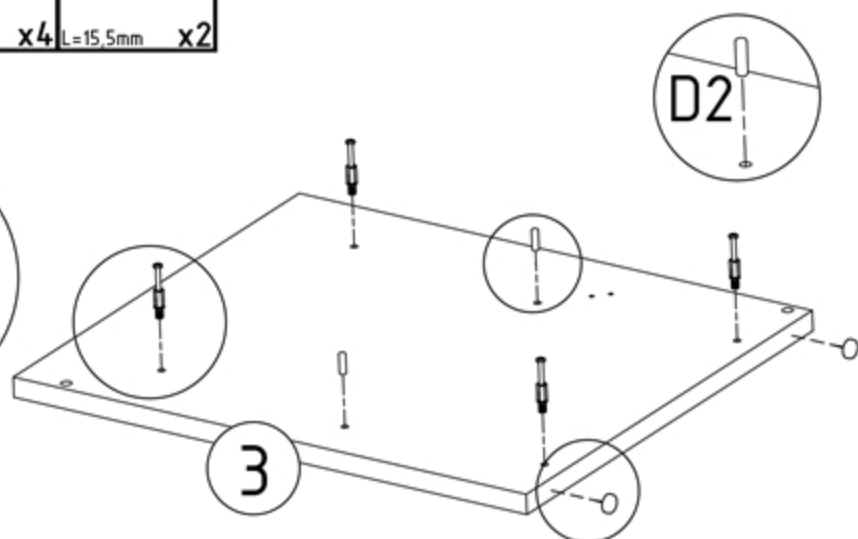
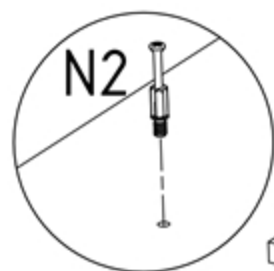
x1

**S1**

3.5x16mm x2

**M3****V3****S1**

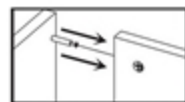
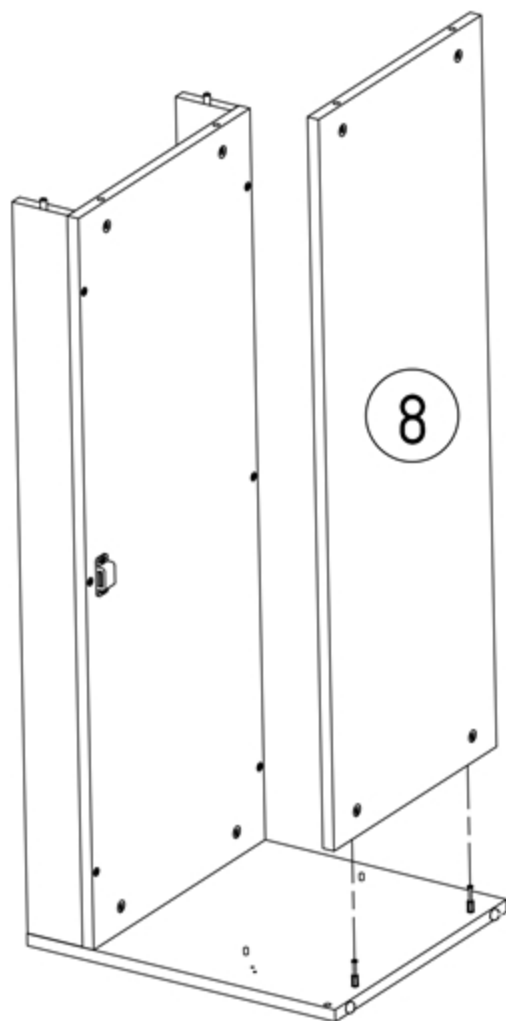
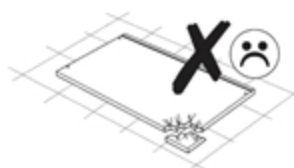
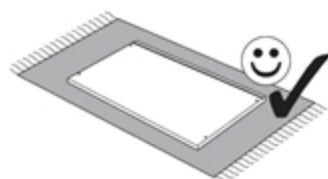
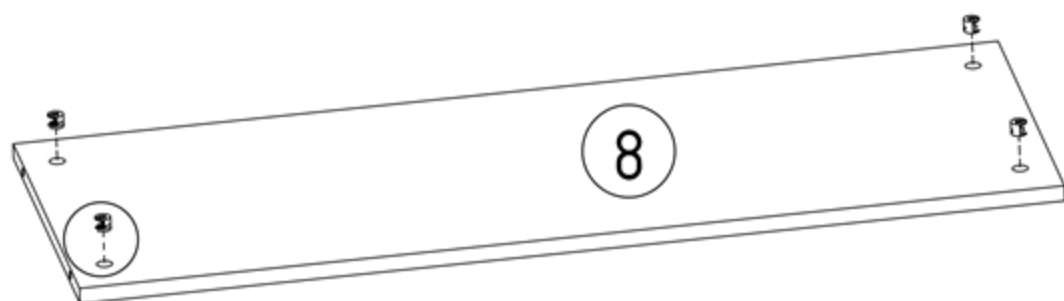




M3



12x15mm X4



V4



x1

S1



3,5x16mm

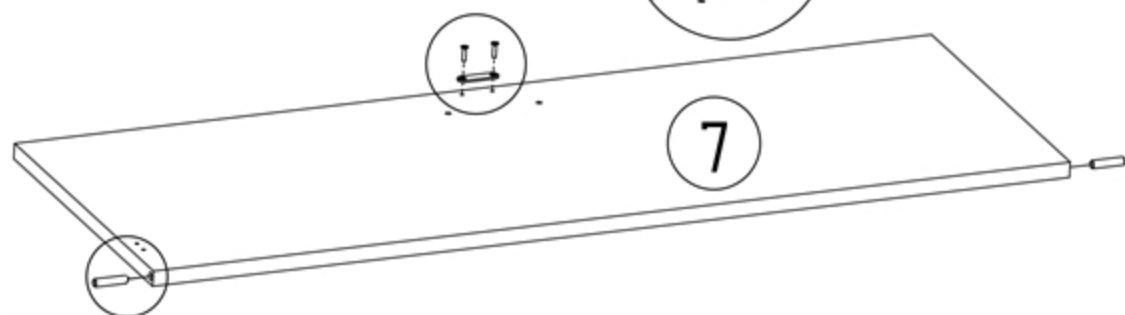
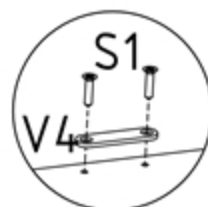
E1



x2

8x35mm

x2

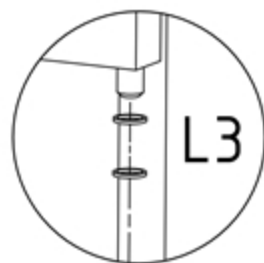
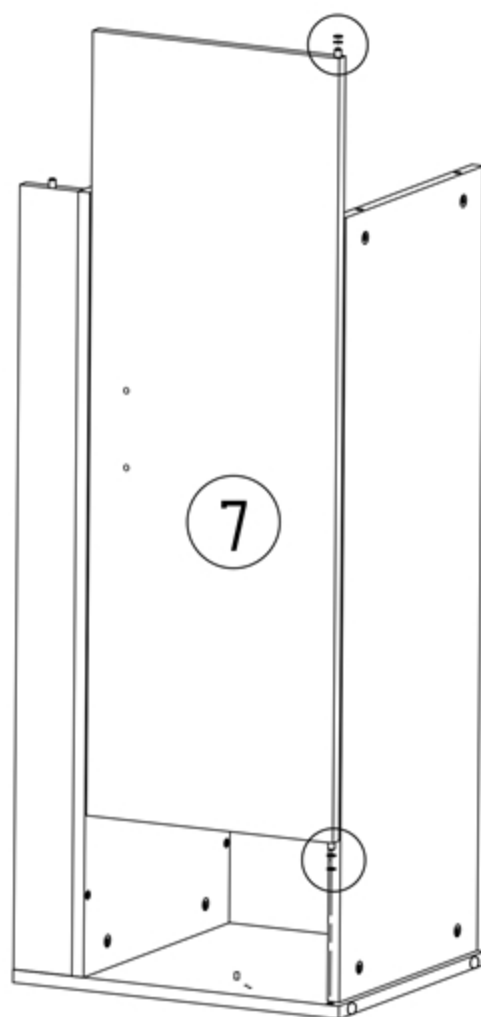
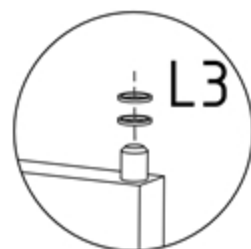


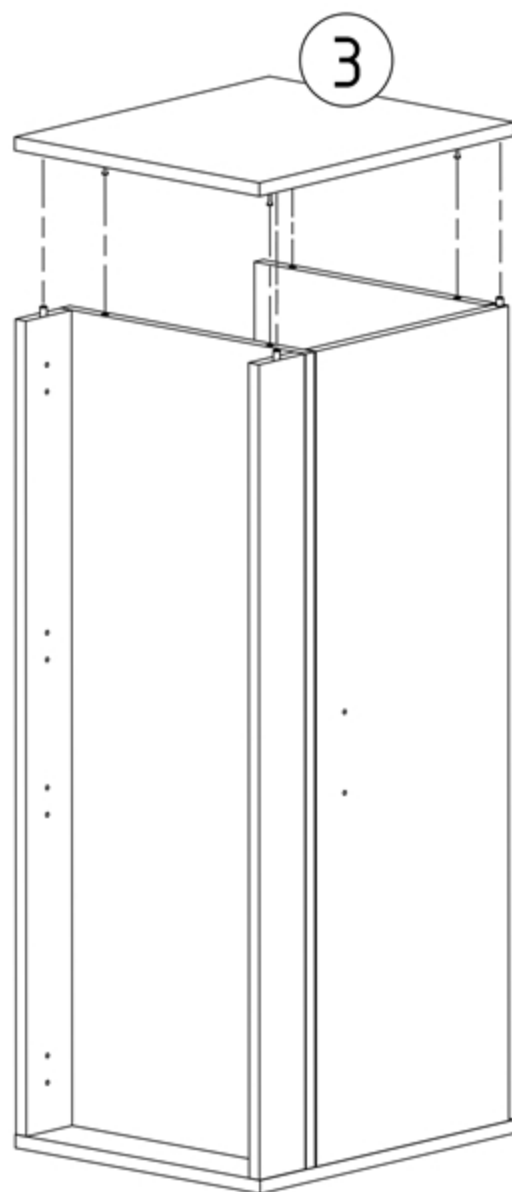
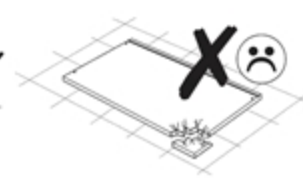
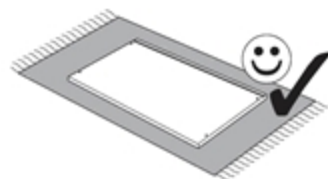
L3



ø=16mm

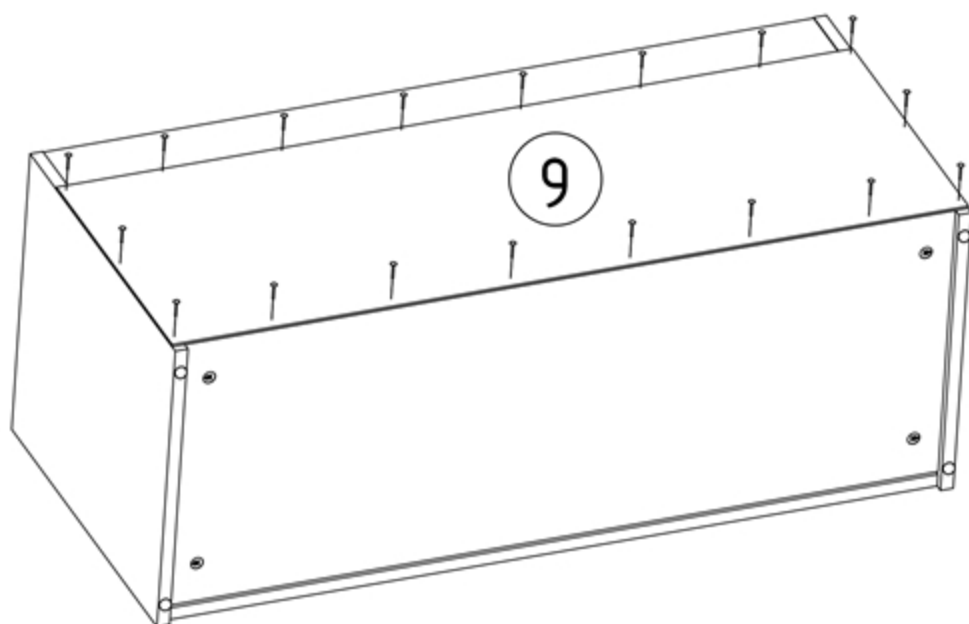
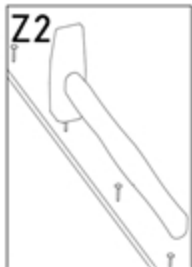
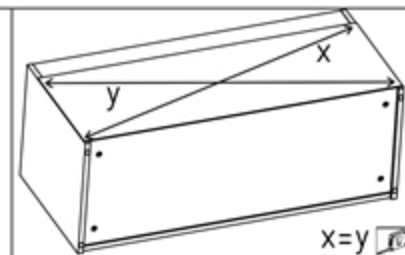
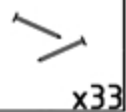
x4





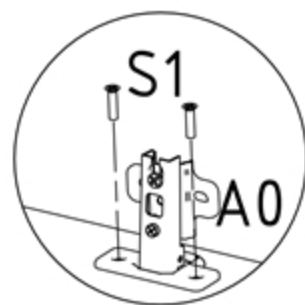
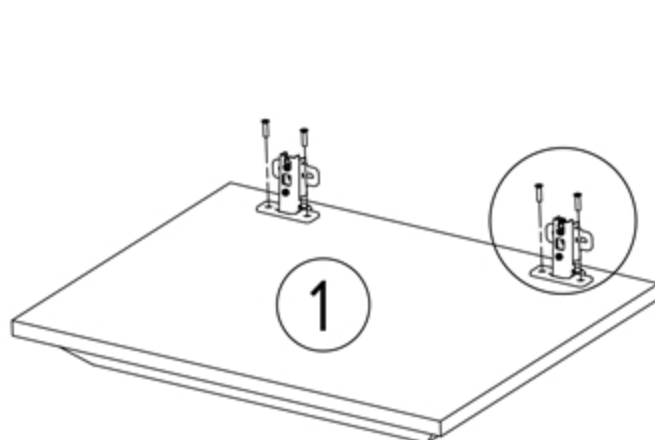


Z2



A0

S1

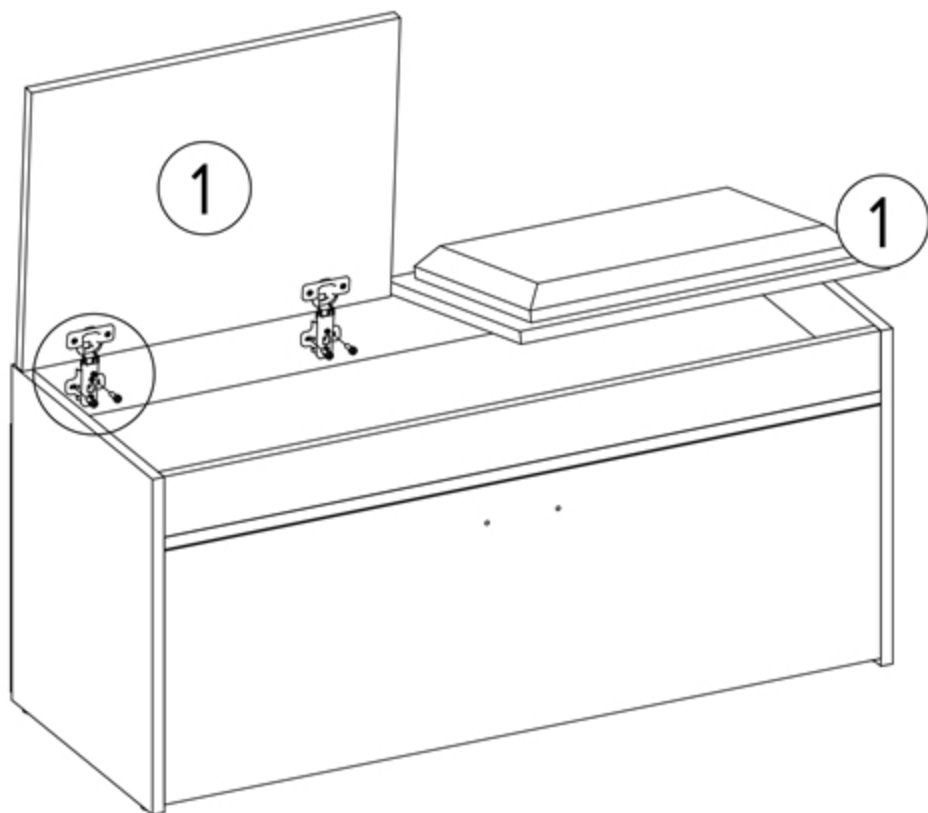
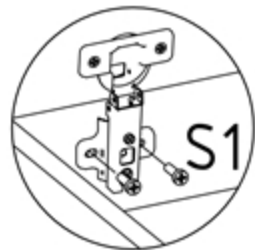


x2

S1



3,5x16mm x8



V2

S1

U1

P2



x1 3,5x16mm x4 L=137mm x1 4x27mm x2

