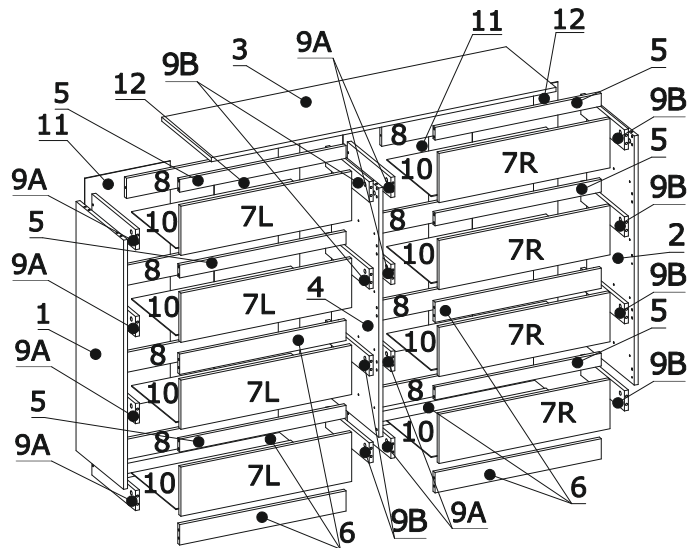
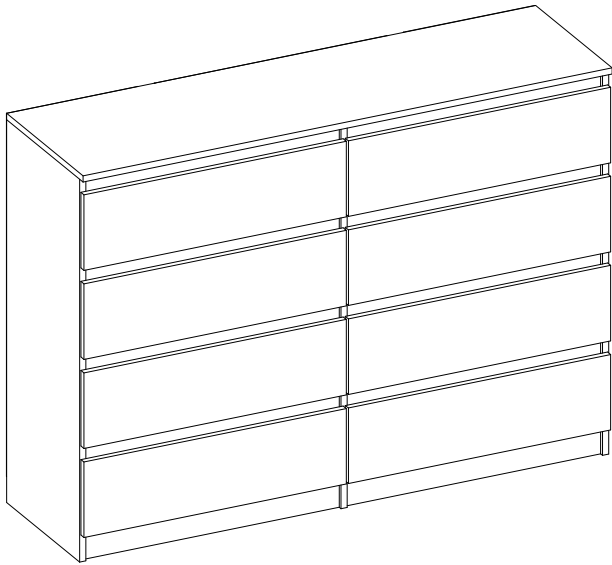


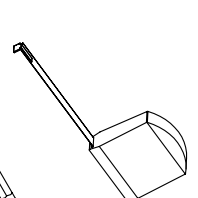
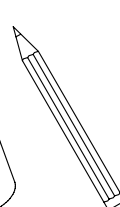
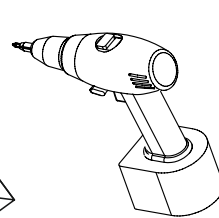
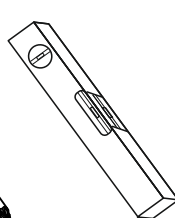
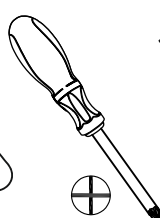
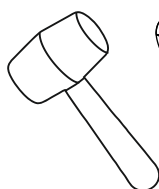
MALWA M8 140

Mebel należy montować na miękkim podłożu	Mebel należy konserwować typowymi środkami do konserwacji mebli	Furniture should be assembled on the soft surface	Piece of furniture should be preserved by the typical furniture care substances
--	---	---	---

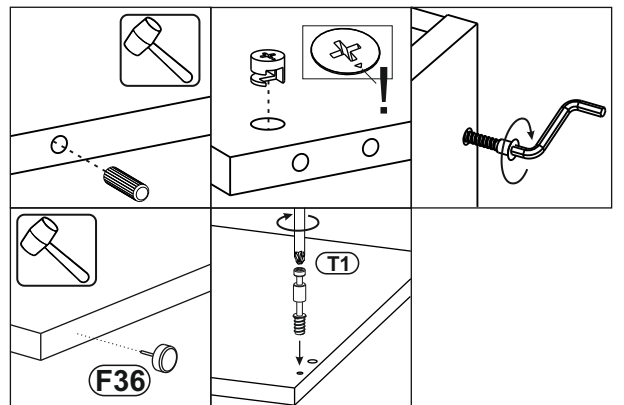
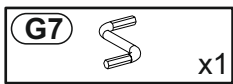
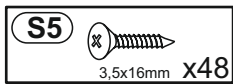
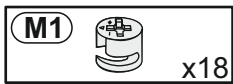
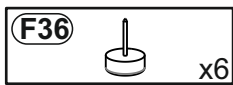
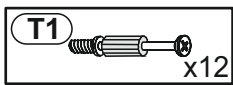
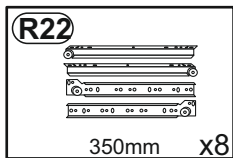
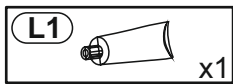
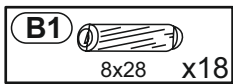
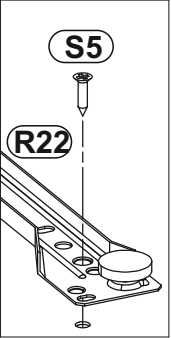
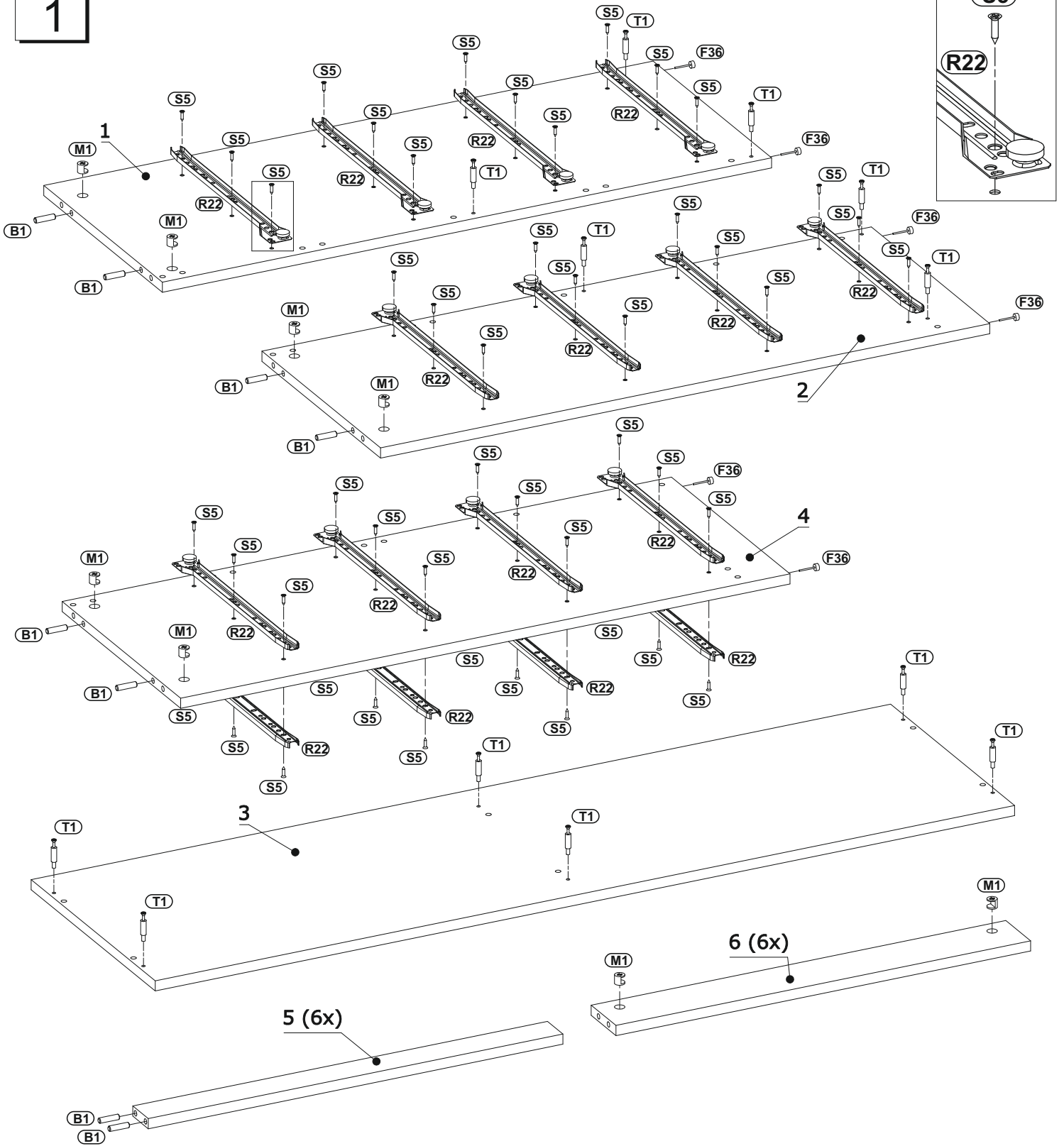


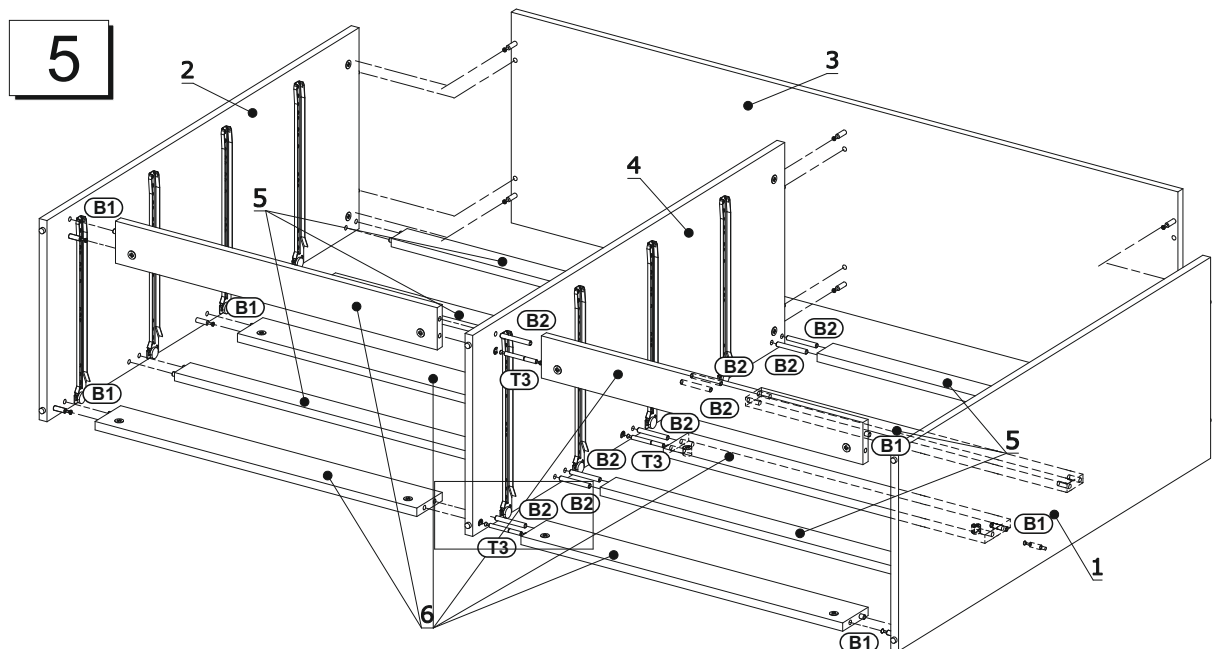
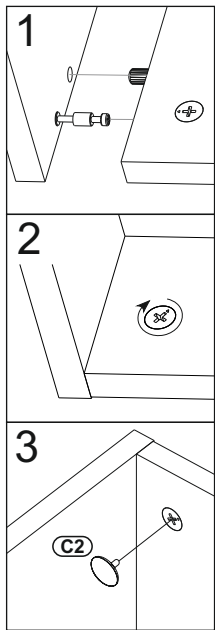
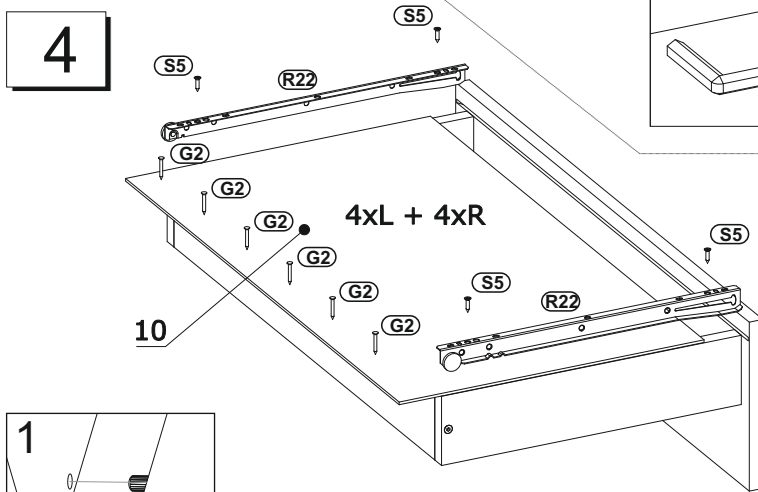
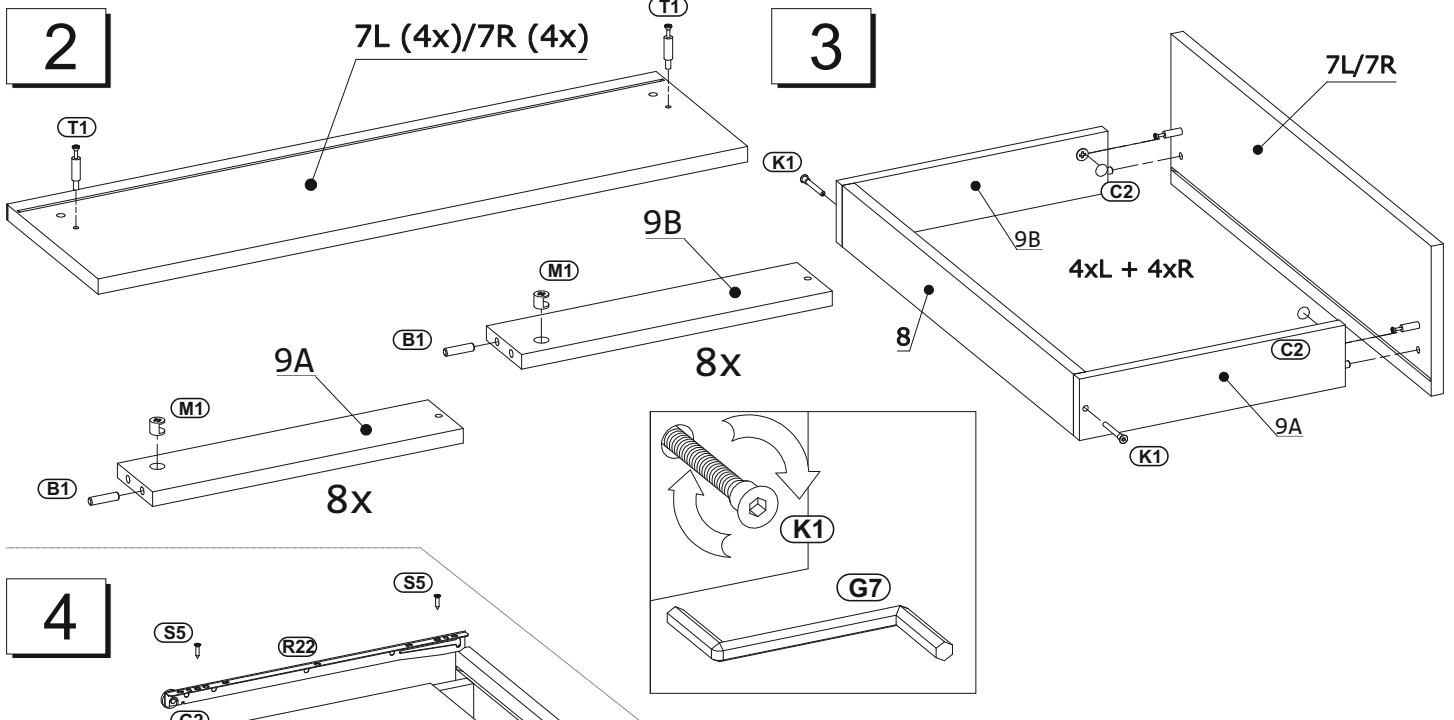
OKUCIE: / FITTINGS:

B1 8x28 x40	M1 x34	F1 x6	S5 3,5x16mm x86	R22 350mm x8
B2 8x52 x9	K1 7,0x50 x16	G2 1,4x25mm x100	T19 x2	
T1 x28	C2 x16	L1 x1		
T3 L-64 x3	G7 x1	F36 x6		

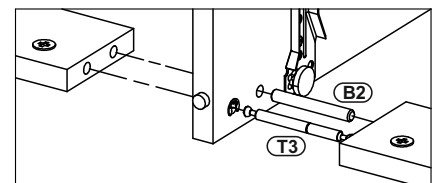


1


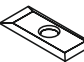



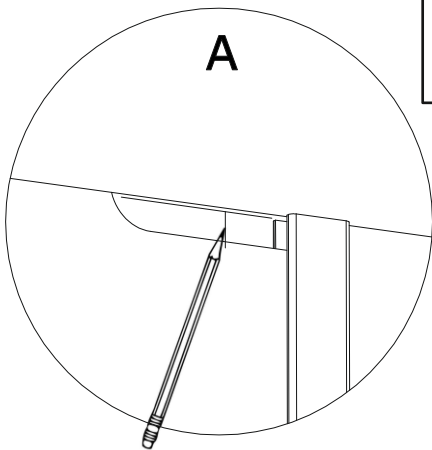
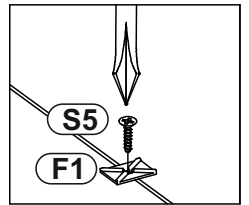
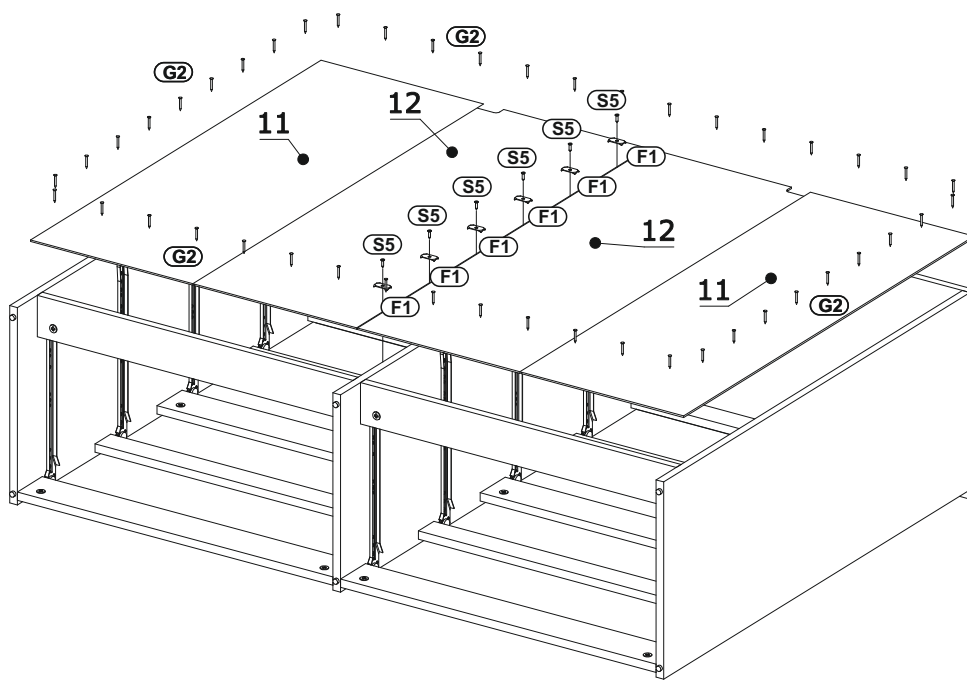


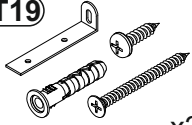
B1 8x28 x22	K1 7,0x50 x16	T3 L-64 x3
T1 x16	G7 x1	B2 8x50 x9
M1 x16	G2 1,4x25mm x48	R22 350mm x8
C2 x16	S5 3,5x16mm x32	



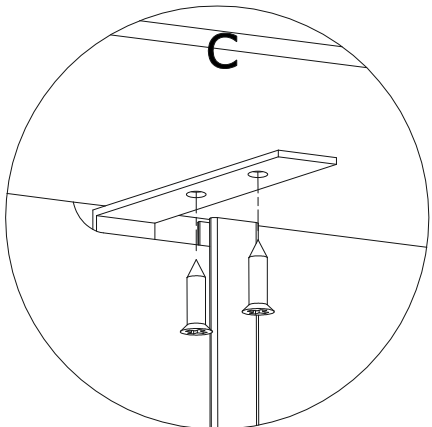
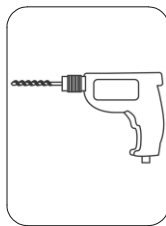
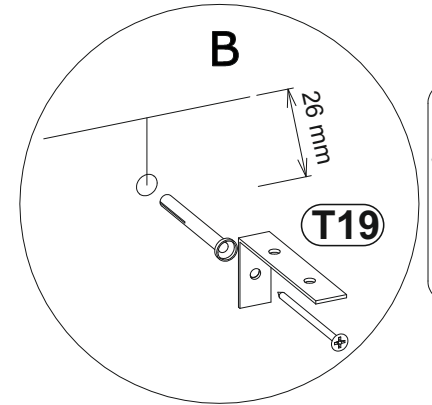
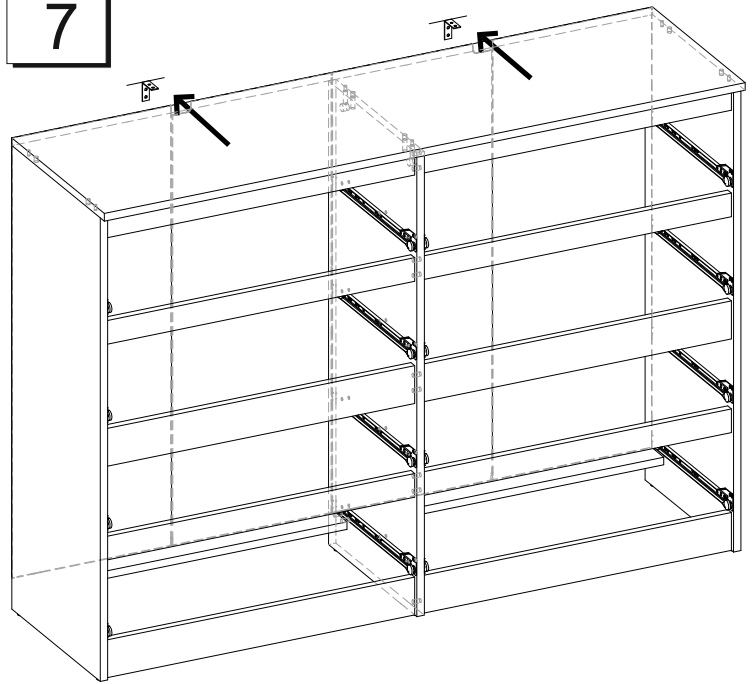
6

- G2**  1,4x25mm x52
- F1**  x6
- S5**  3,5x16mm x6



- T19**  x2

7



8

